

## Excellent Integrated System Limited

Stocking Distributor

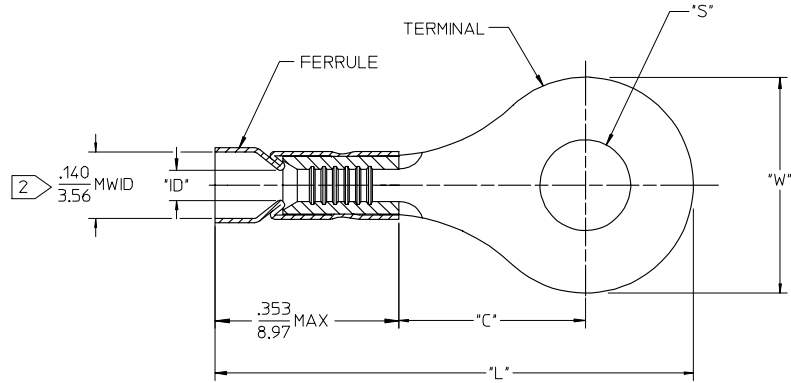
Click to view price, real time Inventory, Delivery & Lifecycle Information:

[Molex Connector Corporation](#)  
[0190720032](#)

For any questions, you can email us directly:

[sales@integrated-circuit.com](mailto:sales@integrated-circuit.com)

	10	9	8	7	6	5	4	3	2	19072	
MATERIAL NUMBER	ENGINEERING NUMBER	STUD SIZE	"S" ±.005/±0.13	STOCK THICKNESS REF	"W" ±.010/0.25	"C" MIN	"L" MAX	"ID" MIN			
190720019	AA-422-10	10	.198/3.02	.028/0.71	.467/11.86	.386/9.81	1.008/25.60	.062/1.57			
190720021	AA-422-14	14	.265/6.73								
190720023	AA-422-56	56	.328/8.33								
190720032	AA-432-04	04	.119/3.02								
190720034	AA-432-06	06	.146/3.71								
190720036	AA-432-08	08	.173/4.39								



NOTES:  
 1. MATERIAL: TERMINAL: COPPER  
 FUNNEL FERRULE: BRASS  
 PLATING: ELECTRO TIN.

2. MWD = MAXIMUM WIRE INSULATION.

SALES DRAWING

WAS A PART OF AA-ID-401-01 EC NO: ETC2005-0035 DRAWN: BENDERLE 2004/08/18 CHKDR: DEROSS 2004/08/18 APPR: DEROSS 2004/08/18	QUALITY SYMBOLS -0 -0	GENERAL TOLERANCES (UNLESS SPECIFIED)		SCALE NONE	DESIGN UNITS INCH	THIRD ANGLE PROJECTION REVISE ON CAD ONLY	
		4 PLACES ±	mm	INCH	DIMENSION STYLE IN/MM		TITLE RING TONGUE TERMINAL VIBRAKRIMP 22-18 AWG
		3 PLACES ±	mm	INCH	DRAWN BY BENDERLE	DATE 2004/08/18	MOLEX INCORPORATED SEE CHART
		2 PLACES ±	mm	INCH	CHECKED BY R DEROSS	DATE 2004/08/18	
1 PLACE ±	mm	INCH	ANGULAR ±1/2°		MATERIAL NO. SD-19072-002	DOCUMENT NO. 1 OF 1	
DRAFT WHERE APPLICABLE MUST REMAIN WITHIN DIMENSIONS		APPROVED BY R DEROSS		DATE 2004/08/18	THIS DRAWING CONTAINS INFORMATION THAT IS PROPRIETARY TO MOLEX INCORPORATED AND SHOULD NOT BE USED WITHOUT WRITTEN PERMISSION		