

Excellent Integrated System Limited

Stocking Distributor

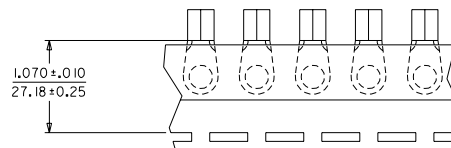
Click to view price, real time Inventory, Delivery & Lifecycle Information:

[Molex Connector Corporation](#)
[0191930205](#)

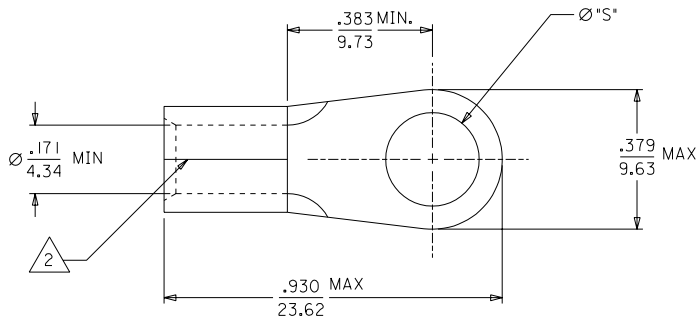
For any questions, you can email us directly:

sales@integrated-circuit.com

MATERIAL NUMBER	ENGINEERING NUMBER	STUD SIZE	"S" ±.003/(0.08)	PACKAGING
191930198	D-356-06	6	.146/(3.71)	LOOSE PIECE
191930200	D-356-08	8	.173/(4.39)	
191930202	D-356-10	10	.198/(5.03)	
191930204	D-356-14	14	.265/(6.73)	
191930199	D-356-06T	6	.146/(3.71)	TAPE
191930201	D-356-08T	8	.173/(4.39)	
191930203	D-356-10T	10	.198/(5.03)	
191930205	D-356-14T	14	.265/(6.73)	



TAPE MOUNTING LOCATION



SALES DRAWING

NOTES:

- 1. MATERIAL: COPPER
PLATING: ELECTRO-TIN.
- 2. BRAZED SEAM.

I WAS SD-19069-012 EC NO. ETC2003-0333 DRAWN BY: BRE 030623 CHK: HEB 030623 APPR: RWD 030623	QUALITY SYMBOLS MAJOR = 0 CRITICAL = 0 MINOR = 0	GENERAL TOLERANCES: (UNLESS SPECIFIED)	SCALE 4:1	DESIGN UNITS <input type="checkbox"/> mm <input checked="" type="checkbox"/> INCH	THIRD ANGLE PROJECTION	DIMENSIONS: <input type="checkbox"/> mm <input checked="" type="checkbox"/> INCH <input type="checkbox"/> mm ONLY	SHT REV
		DRAWN BY & DATE BRE 03/06/18	CHECKED BY & DATE HEB 03/06/18	APPROVED BY & DATE RWD 03/06/18	CAD FILENAME SD-19193-012_501	MATERIAL NO. SEE CHART	DRAWING NO. SD-19193-012