

Excellent Integrated System Limited

Stocking Distributor

Click to view price, real time Inventory, Delivery & Lifecycle Information:

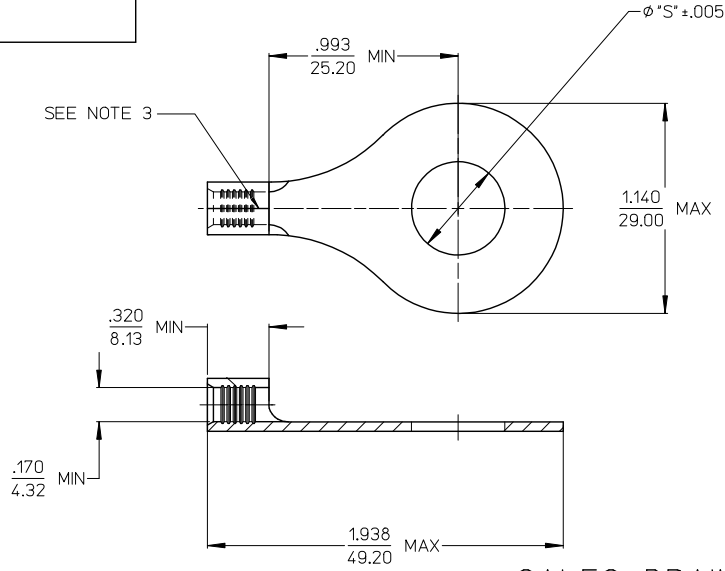
[Molex Connector Corporation](#)

[0191930193](#)

For any questions, you can email us directly:

sales@integrated-circuit.com

10	9	8	7	6	5	4	3	2	19193
MATERIAL NUMBER	ENGINEERING NUMBER	STUD SIZE	"S"	PACKAGING					
191930191	D-353-14	1/4	.265	<div style="border: 1px solid black; padding: 5px; display: inline-block;"> (B) LOOSE PIECE </div>					
191930194	D-353-56	5/16	.328						
191930193	D-353-38	3/8	.390						
191930196	D-353-76	7/16	.453						
191930190	D-353-12	1/2	.515						
191930195	D-353-58	5/8	.656						
191930192	D-353-34	3/4	.781						



SALES DRAWING

- NOTES:
1. MATERIAL: COPPER
PLATING: ELECTROPLATE TIN
 2. ALL DIMENSIONS IN INCHES/(MM).
 3. BRAZED SEAM.
 4. PART IS ROHS COMPLIANT.

CORRECTED 1/4 STUD EC NO: IPG2015-1900 DRAWN BY: JAS01 2015/05/18 CHKD: JMACNEIL 2015/05/18 APPR: JMACNEIL 2015/05/20	QUALITY SYMBOLS ▽=0 ▽=0	GENERAL TOLERANCES (UNLESS SPECIFIED)		DIMENSION STYLE		SCALE	DESIGN UNITS	THIRD ANGLE PROJECTION	
				IN/MM		2:1	INCH		
		4 PLACES ±---	±---	DRAWN BY	DATE	TITLE			
		3 PLACES ±---	±.005	ETHRODAHL	2008/02/21	RING TONGUE TERMINAL			
2 PLACES ±0.13	±.01	CHECKED BY	DATE	8 AWG VERSAKRIMP					
1 PLACE ±0.25	±---	JMACNEIL	2008/02/21	D-353 TONGUE					
ANGULAR ±---		APPROVED BY	DATE	Molex		MOLEX INCORPORATED			
DRAFT WHERE APPLICABLE MUST REMAIN WITHIN DIMENSIONS		JMACNEIL	2008/02/21	DOCUMENT NO.		SD-19193-037			
		SEE CHART		MATERIAL NO.		SHEET NO.			
				SIZE B		1 OF 1			
		THIS DRAWING CONTAINS INFORMATION THAT IS PROPRIETARY TO MOLEX INCORPORATED AND SHOULD NOT BE USED WITHOUT WRITTEN PERMISSION							