

Excellent Integrated System Limited

Stocking Distributor

Click to view price, real time Inventory, Delivery & Lifecycle Information:

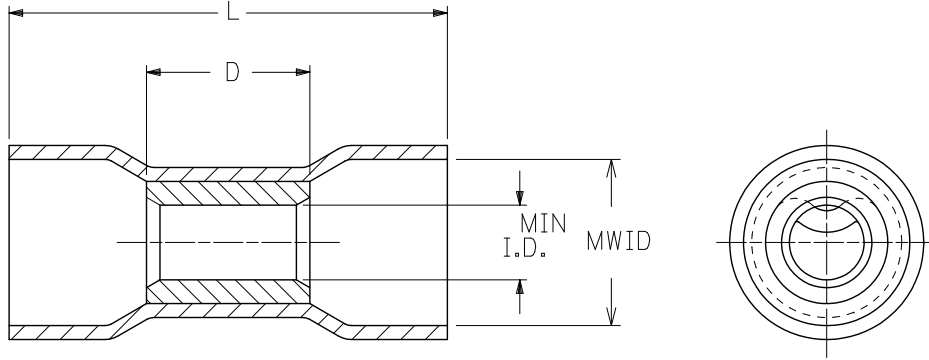
[Molex Connector Corporation](#)
[0192060013](#)

For any questions, you can email us directly:

sales@integrated-circuit.com

MATERIAL NUMBER	ENGINEERING P/N	WIRE SIZE	INSULATION COLOR	I.D. MIN.	MWID*	"D" MAX.	"L" MAX.
192060012	D-655X	8	RED	.165 / 4.19	.33 / 8.3 (A)	.398 / 10.11	1.07 / 27.2
192060013	E-66 IX	6	BLUE	.230 / 5.84	.44 / 11.1	.467 / 11.86	1.30 / 33.0
192060015	F-655X	4	YELLOW	.277 / 7.03	.60 / 15.2	.537 / 13.64	1.39 / 35.3

(A)



NOTES:

1. MATERIALS:

SPLICE: MATTE-TIN PLATED COPPER
INSULATION: PVC

2. MWID = MAXIMUM WIRE INSULATION DIAMETER
3. PARTS ARE ROHS COMPLIANT.

REDRAWN FROM DOC CD-21100

(A)

REDRAW, D MWID EC NO: WNA2011-0558 DRAWN: THRODAHL 2011/05/12 CHKD: JMACNEIL 2011/05/12 APPR: JMACNEIL 2011/05/12	QUALITY SYMBOLS ▽=0 ▽=0	GENERAL TOLERANCES (UNLESS SPECIFIED)		DIMENSION STYLE (A) IN/MM		SCALE ---	DESIGN UNITS INCH	THIRD ANGLE PROJECTION	
		4 PLACES ± --- ± ---	mm	INCH	DRAWN BY RCM	DATE 1996/04/15	TITLE INSULKRIMP SEAMLESS PARALLEL CONNECTORS SALES DRAWING		
		3 PLACES ± --- ± .005			CHECKED BY RWD	DATE 1996/04/15			
		2 PLACES ± 0.13 ± .01			APPROVED BY JMACNEIL		DATE 2011/05/12	MOLEX INCORPORATED DOCUMENT NO. SD-19206-001 (A)	
1 PLACE ± 0.25 ± ---			ANGULAR ± ---°					SHEET NO. 1 OF 1	
DRAFT WHERE APPLICABLE MUST REMAIN WITHIN DIMENSIONS				MATERIAL NO. SEE CHART					
				SIZE A		THIS DRAWING CONTAINS INFORMATION THAT IS PROPRIETARY TO MOLEX INCORPORATED AND SHOULD NOT BE USED WITHOUT WRITTEN PERMISSION			