

Excellent Integrated System Limited

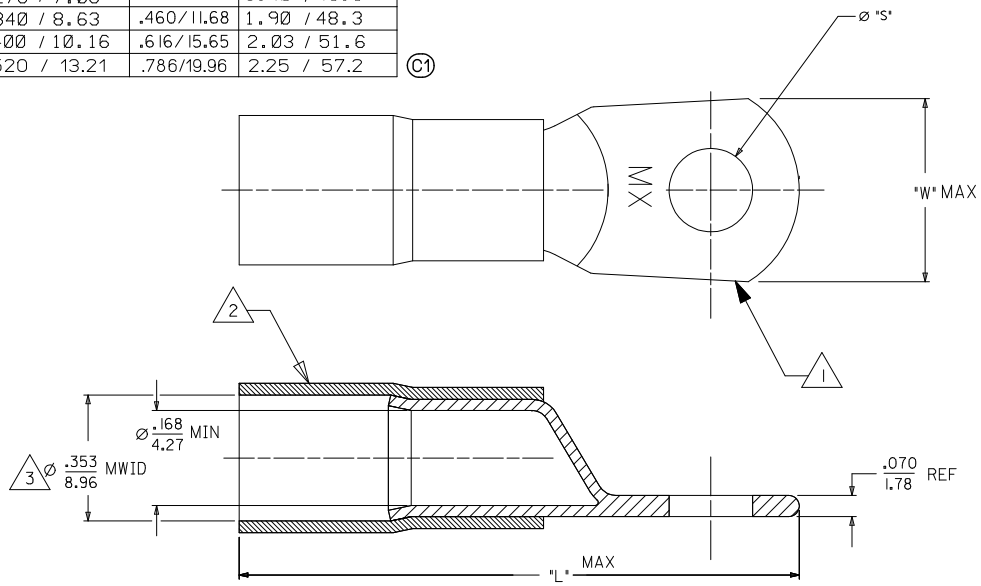
Stocking Distributor

Click to view price, real time Inventory, Delivery & Lifecycle Information:

[Molex Connector Corporation](#)
[0191640843](#)

For any questions, you can email us directly:
sales@integrated-circuit.com

10	9	8	7	6	5	4	3	2	19164
MATERIAL NUMBER	ENGINEERING NUMBER	STUD SIZE	"S" REF	"W" MAX	"L" MAX				
191640840	SD-810	#10	.214 / 5.44	.460/11.68	1.90 / 48.3				
191640884	SD-814	1/4	.278 / 7.06	.460/11.68	1.90 / 48.3				
191640842	SD-8516	5/16	.340 / 8.63	.460/11.68	1.90 / 48.3				
191640843	SD-838	3/8	.400 / 10.16	.616/15.65	2.03 / 51.6				
191641007	SD-812-XWP-PL	1/2	.520 / 13.21	.786/19.96	2.25 / 57.2				



- NOTES:
- 1. MATERIAL: TERMINAL: COPPER. PLATING: TIN
 - 2. INSULATION: HEAT SHRINKABLE TUBING W/HOT MELT ASHESIVE INNER LINER. COLOR: RED
 - 3. MWID = MAXIMUM WIRE INSULATION DIAMETER.
 - 4. ASSEMBLY IS ROHS COMPLIANT.

SALES DRAWING

REVISE DIMENSION L MAX E.C. NO: IPG2015-0652 DRAWN BY: JAS01 2014/10/08 CHKD: MACNEIL 2014/10/08 APPR: MACNEIL 2014/10/14	QUALITY SYMBOLS	GENERAL TOLERANCES (UNLESS SPECIFIED)	DIMENSION STYLE IN/MM	SCALE ---	DESIGN UNITS INCH	THIRD ANGLE PROJECTION																												
	$\nabla=0$ $\nabla=0$	<table border="1"> <thead> <tr> <th></th> <th>mm</th> <th>INCH</th> </tr> </thead> <tbody> <tr> <td>4 PLACES</td> <td>±---</td> <td>±---</td> </tr> <tr> <td>3 PLACES</td> <td>±---</td> <td>±---</td> </tr> <tr> <td>2 PLACES</td> <td>±---</td> <td>±---</td> </tr> <tr> <td>1 PLACE</td> <td>±---</td> <td>±---</td> </tr> </tbody> </table>		mm	INCH	4 PLACES	±---	±---	3 PLACES	±---	±---	2 PLACES	±---	±---	1 PLACE	±---	±---	<table border="1"> <tr> <td>DRAWN BY</td> <td>DATE</td> </tr> <tr> <td>BRE</td> <td>04/02/11</td> </tr> <tr> <td>CHECKED BY</td> <td>DATE</td> </tr> <tr> <td>HEB</td> <td>04/02/11</td> </tr> <tr> <td>APPROVED BY</td> <td>DATE</td> </tr> <tr> <td>RWD</td> <td>04/02/11</td> </tr> </table>	DRAWN BY	DATE	BRE	04/02/11	CHECKED BY	DATE	HEB	04/02/11	APPROVED BY	DATE	RWD	04/02/11	TITLE			
		mm	INCH																															
	4 PLACES	±---	±---																															
3 PLACES	±---	±---																																
2 PLACES	±---	±---																																
1 PLACE	±---	±---																																
DRAWN BY	DATE																																	
BRE	04/02/11																																	
CHECKED BY	DATE																																	
HEB	04/02/11																																	
APPROVED BY	DATE																																	
RWD	04/02/11																																	
		DRAFT WHERE APPLICABLE MUST REMAIN WITHIN DIMENSIONS	SEE CHART																															
			MATERIAL NO.	DOCUMENT NO.																														
						SHEET NO. 1 OF 1																												