

Excellent Integrated System Limited

Stocking Distributor

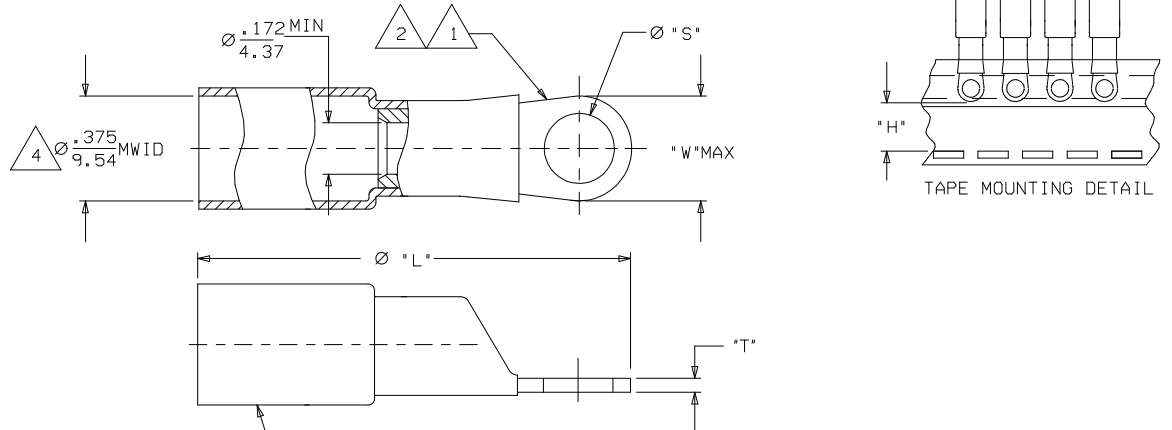
Click to view price, real time Inventory, Delivery & Lifecycle Information:

[Molex Connector Corporation](#)
[0191640839](#)

For any questions, you can email us directly:

sales@integrated-circuit.com

10	9	8	7	6	5	4	3	2	19164				
MATERIAL NUMBER	ENGINEERING NUMBER	MATERIAL NUMBER ON TAPE	ENGINEERING NUMBER ON TAPE	"L" MAX	"S" ±.010 (0.25) (H1)	"W" MAX	"H" ±.010 (0.25)	"T" REF					
191640889	SD-656-08	N/A	N/A	1.60 (40.6)	.173 (4.39)	.38 (9.7)	N/A	.045/1.14					
191640880	SD-656-10	N/A	N/A	1.60 (40.6)	.198 (5.03)	.38 (9.7)	N/A	.045/1.14					
191640881	SD-651-14	191640603	SD-651-14T	1.79 (45.5)	.265 (6.73)	.60 (15.2)	.348 (8.84)	.045/1.14					
191640883	SD-651-56	191640605	SD-651-56T	1.79 (45.5)	.328 (8.33)	.60 (15.2)	.348 (8.84)	.045/1.14					
191640882	SD-652-38	N/A	N/A	2.05 (51.1)	.390 (9.91)	.82 (20.8)	N/A	.050/1.27					
191640839	SD-652-76	N/A	N/A </tr <tr> <td>191640457</td> <td>SD-652-12</td> <td>N/A</td> <td>N/A</td> <td>2.05 (52.1)</td> <td>.515 (13.08)</td> <td>.82 (20.8)</td> <td>N/A</td> <td>.050/1.27</td> <td></td> </tr>	191640457	SD-652-12	N/A	N/A	2.05 (52.1)	.515 (13.08)	.82 (20.8)	N/A	.050/1.27	
191640457	SD-652-12	N/A	N/A	2.05 (52.1)	.515 (13.08)	.82 (20.8)	N/A	.050/1.27					



NOTE(S):

- 1 TERMINAL MATERIAL: COPPER ALLOY.
- 2 FINISH: ELECTRO TIN PLATE.
- 3 INSULATION MATERIAL: HEAT SHRINKABLE TUBING WITH HOTMELT ASHESIVE INNER LINER. COLOR: RED.
- 4 MWID - MAXIMUM WIRE INSULATION DIAMETER.
- 5. ASSEMBLY IS ROHS COMPLIANT.

TYPICAL DIMS EC NO: ICG2014-1619 DRAWN BY: J. WICK CHKD: JACQUEL APPR: JACQUEL 2014/03/14 2014/03/21 2014/04/21	QUALITY SYMBOLS	GENERAL TOLERANCES (UNLESS SPECIFIED)		DIMENSION STYLE IN/MM		SCALE 1:1	DESIGN UNITS INCH	THIRD ANGLE PROJECTION
	▽=0	mm	INCH	DRAWN BY	DATE	TITLE		
	▽=0	4 PLACES ±---	±---	R DEROSS	2005/01/04	RING TONGUE TERMINAL PERMA-SEAL SD-600-SERIES 8 AWG		
	▽=0	3 PLACES ±---	±---	CHECKED BY	DATE	MOLEX INCORPORATED		
		2 PLACES ±---	±---	R DEROSS	2005/01/04	SD-19164-023		
		1 PLACE ±---	±---	APPROVED BY	DATE	SHEET NO. 1 OF 1		
		ANGULAR ±---	°	R DEROSS	2005/01/04	THIS DRAWING CONTAINS INFORMATION THAT IS PROPRIETARY TO MOLEX INCORPORATED AND SHOULD NOT BE USED WITHOUT WRITTEN PERMISSION		
		DRAFT WHERE APPLICABLE MUST REMAIN WITHIN DIMENSIONS		SEE CHART				