

## Excellent Integrated System Limited

Stocking Distributor

Click to view price, real time Inventory, Delivery & Lifecycle Information:

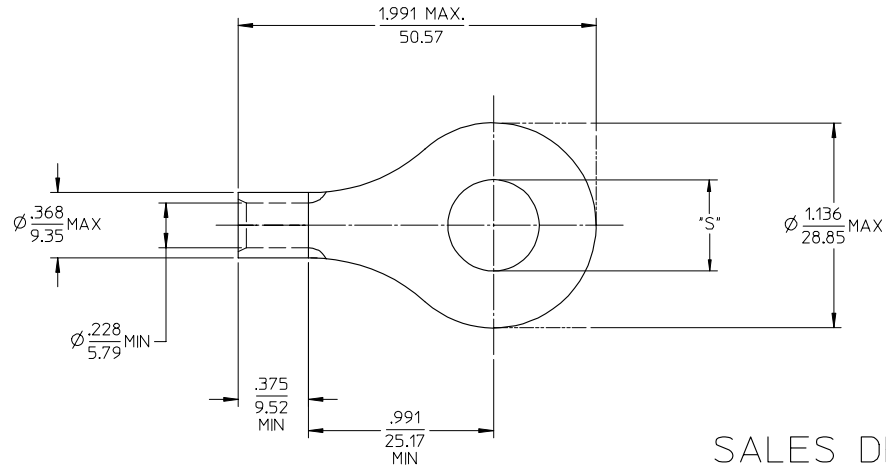
[Molex Connector Corporation](#)  
[0191930241](#)

For any questions, you can email us directly:

[sales@integrated-circuit.com](mailto:sales@integrated-circuit.com)

10 9 8 7 6 5 4 3 2 19193

MATERIAL NO. LOOSE PIECE	ENG. NO.	STUD SIZE	±.003 *S*	STOCK THICKNESS
191930237	E-359-14	1/4	.265	.050/(1.27) (B)
191930240	E-359-56	5/16	.328	
191930239	E-359-38	3/8	.390	
191930242	E-359-76	7/16	.453	
191930236	E-359-12	1/2	.515	
191930241	E-359-58	5/8	.656	
191930238	E-359-34	3/4	.781	



SALES DRAWING

NOTE(S):

1. MATERIAL: COPPER
2. PLATING: ELECTROPLATE TIN
3. ALL DIMENSIONS IN INCHES/(MM).
4. WIRE SIZE: 6 AWG  
16 MM<sup>2</sup>

(B) 5. PART IS ROHS COMPLIANT.

REVISED MATL THKNS EC NO: ETC2007-0003 2006/07/12 DIPRINSHEILLE 2006/07/19 CHKCD: JIMACNEIL APPR: REROSS 2006/07/26	QUALITY SYMBOLS ▽=0 ▽=0	GENERAL TOLERANCES (UNLESS SPECIFIED)		DIMENSION STYLE IN/MM	SCALE 2:1	DESIGN UNITS INCH	THIRD ANGLE PROJECTION	
		4 PLACES ± --- ± ---	3 PLACES ± --- ± .005	2 PLACES ± 0.13 ± .01	1 PLACE ± 0.25 ± ---	ANGULAR ± 1/2°	DRAWN BY DLM DATE 03/07/28	CHECKED BY HEB DATE 03/07/28
DRAFT WHERE APPLICABLE MUST REMAIN WITHIN DIMENSIONS		MATERIAL NO. SEE CHART		APPROVED BY RWD DATE 03/07/28		DOCUMENT NO. SD-19193-031		
SIZE B		THIS DRAWING CONTAINS INFORMATION THAT IS PROPRIETARY TO MOLEX INCORPORATED AND SHOULD NOT BE USED WITHOUT WRITTEN PERMISSION						SHEET NO. 1 OF 1

9 8 7 6 5 4 3 2 1