

## Excellent Integrated System Limited

Stocking Distributor

Click to view price, real time Inventory, Delivery & Lifecycle Information:

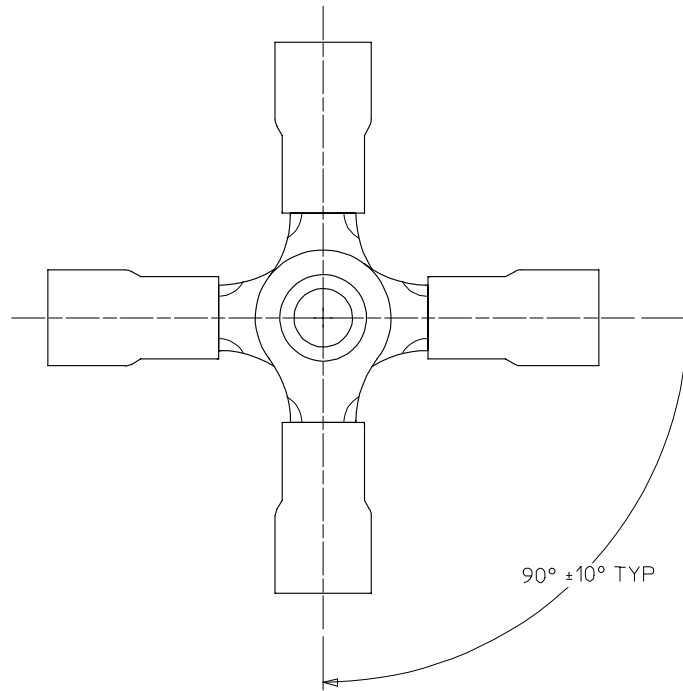
[Molex Connector Corporation](#)  
[0191640284](#)

For any questions, you can email us directly:

[sales@integrated-circuit.com](mailto:sales@integrated-circuit.com)

19204

ASSEMBLY NUMBER	
MATERIAL NUMBER	ENGINEERING NUMBER
192040001	A-1XC
192040003	A-2XCX
192040006	A-3XC
192040008	A-5XC
192040011	B-1XC
192040013	B-2XCX
192040015	B-3XC
192040017	B-5XC
192040021	B-8XC
192040023	C-1XC
192040025	C-2XCX
192040027	C-3XC
192040029	C-5XC
192040019	C-8XC
191640284	SA-2XCX
191640041	SB-2XCX
191640285	SC-2XCX



SALES DRAWING

WAS: 6525-01/C-02/C EC NO: ETC2003-0305 DRWN: DMYRICK 2003/05/16 CHKD: RWD 2003/05/16 APPR: RDEROSS 2003/05/16	QUALITY SYMBOLS	GENERAL TOLERANCES (UNLESS SPECIFIED)	SCALE NTS	DESIGN UNITS INCH	THIRD ANGLE PROJECTION	REVISE ON CAD ONLY															
	▴ - 0 ▽ - 0	<table border="1"> <thead> <tr> <th></th> <th>mm</th> <th>INCH</th> </tr> </thead> <tbody> <tr> <td>4 PLACES</td> <td>± ---</td> <td>± ---</td> </tr> <tr> <td>3 PLACES</td> <td>± ---</td> <td>± .005</td> </tr> <tr> <td>2 PLACES</td> <td>± 0.13</td> <td>± .01</td> </tr> <tr> <td>1 PLACE</td> <td>± 0.25</td> <td>± ---</td> </tr> </tbody> </table> ANGULAR ±1/2°		mm	INCH	4 PLACES	± ---	± ---	3 PLACES	± ---	± .005	2 PLACES	± 0.13	± .01	1 PLACE	± 0.25	± ---	DIMENSION STYLE IN/MM DRAWN BY RWD DATE 03/05/14 CHECKED BY RWD DATE 03/05/14 APPROVED BY RWD DATE 03/05/14			
		mm	INCH																		
	4 PLACES	± ---	± ---																		
3 PLACES	± ---	± .005																			
2 PLACES	± 0.13	± .01																			
1 PLACE	± 0.25	± ---																			
	DRAFT WHERE APPLICABLE MUST REMAIN WITHIN DIMENSIONS																				
					TITLE: 4-WAY CONNECTOR ASSEMBLY MOLEX INCORPORATED MATERIAL NO. (SEE CHART)   DOCUMENT NO. SD-19204-002   SHEET NO. 1 OF 1																