

Excellent Integrated System Limited

Stocking Distributor

Click to view price, real time Inventory, Delivery & Lifecycle Information:

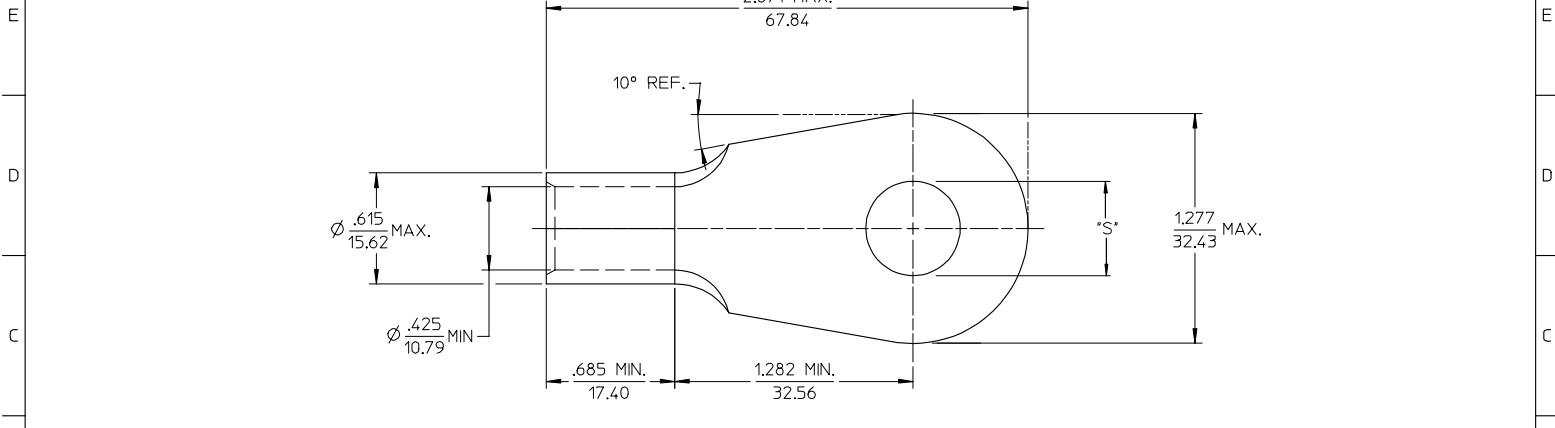
[Molex Connector Corporation](#)
[0191930340](#)

For any questions, you can email us directly:

sales@integrated-circuit.com

10 9 8 7 6 5 4 3 2 19193

MATERIAL NO.	ENG. NO.	STUD SIZE	±.003 *S*	STOCK THICKNESS
191930338	H-382-38	3/8	.390	.075 (1.90)
191930336	H-382-12	1/2	.515	
191930339	H-382-58	5/8	.656	
191930337	H-382-34	3/4	.781	
191930340	H-382-78	7/8	.906	



SALES DRAWING

- NOTE(S):
1. MATERIAL: COPPER
 2. PLATING ELECTROPLATE TIN.
 3. ALL DIMENSIONS IN INCHES/(MM)
 4. WIRE SIZE: 1/0 AWG
50 MM²

REVISED/UPDATE TO MX STD EC NO. ETC2003-0315 DRAWN: JMYRIEK 2003/08/20 CHKD: HEB 2003/08/21 APPR: RDBROSS 2003/08/21	QUALITY SYMBOLS -0 -0	GENERAL TOLERANCES (UNLESS SPECIFIED)		SCALE 2:1	DESIGN UNITS INCH	THIRD ANGLE PROJECTION	REVISE ON CAD ONLY		
				DIMENSION STYLE IN/MM		TITLE RING TONGUE TERMINAL VERSAKRIMP SERIES 1/0 AWG			
				DRAFT WHERE APPLICABLE MUST REMAIN WITHIN DIMENSIONS		DRAWN BY DLM	DATE 03/06/13	MOLEX INCORPORATED	
						CHECKED BY HEB	DATE 03/06/13	MATERIAL NO. (SEE CHART)	DOCUMENT NO. SD-19193-021
A	REV			APPROVED BY RWD	DATE 03/06/13	SHEET NO. 1 OF 1			

16_frame_B rev. B1 2000/08/01 8 7 6 5 4 3 2 1