

Excellent Integrated System Limited

Stocking Distributor

Click to view price, real time Inventory, Delivery & Lifecycle Information:

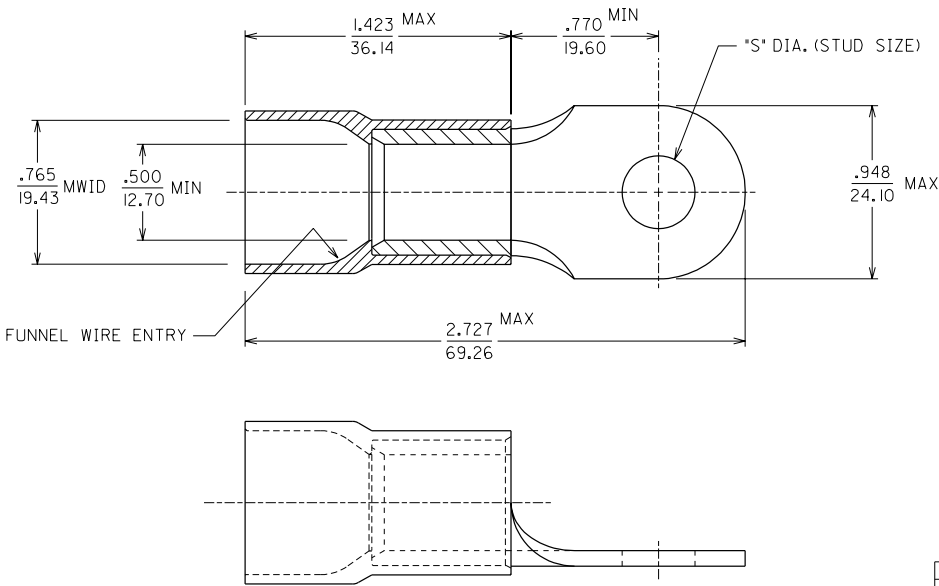
[Molex Connector Corporation](#)
[0190670113](#)

For any questions, you can email us directly:

sales@integrated-circuit.com



MATERIAL NUMBER	ALTERNATE NUMBER	STUD SIZES	"S"
190670109	J-985-12	1/2	.515
190670110	J-985-14	1/4	.265
190670111	J-985-38	3/8	.390
190670112	J-985-56	5/16	.328
190670113	J-985-76	7/16	.453



- NOTES:
1. MATERIAL: COPPER .083 THICK
PLATING: ELECTROPLATE TIN
 2. INSULATION: YELLOW NYLON 6/6
 3. MWID=MAXIMUM WIRE INSULATION DIA.
 4. ALL DIMENSIONS IN INCHES/(MM).

CUSTOMER DRAWING

A	NEW CUST DGN ETC2001-0251 01/02/27 EDB
LTR.	REVISIONS

DIMENSIONS SHOWN (METRIC/INCH) UNLESS OTHERWISE SPECIFIED TOLERANCES: ANGULAR ± 1/2°		REVISE ONLY ON CAD SYSTEM													
<table border="1"> <thead> <tr> <th></th> <th>INCH</th> <th>METRIC</th> </tr> </thead> <tbody> <tr> <td>3 PLACE</td> <td>± .005</td> <td>± ---</td> </tr> <tr> <td>2 PLACE</td> <td>± .01</td> <td>± 0.13</td> </tr> <tr> <td>1 PLACE</td> <td>± ---</td> <td>± 0.25</td> </tr> </tbody> </table>			INCH	METRIC	3 PLACE	± .005	± ---	2 PLACE	± .01	± 0.13	1 PLACE	± ---	± 0.25	TITLE NYLAKRIMP FUNNEL ENTRY RING TONGUE TERMINAL 2/0 AWG	
	INCH	METRIC													
3 PLACE	± .005	± ---													
2 PLACE	± .01	± 0.13													
1 PLACE	± ---	± 0.25													
DRAFT WHERE APPLICABLE MUST REMAIN WITHIN DIMENSIONS		ETC INC. PINELLAS PARK, FLA. 33781 U.S.A.													
<table border="1"> <tr> <td>DRWG. BY: EDB</td> <td>CHK'D. BY: HEB</td> <td>SHEET NO. 1 OF 1</td> <td>DATE 01/02/02</td> </tr> <tr> <td>APP'D. BY: RWD</td> <td>SCALE: NO+NE</td> <td>PART NO. SEE CHART</td> <td>DRWG. NO. SD-19067-001</td> </tr> </table>		DRWG. BY: EDB	CHK'D. BY: HEB	SHEET NO. 1 OF 1	DATE 01/02/02	APP'D. BY: RWD	SCALE: NO+NE	PART NO. SEE CHART	DRWG. NO. SD-19067-001	<table border="1"> <tr> <td>FILE NAME: SD19067001 DGN</td> <td>THIS DRAWING CONTAINS INFORMATION THAT IS PROPRIETARY TO MOLEX-ETC INC. AND SHOULD NOT BE USED WITHOUT WRITTEN PERMISSION</td> <td>DIV. ET</td> <td>SIZE B</td> </tr> </table>		FILE NAME: SD19067001 DGN	THIS DRAWING CONTAINS INFORMATION THAT IS PROPRIETARY TO MOLEX-ETC INC. AND SHOULD NOT BE USED WITHOUT WRITTEN PERMISSION	DIV. ET	SIZE B
DRWG. BY: EDB	CHK'D. BY: HEB	SHEET NO. 1 OF 1	DATE 01/02/02												
APP'D. BY: RWD	SCALE: NO+NE	PART NO. SEE CHART	DRWG. NO. SD-19067-001												
FILE NAME: SD19067001 DGN	THIS DRAWING CONTAINS INFORMATION THAT IS PROPRIETARY TO MOLEX-ETC INC. AND SHOULD NOT BE USED WITHOUT WRITTEN PERMISSION	DIV. ET	SIZE B												

10 9 8 7 6 5 4 3 2 1