



Distributor of Molex Connector Corporation: Excellent Integrated System Limited
Datasheet of 0190230088 - Connector Quick Connect Tab 10-12 AWG 0.250" (6.35mm) Crimp
1=100

Contact us: sales@integrated-circuit.com Website: www.integrated-circuit.com

Excellent Integrated System Limited

Stocking Distributor

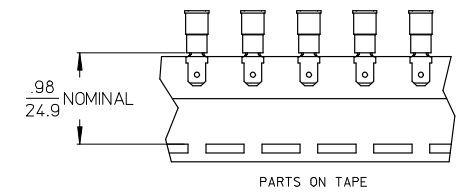
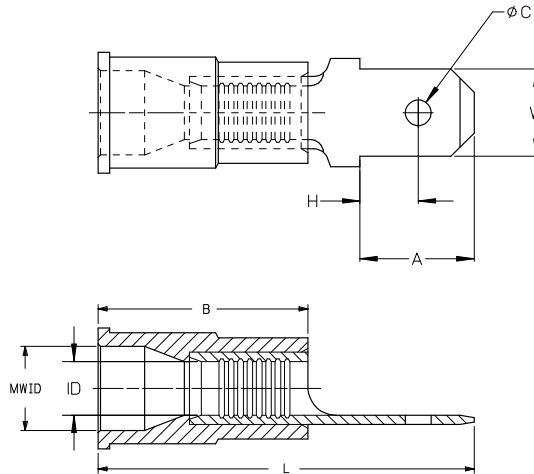
Click to view price, real time Inventory, Delivery & Lifecycle Information:

[Molex Connector Corporation](#)
[0190230088](#)

For any questions, you can email us directly:
sales@integrated-circuit.com

Contact us: sales@integrated-circuit.com Website: www.integrated-circuit.com

10	9		8	7	6	5	4	3	2	19023						
LOOSE PC MATERIAL NUMBER	LOOSE PC ENGINEERING NUMBER	ON TAPE MATERIAL NUMBER	ON TAPE ENGINEERING NUMBER	WIRE RANGE	TAB SIZE REFERENCE	COLOR	ID MIN	B MAX	MWID	L MAX	W ±.005 0.13	A MIN	H MAX	C ±.007 0.18	TERMINAL MAT'L. THICKNESS REF.	TERMINAL FINISH
190230005	AMCT-2X	190230006	AMCT-2XT	22-18AWG (0.38-0.96mm ²)	.250x.032 (6.35x0.81)	RED	.062 /1.57	.450 /11.43	.145 /3.68	.92 /23.4	.250/6.35	.30/7.6	.14/3.6	.075/1.91	BRASS_.032/0.81	ZINC CHROMATE
190230012	MCT-2X	190230014	MCT-2XT	16-14 AWG (1.23-1.94mm ²)	.250x.032 (6.35x0.81)	BLUE	.081 /2.06	.450 /11.43	.175 /4.44	.92 /23.4	.250/6.35	.30/7.6	.14/3.6	.075/1.91	BRASS_.032/0.81	ZINC CHROMATE
190230008	CMCT-2X	190230009	CMCT-2XT	12-10 AWG (3.09-5.01mm ²)	.250x.032 (6.35x0.81)	YELLOW	.128 /3.25	.550 /13.97	.245/6.22	1.10 /27.94	.250/6.35	.30/7.6	.14/3.6	.075/1.91	BRASS_.032/0.81	ZINC CHROMATE
190230003	AMCT-27X	190230004	AMCT-27XT	22-18AWG (0.38-0.96mm ²)	.187x.020 (4.75x0.51)	RED	.062 /1.57	.450 /11.43	.145 /3.68	.82 /23.4	.187/4.75	.24/6.1	.13/3.3	.055/1.40	BRASS_.020/0.51	ZINC CHROMATE
190230010	MCT-27X	190230011	MCT-27XT	16-14 AWG (1.23-1.94mm ²)	.187x.020 (4.75x0.51)	BLUE	.081 /2.06	.450 /11.43	.175 /4.44	.82 /23.4	.187/4.75	.24/6.1	.13/3.3	.055/1.40	BRASS_.020/0.51	ZINC CHROMATE



© (ALL NOTES)

- NOTES:
 1. MALE QD MATERIAL: SEE CHART
 2. MALE QD FINISH: SEE CHART
 3. INSULATION MATERIAL: PVC
 4. TAB DIMENSIONS CONFORM TO UL310 SPECIFICATIONS.
 5. PART IS ROHS COMPLIANT.

REDRWN W/MATL & FIN CHG EC NO: ETC2007-0081 DRAWING: 2008/01/28 CHKD: MACNEIL APPR: MACNEIL 2008/02/15	QUALITY SYMBOLS ▽=0 ▽=0	GENERAL TOLERANCES (UNLESS SPECIFIED)		DIMENSION STYLE	SCALE	DESIGN UNITS	THIRD ANGLE PROJECTION	
				IN/MM	---	INCH	☉	
		4 PLACES	±---	±---	DRAWN BY	DATE	TITLE	
		3 PLACES	±---	±---	RCM	1991/01/25	MALE QUICK DISCONNECT, INSULKRIMP	
		2 PLACES	±---	±---	CHECKED BY	DATE		
		1 PLACE	±---	±---	APPROVED BY	DATE		
		ANGULAR ±---			MOLEX INCORPORATED			
		DRAFT WHERE APPLICABLE MUST REMAIN WITHIN DIMENSIONS		MATERIAL NO.	DOCUMENT NO.	SHEET NO.		
				SEE CHART	SD-19023-004	1 OF 1		
		SIZE B THIS DRAWING CONTAINS INFORMATION THAT IS PROPRIETARY TO MOLEX INCORPORATED AND SHOULD NOT BE USED WITHOUT WRITTEN PERMISSION						