

## Excellent Integrated System Limited

Stocking Distributor

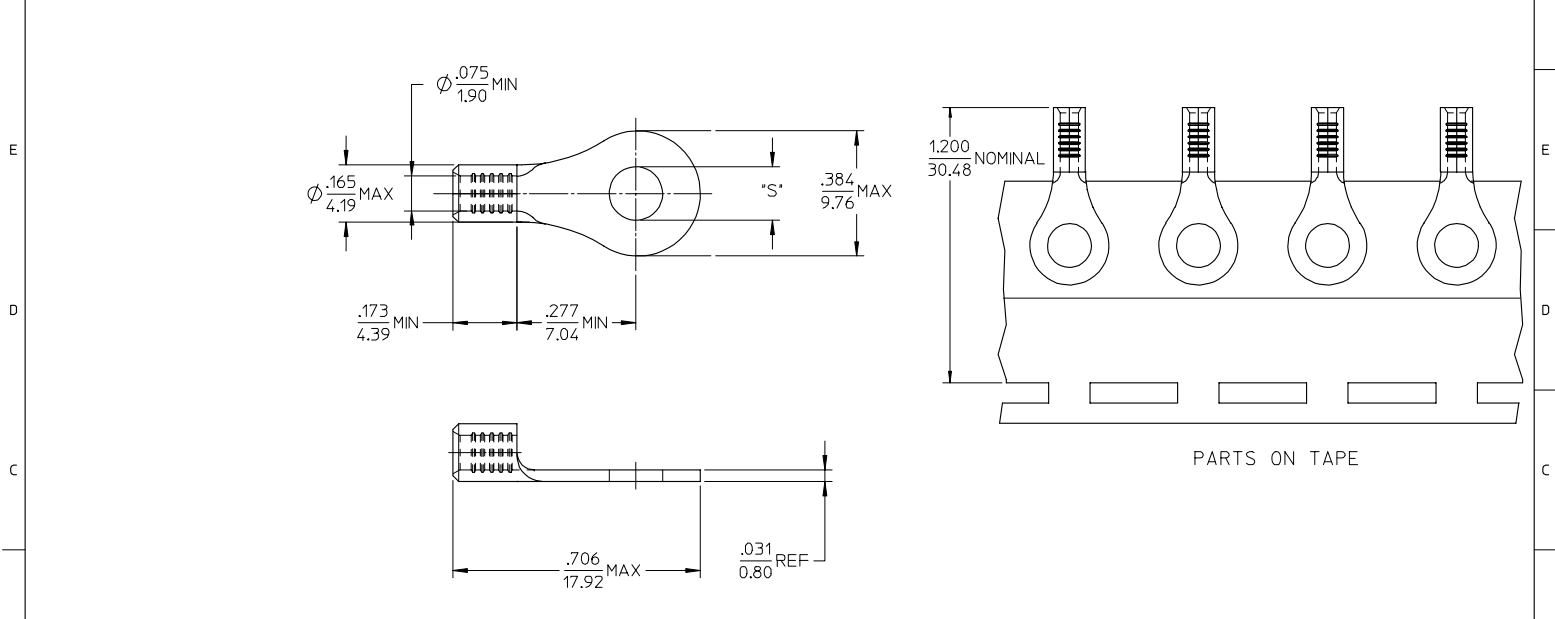
Click to view price, real time Inventory, Delivery & Lifecycle Information:

[Molex Connector Corporation](#)  
[0192030331](#)

For any questions, you can email us directly:

[sales@integrated-circuit.com](mailto:sales@integrated-circuit.com)

10	9	8	7	6	5	4	3	2	19203
MATERIAL NO.	ENG. NO.	STUD SIZE	"S" MAX	DESCRIPTION					
192030388	B-S-137-10	10	.212/5.38	LOOSE					
192030052	B-S-137-10T	10	.212/5.38	TAPE					



- NOTE(S):
1. MATERIAL: STEEL
  2. WIRE SIZE: 16-14 AWG (1.5-2.5 MM<sup>2</sup>)
  3. FINISH: NICKEL PLATING
  4. PART IS ROHS COMPLIANT.
  5. AMBIENT OPERATING TEMPERATURE UP TO 900 °F (483 °C).

ⓔ

ADDED OPERATING TEMP EC NO: ETC2007-0297 FIDRINSHILLE 2007/03/13 CHYKD-JIMONEIL 2007/03/13 APPR: JIMONEIL 2007/03/14 REV DESCRIPTION	QUALITY SYMBOLS	GENERAL TOLERANCES (UNLESS SPECIFIED)	DIMENSION STYLE IN/MM	SCALE 4:1	DESIGN UNITS INCH	THIRD ANGLE PROJECTION
	▽=0	4 PLACES ± --- ± ---	mm INCH	DRAWN BY DMYRICK	DATE 2005/04/06	TITLE RING TONGUE TERMINAL, 16-14 AWG, KRIMPTITE, 900 DEG F (483 DEG C)
	▽=0	3 PLACES ± --- ± ---		CHECKED BY RDEROSS	DATE 2005/04/06	
		2 PLACES ± --- ± ---		APPROVED BY RDEROSS	DATE 2005/04/06	
	1 PLACE ± --- ± ---	ANGULAR ± --- °				
		DRAFT WHERE APPLICABLE MUST REMAIN WITHIN DIMENSIONS	SEE CHART	MATERIAL NO.	DOCUMENT NO. SD-19203-017	SHEET NO. 1 OF 1
			SIZE B	THIS DRAWING CONTAINS INFORMATION THAT IS PROPRIETARY TO MOLEX INCORPORATED AND SHOULD NOT BE USED WITHOUT WRITTEN PERMISSION		