

## Excellent Integrated System Limited

Stocking Distributor

Click to view price, real time Inventory, Delivery & Lifecycle Information:

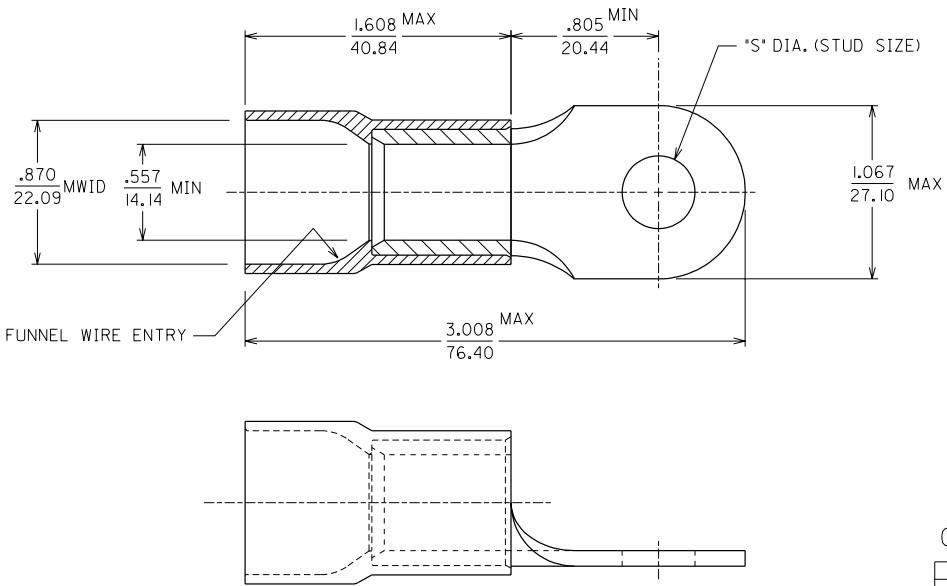
[Molex Connector Corporation](#)  
[0190670121](#)

For any questions, you can email us directly:

[sales@integrated-circuit.com](mailto:sales@integrated-circuit.com)



MATERIAL NUMBER	ALTERNATE NUMBER	STUD SIZES	"S"
190670117	K-990-12	1/2	.515
190670118	K-990-38	3/8	.390
190670119	K-990-56	5/16	.328
190670120	K-990-58	5/8	.656
190670121	K-990-76	7/16	.453



- NOTES:
1. MATERIAL: COPPER .091 THICK  
PLATING: ELECTROPLATE TIN
  2. INSULATION: RED NYLON 6/6
  3. MWID=MAXIMUM WIRE INSULATION DIA.
  4. ALL DIMENSIONS IN INCHES/(MM).

CUSTOMER DRAWING

A	NEW CUST DGN ETC2001-0251 01/02/27 EDB
LTR.	REVISIONS

DIMENSIONS SHOWN (METRIC/INCH) UNLESS OTHERWISE SPECIFIED TOLERANCES: ANGULAR ± 1/2°		REVISE ONLY ON CAD SYSTEM													
<table border="1"> <thead> <tr> <th></th> <th>INCH</th> <th>METRIC</th> </tr> </thead> <tbody> <tr> <td>3 PLACE</td> <td>± .005</td> <td>± ---</td> </tr> <tr> <td>2 PLACE</td> <td>± .01</td> <td>± 0.13</td> </tr> <tr> <td>1 PLACE</td> <td>± ---</td> <td>± 0.25</td> </tr> </tbody> </table>			INCH	METRIC	3 PLACE	± .005	± ---	2 PLACE	± .01	± 0.13	1 PLACE	± ---	± 0.25	TITLE NYLAKRIMP FUNNEL ENTRY RING TONGUE TERMINAL 3/0 AWG	
	INCH	METRIC													
3 PLACE	± .005	± ---													
2 PLACE	± .01	± 0.13													
1 PLACE	± ---	± 0.25													
DRAFT WHERE APPLICABLE MUST REMAIN WITHIN DIMENSIONS		ETC INC. PINELLAS PARK, FLA. 33781 U.S.A.	SHEET NO. DATE 1 OF 1 01/02/02												
DRWG. BY: EDB	CHK'D. BY: HEB	PART NO. SEE CHART	DRWG. NO. SD-19067-008												
APP'D. BY: RWD	SCALE: NO+NE	FILE NAME: SD19067008 DGN	THIS DRAWING CONTAINS INFORMATION THAT IS PROPRIETARY TO MOLEX-ETC INC. AND SHOULD NOT BE USED WITHOUT WRITTEN PERMISSION. DIV. SIZE: ET B												

10 9 8 7 6 5 4 3 2 1