

Excellent Integrated System Limited

Stocking Distributor

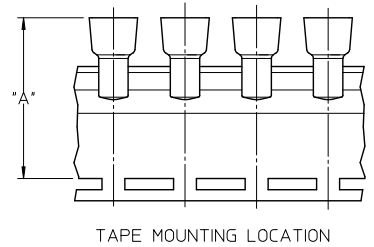
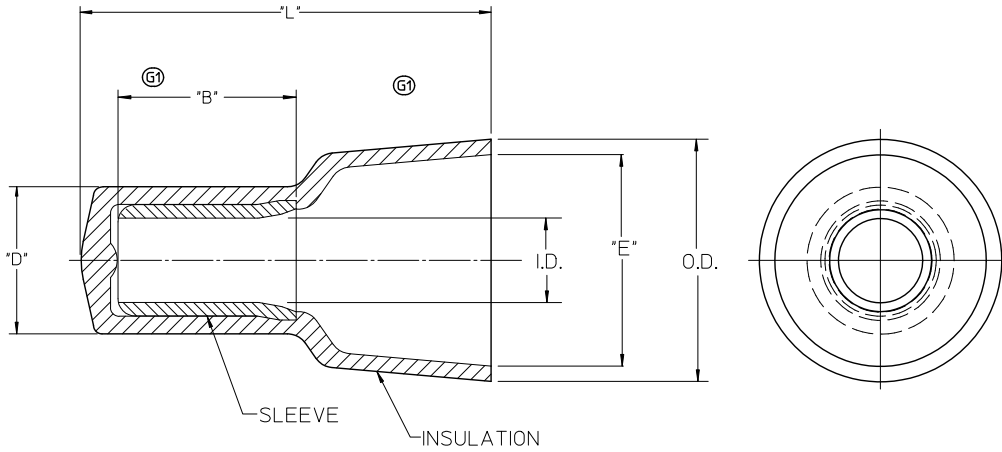
Click to view price, real time Inventory, Delivery & Lifecycle Information:

[Molex Connector Corporation](#)
[0191600170](#)

For any questions, you can email us directly:

sales@integrated-circuit.com

| 10 | | 9 | | 8 | | 7 | | 6 | | 5 | | 4 | | 3 | | 2 | | 19160 | | |
|--------------|----------|--------------|----------|--------------|----------|---------|----------|----------|----------------------------------|-----------|----------|-----------|-----------|---|--|---|--|-------|--|--|
| LOOSE PIECE | | | | TAPE MOUNTED | | | | "L" MAX. | "B" MIN $\text{\textcircled{G}}$ | "D" MAX. | "E" MIN. | I.D. MIN. | O.D. MAX. | "A" DIM $\pm 0.02/0.5 \text{\textcircled{G}}$ | | | | | | |
| MATERIAL NO. | ENG. NO. | MATERIAL NO. | ENG. NO. | | | | | | | | | | | | | | | | | |
| 191600012 | NC-2214 | 191600070 | NC-2214T | .62/15.7 | .30/7.6 | .19/4.8 | .24/6.1 | .09/2.3 | .32/8.1 | 1.54/39.2 | | | | | | | | | | |
| 191600009 | NC-2212 | 191600071 | NC-2212T | .76/19.3 | .30/7.6 | .23/5.8 | .27/6.9 | .10/2.5 | .36/9.1 | 1.63/41.4 | | | | | | | | | | |
| 191600002 | NC-1610 | 191600083 | NC-1610T | .90/22.8 | .28/7.1 | .28/7.1 | .38/9.6 | .15/3.8 | .45/11.4 | 1.75/44.5 | | | | | | | | | | |
| 191600024 | NC-8 | 191600028 | NC-8T | 1.10/27.9 | .42/10.6 | .36/9.1 | .48/12.2 | .21/5.3 | .57/14.5 | 1.86/47.4 | | | | | | | | | | |



SALES DRAWING

NOTES:

- MATERIAL: SLEEVE: TIN-PLATED COPPER
INSULATION: 6/6 NYLON,
NATURAL TRANSLUCENT
- PARTS ARE ROHS COMPLIANT.

| CORRECT TOLERANCES EC NO: WNA 2010-0673 DRAWN BY: DRW:ETHRODAHL 2010/05/07 CHECKED BY: CHY:R. DEROSS 04/02/23 APPR: JACQUELLE 2010/06/23 REV: G1 | QUALITY SYMBOLS $\nabla=0$ $\sphericalangle=0$ | GENERAL TOLERANCES (UNLESS SPECIFIED) <table border="1"> <thead> <tr> <th></th> <th>mm</th> <th>INCH</th> </tr> </thead> <tbody> <tr> <td>4 PLACES</td> <td>$\pm .005$</td> <td>$\pm .0005$</td> </tr> <tr> <td>3 PLACES</td> <td>$\pm .005$</td> <td>$\pm .0005$</td> </tr> <tr> <td>2 PLACES</td> <td>$\pm .005$</td> <td>$\pm .0005$</td> </tr> <tr> <td>1 PLACE</td> <td>$\pm .005$</td> <td>$\pm .0005$</td> </tr> <tr> <td colspan="2">ANGULAR</td> <td>$\pm .005$</td> </tr> </tbody> </table> | | mm | INCH | 4 PLACES | $\pm .005$ | $\pm .0005$ | 3 PLACES | $\pm .005$ | $\pm .0005$ | 2 PLACES | $\pm .005$ | $\pm .0005$ | 1 PLACE | $\pm .005$ | $\pm .0005$ | ANGULAR | | $\pm .005$ | DIMENSION STYLE IN/MM DRAWN BY: H. BEITZE DATE: 04/02/23 CHECKED BY: R. DEROSS DATE: 04/02/23 APPROVED BY: R. DEROSS DATE: 04/02/23 MATERIAL NO. | SCALE: 5:1 DESIGN UNITS: INCH THIRD ANGLE PROJECTION | TITLE: CLOSED END CONNECTORS NYLON INSULATED MOLEX INCORPORATED DOCUMENT NO. SD-19160-001 SHEET NO. 1 OF 1 |
|--|--|---|---|----|------|----------|------------|-------------|----------|------------|-------------|----------|------------|-------------|---------|------------|-------------|---------|--|------------|--|--|---|
| | | mm | INCH | | | | | | | | | | | | | | | | | | | | |
| | 4 PLACES | $\pm .005$ | $\pm .0005$ | | | | | | | | | | | | | | | | | | | | |
| | 3 PLACES | $\pm .005$ | $\pm .0005$ | | | | | | | | | | | | | | | | | | | | |
| 2 PLACES | $\pm .005$ | $\pm .0005$ | | | | | | | | | | | | | | | | | | | | | |
| 1 PLACE | $\pm .005$ | $\pm .0005$ | | | | | | | | | | | | | | | | | | | | | |
| ANGULAR | | $\pm .005$ | | | | | | | | | | | | | | | | | | | | | |
| DRAFT WHERE APPLICABLE MUST REMAIN WITHIN DIMENSIONS | | SEE CHART | THIS DRAWING CONTAINS INFORMATION THAT IS PROPRIETARY TO MOLEX INCORPORATED AND SHOULD NOT BE USED WITHOUT WRITTEN PERMISSION | | | | | | | | | | | | | | | | | | | | |
| | | | | | | | | | | | | | | | | | | | | | | | |
| | | | | | | | | | | | | | | | | | | | | | | | |