



## **Excellent Integrated System Limited**

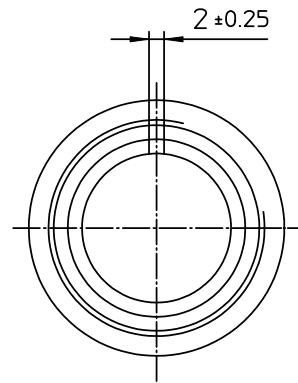
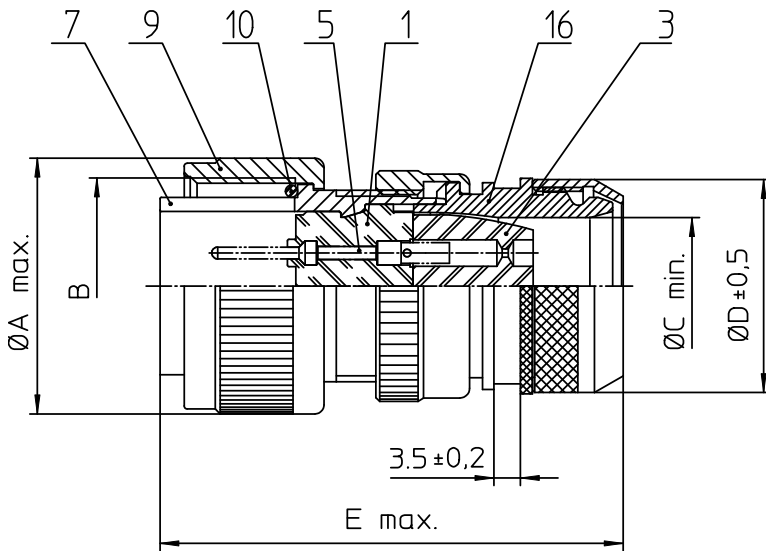
Stocking Distributor

Click to view price, real time Inventory, Delivery & Lifecycle Information:

[ITT Cannon, LLC](#)  
[CA3106E28-22P15](#)

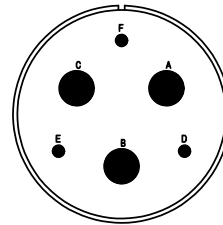
For any questions, you can email us directly:

[sales@integrated-circuit.com](mailto:sales@integrated-circuit.com)




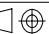
NO.	MASSE / DIMENSION
A	50.2
B	1 3/4-18NS-2B
C	23.7
D	16.6
E	76

NO.	BESCHREIBUNG / DESCRIPTION
1	ISOLIERKÖRPER STIFT / INSULATOR PIN
3	DICHTKÖRPER / GROMMET
5	KONTAKTSTIFT/ CONTACT PIN
7	ZYLINDERGHÄUSE / BARREL
9	ÜBERWURFMUTTER / COUPLING NUT
10	DICHTRING FRONT / FRONT SEALING RING
16	ENDGEHÄUSE GESCHIRMT / ENDBELL SHIELDED



Note: Due to an automatic nomenclature system, numbers generated may not be sequential.  
Specification and Dimensions subject to change  
Drawings illustrate normal insulator positioning

Material Specification:	
Shell Material:	Aluminium alloy
Shell Plating:	Olive drab chromate coating over cadmium plating
Insulator Material:	Neoprene
Contact Material:	Copper alloy
Contact Plating:	Hard silver

all dimensions are in mm Dimensions without tolerance indications are general tolerances in acc. with DIN7168m		drawing for CUSTOMER
 <b>ITT</b> <i>Engineered for life</i> <small>ITT CANNON GmbH D-71334 Heimsheim</small>	description	CA3106E28-22P-15
		Plug, straight shielded Endbell with clamp and bushing AWG Crimp / Pin / Layout: 28-22
<small>© All rights reserved. Reproduction or issue to third in any form whenever is only permitted with written authorization of ITT Cannon</small>		page 1/1 revision 377.3. Jul 16