



## **Excellent Integrated System Limited**

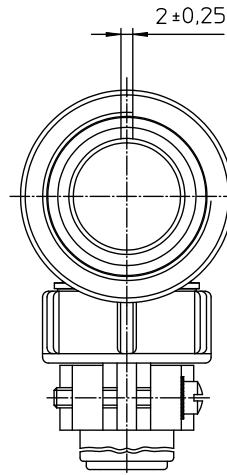
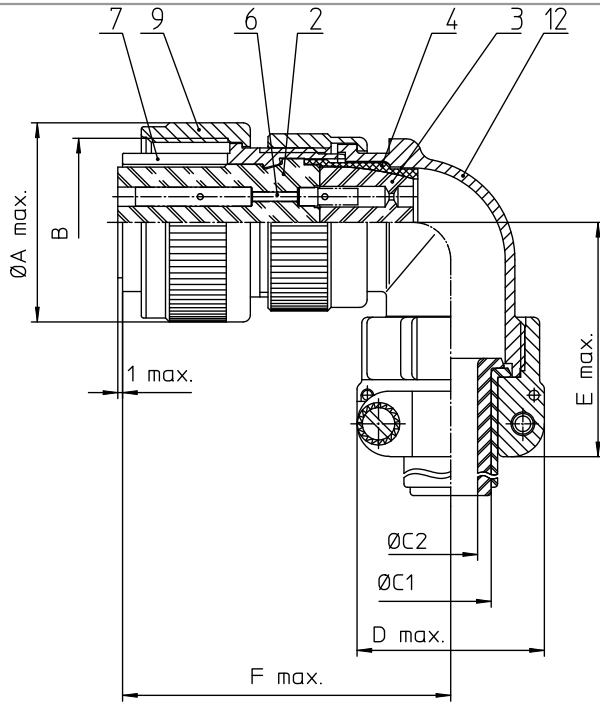
Stocking Distributor

Click to view price, real time Inventory, Delivery & Lifecycle Information:

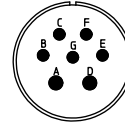
[ITT Cannon, LLC](#)  
[CA3108E18-9S](#)

For any questions, you can email us directly:

[sales@integrated-circuit.com](mailto:sales@integrated-circuit.com)



| NO. | MASSE / DIMENSION |
|-----|-------------------|
| A   | 34.1              |
| B   | 1 1/8-18NEF-2B    |
| C1  | 14.3              |
| C2  | -                 |
| D   | 32.2              |
| E   | 53                |
| F   | 58                |



| NO. | BESCHREIBUNG / DESCRIPTION              |
|-----|---|
| 2   | ISOLIERKÖRPER BUCHSE / INSULATOR SOCKET |
| 3   | DICHTKÖRPER / GROMMET                   |
| 4   | ENDRING / ENDRING                       |
| 6   | KONTAKTBUCHSE / CONTACT SOCKET          |
| 7   | ZYLINDERGHÄUSE / BARREL                 |
| 9   | ÜBERWURFMUTTER / COUPLING NUT           |
| 12  | ENDGEHÄUSE / ENDBELL                    |

|  |
|--|
| Note: Due to an automatic nomenclature system, numbers generated may not be sequential.            |
| Specification and Dimensions subject to change<br>Drawings illustrate normal insulator positioning |
| Material Specification:  |
| Shell Material: Aluminium alloy  |
| Shell Plating: Olive drab chromate coating over cadmium plating                                    |
| Insulator Material: Neoprene   |
| Contact Material: Copper alloy   |
| Contact Plating: Hard silver   |

|   |  |
|---|--|
| all dimensions are in mm<br>Dimensions without tolerance indications are general tolerances in acc. with DIN7150m | drawing for<br>CUSTOMER  |
| <br><b>ITT</b><br><i>Engineered for life</i><br>ITT CANON CORP.<br>17108 Woodbridge Drive                         | description CA3108E18-9S<br>Plug 90°<br>Endbell with clamp and bushing<br>Solder Cup / Socket / Layout: 18-9 |
| © All rights reserved. Reproduction or reuse in any form<br>without the prior written authorization of ITT Cannon | page 1/1<br>revision 377.3, Jul 16   |