



## **Excellent Integrated System Limited**

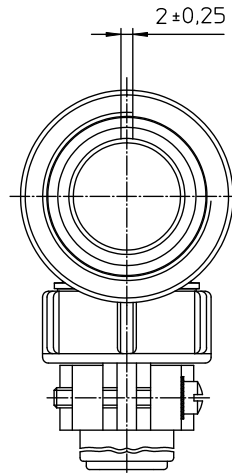
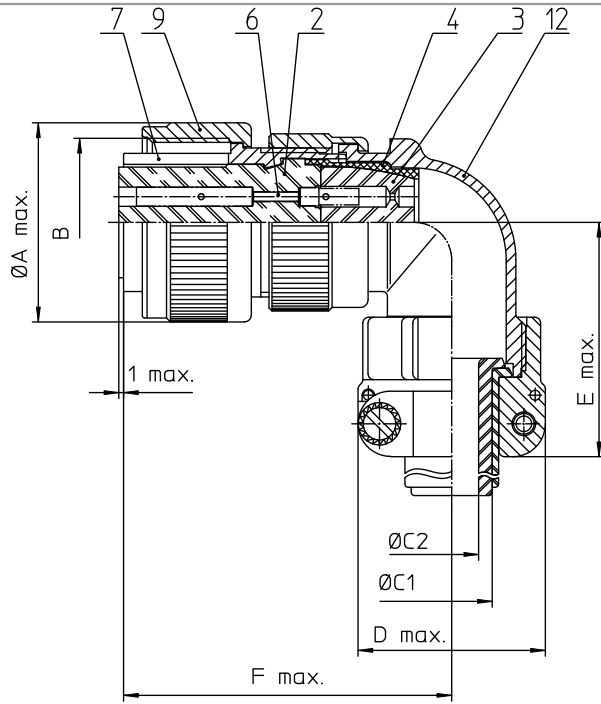
Stocking Distributor

Click to view price, real time Inventory, Delivery & Lifecycle Information:

[ITT Cannon, LLC](#)  
[CA3108E22-7SF80](#)

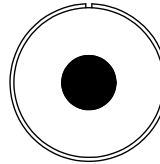
For any questions, you can email us directly:

[sales@integrated-circuit.com](mailto:sales@integrated-circuit.com)



NO.	MASSE / DIMENSION
A	40.5
B	1 3/8-18NEF-2B
C1	15.9
C2	-
D	37.5
E	53
F	61

NO.	BESCHREIBUNG / DESCRIPTION
2	ISOLIERKÖRPER BUCHSE / INSULATOR SOCKET
3	DICKTKÖRPER / GROMMET
4	ENDRING / ENDRING
6	KONTAKTBUCHSE / CONTACT SOCKET
7	ZYLINDERGHÄUSE / BARREL
9	ÜBERWURFMUTTER / COUPLING NUT
12	ENDGEHÄUSE / ENDBELL



Note: Due to an automatic nomenclature system, numbers generated may not be sequential.
Specification and Dimensions subject to change Drawings illustrate normal insulator positioning
Material Specification:
Shell Material: Aluminium alloy
Shell Plating: Olive drab chromate coating over cadmium plating
Insulator Material: Neoprene
Contact Material: Copper alloy
Contact Plating: Hard silver

all dimensions are in mm  
Dimensions without tolerance indications are general tolerances in acc. with DIN7150m

drawing for  
CUSTOMER



description CA3108E22-7S-F80  
Plug 90°  
Endbell with clamp and bushing  
AWG Crimp / Socket / Layout: 22-7

Engineered for life  
ITT CANNON GROUP  
0 7108 WiesbadenGermany

© All rights reserved. Reproduction or reuse in any form  
without the prior written authorization of ITT Cannon

page 1/1  
revision 377.3, Jul 16