

Excellent Integrated System Limited

Stocking Distributor

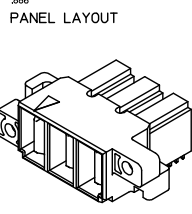
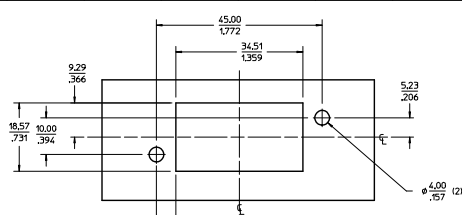
Click to view price, real time Inventory, Delivery & Lifecycle Information:

[Molex Connector Corporation](#)
[0468171001](#)

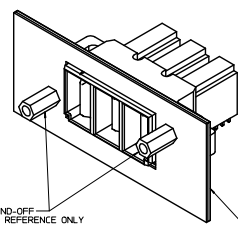
For any questions, you can email us directly:

sales@integrated-circuit.com

PART NUMBER	DIM "A" PC TAIL	PC BOARD THICKNESS	DESCRIPTION
46817-1000	3.86/0.30 .52/0.12	2.36/0.093	SHORT TAILS
46817-1001	4.69/0.30 .85/0.12	3.18/0.125 3.60/0.142	LONG TAILS

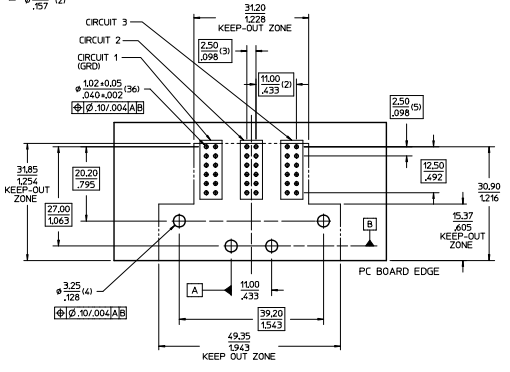


PART SUPPLIED AS SHOWN

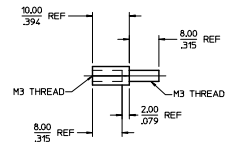


STAND-OFF FOR REFERENCE ONLY
PANEL REFERENCE

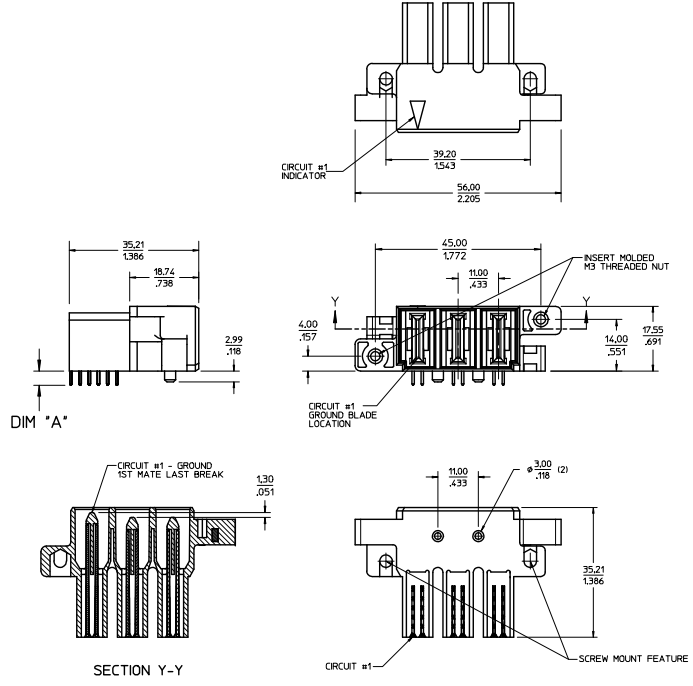
- NOTES:
1. MATERIAL: HOUSING: 30% GF POLYESTER - 94V-0 89992-0030
TERMINALS: COPPER ALLOY
 2. PLATING: TERMINALS: 30 μ IN GOLD IN THE CONTACT AREA,
500 μ IN TIN IN THE PC TAIL AREA OVER
50 μ IN NICKEL OVERALL
 3. PRODUCT SPECIFICATION: PS-46819-001
 4. PARTS ARE TRAY PACKED PER PACKAGING SPECIFICATION: PK-46817-001
 5. MATING HARNESS SERIES 11119
 6. PC BOARD HOLES ARE FOR SOLDER TAIL TYPE TERMINALS
 7. PC BOARD HOLES TO BE PLATED THRU HOLES



RECOMMENDED PCB LAYOUT
(CONNECTOR SIDE)



RECOMMENDED M3 STAND-OFF
FOR REFERENCE ONLY
MAY BE PURCHASED FROM HARDWARE VENDOR



SECTION Y-Y
CIRCUIT #1

QTY	SYMBOLS	GENERAL TOLERANCES (UNLESS SPECIFIED)		DIMENSION STYLE		SCALE	DESIGN UNITS	THIRD ANGLE PROJECTION
		mm	INCH	MM/IN	MM/IN			
4 PLACES	∇=0	±0.10	±0.010	DATA	2009/01/22	2:1	METRIC	⊙
3 PLACES	∇=0	±0.25	±0.02	APATEL	2009/01/23			
1 PLACE	∇=0	±0.51	±0.05	APATEL	2011/12/20			
		ANGULAR ±1/2°						
		DRAFT WHERE APPLICABLE MUST REMAIN WITHIN DIMENSIONS		SEE CHART				
				MATERIAL NO. SD-46817-100				
				SIZE D THIS DRAWING CONTAINS INFORMATION THAT IS PROPRIETARY TO MOLEX INCORPORATED AND SHOULD NOT BE USED WITHOUT WRITTEN PERMISSION				