

## Excellent Integrated System Limited

Stocking Distributor

Click to view price, real time Inventory, Delivery & Lifecycle Information:

[Molex Connector Corporation](#)  
[0468190001](#)

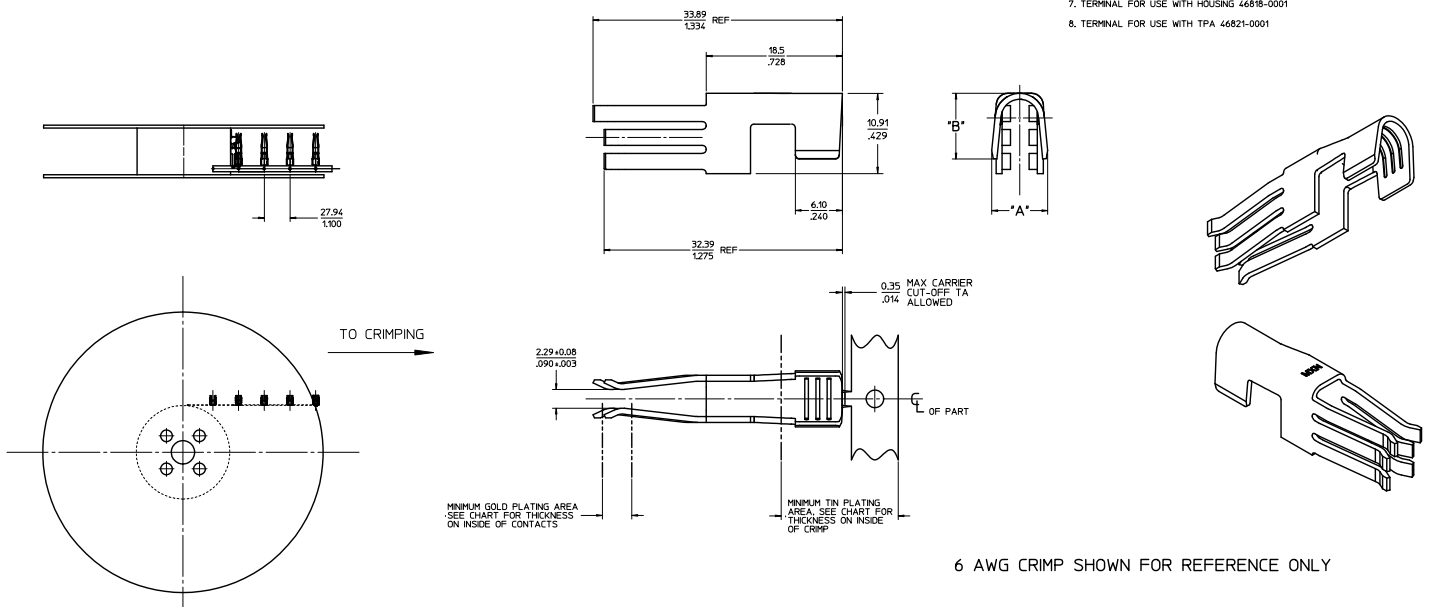
For any questions, you can email us directly:

[sales@integrated-circuit.com](mailto:sales@integrated-circuit.com)

PART NUMBER	CRIMP SIZE	NUMBER OF TERMINALS PER REEL	PLATING	DIM "A" WIDTH	DIM "B" HEIGHT
46819-0001	10	****		5.37±0.25 270±0.10	5.97±0.38 235±0.05
46819-0002	8	****	100μ INCHES OF MATTE TIN OVERALL OVER 50μ INCHES OF NICKEL OVERALL	7.12±0.25 280±0.10	7.84±0.30 309±0.12
46819-0003	6	****		7.62±0.25 300±0.10	8.92±0.30 350±0.12
46819-0011	10	****		5.37±0.25 270±0.10	5.97±0.38 235±0.05
46819-0012	8	****	100μ INCHES OF MATTE SELECT TIN OVER 50μ INCHES OF NICKEL OVERALL WITH 30μ INCHES OF SELECT GOLD	7.12±0.25 280±0.10	7.84±0.30 309±0.12
46819-0013	6	****		7.62±0.25 300±0.10	8.92±0.30 350±0.12

NOTES:

1. MATERIAL: COPPER ALLOY .801/032 THICK
2. FINISH: PER MOLEX PLATING SPECIFICATION ES-88 - SEE CHART
3. FOR CRIMP TOOLING CONTACT MOLEX OR VISIT THE MOLEX WEBSITE AT: WWW.MOLEX.COM
4. SEE PRODUCT SPECIFICATION: PS-46819-001 FOR MORE INFORMATION
5. FOR CRIMP SET UP INFORMATION SEE MOLEX APPLICATION SPECIFICATION DOCUMENT:  
 6 AWG - ATS-638320600  
 8 AWG - ATS-638320700  
 10 AWG - ATS-638320800
6. DESIGNED TO MATE WITH MOLEX P/N 46819-1\*\*\*
7. TERMINAL FOR USE WITH HOUSING 46819-0001
8. TERMINAL FOR USE WITH TPA 46821-0001



6 AWG CRIMP SHOWN FOR REFERENCE ONLY

QUALITY SYMBOLS	GENERAL TOLERANCES (UNLESS SPECIFIED)	DIMENSION STYLE		SCALE	DESIGN UNITS	THIRD ANGLE PROJECTION
		MM/IN	DATE			
▽=0	4 PLACES ±.005	mm	2009/03/09	4:1	METRIC	TERMINAL - HIGH POWER CRIMP CONTACT
▽=0	3 PLACES ±.005	INCH	DATE			
▽=0	2 PLACES ±0.13		2009/03/09			
▽=0	1 PLACE ±0.25		DATE			
	ANGULAR ±1/2°		2009-03/10			
▽=0	DRAFT WHERE APPLICABLE MUST REMAIN WITHIN DIMENSIONS					
REVISED NOTE EC NO. LCP2005-563 DRAWN: JUILLES CHKD: APPROVAL: AZ		DRAWN BY: JUILLES CHECKED BY: MDATA APPROVED BY: APATEL		DATE: 2009/03/09		TITLE: TERMINAL - HIGH POWER CRIMP CONTACT
		MATERIAL NO. SEE CHART		DOCUMENT NO. SD-46819-001		SHEET NO. 1 OF 1
SIZE D THIS DRAWING CONTAINS INFORMATION THAT IS PROPRIETARY TO MOLEX INCORPORATED AND SHOULD NOT BE USED WITHOUT WRITTEN PERMISSION						