

Excellent Integrated System Limited

Stocking Distributor

Click to view price, real time Inventory, Delivery & Lifecycle Information:

[Comair Rotron](#)
[19044019A](#)

For any questions, you can email us directly:
sales@integrated-circuit.com

SPECIFICATIONS

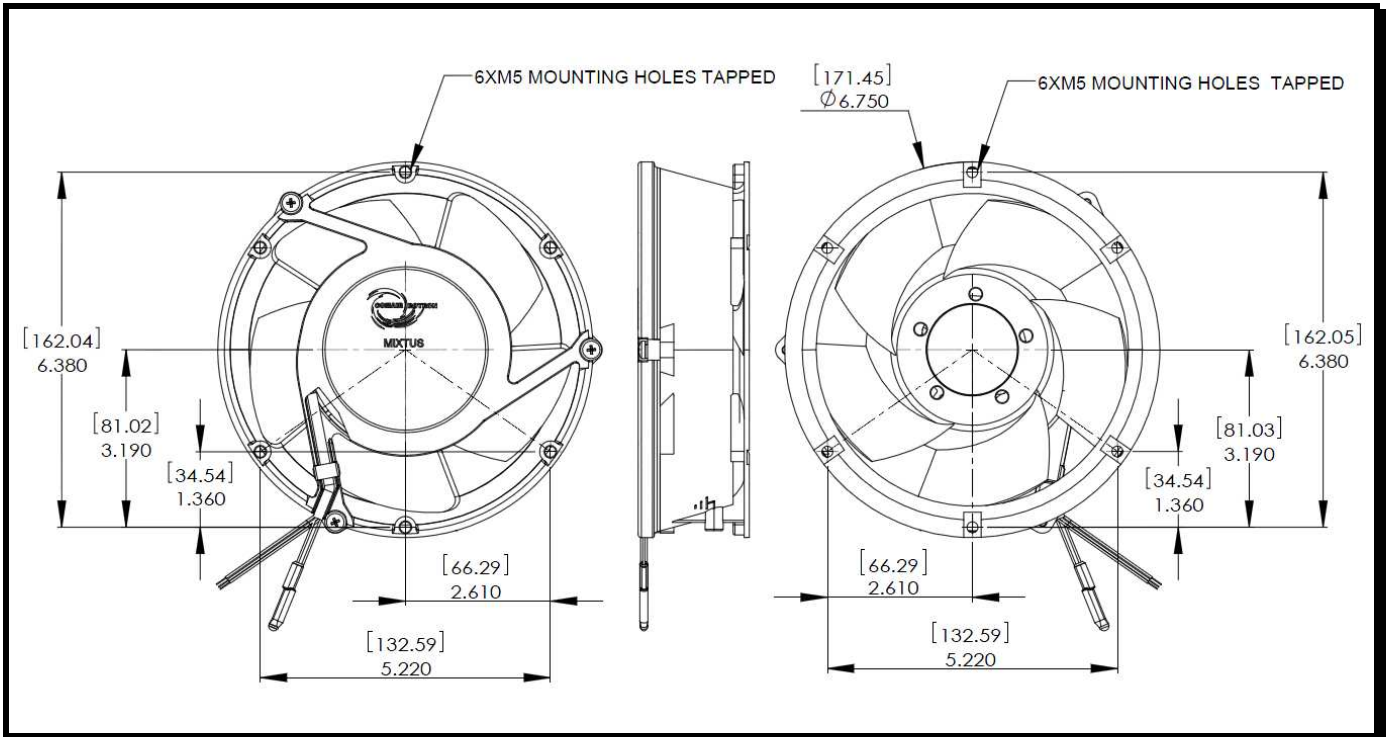
(RoHS Compliant)



Model Number: MFXE24Z3D3-E2
Part Number: 19044019A
SPEC Number: 26017480A Rev:00

Apr 03, 2013

Mechanical Drawing:



Motor:

Nominal Voltage	= 24 vdc
Operating Voltage Range	= 16 - 32vdc
Nominal Running Current	= 3.1 amps
Max. Locked Rotor Current	= 3.9 amps
Running Power	= 74.4 watts
Average Speed	= 5400 rpm
Bearings	= Ball
Air Flow	= 400 CFM
Acoustic	= 69 dBA

Construction:

Venturi: Die Cast Aluminum Alloy, Black.
 Propeller: Plastic, Black, UL 94V-0.

Agency Approvals:

UL, CE

Life Expectancy:

This fan is designed for continuous duty life of 75,000 hours at 40°C.

Additional Features:

Brushless DC Motor
 Locked Rotor Protection
 Reverse Polarity Protected
 Automatic Restart Capability
 Operating Temperature: -20°C to 70°C
 Storage Temperature: -40°C to 85°C

Alarm Output (FPS):

Open Collector (NPN Transistor)
 High on Pass, Low on Fail
 Vcc: 32Vdc Max
 Sink Current (Ic): 20mA Max
 Isolated: No
 Latching: No
 Delay: 10±4s

Termination:

12" length lead wires, 20AWG, UL 1007
 Black – Return(-)
 Blue – FPS
 Red – Power(+)



Comair Rotron Specification Sheet

Specification Date: Apr 03, 2013

24V Mixed Flow P-Q Curve

