

Excellent Integrated System Limited

Stocking Distributor

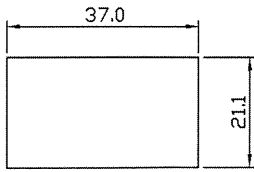
Click to view price, real time Inventory, Delivery & Lifecycle Information:

[CW Industries](#)
[GRB234A2NABA1](#)

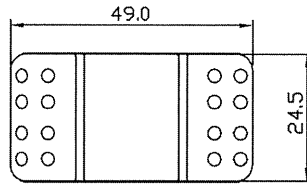
For any questions, you can email us directly:

sales@integrated-circuit.com

THIS INFORMATION IS CONFIDENTIAL AND PROPRIETARY TO CW INDUSTRIES INCORPORATED AND ITS AFFILIATES. IT MAY NOT BE DISCLOSED TO ANYONE, OTHER THAN CW INDUSTRIES PERSONNEL, WITHOUT WRITTEN AUTHORIZATION FROM CW INDUSTRIES INCORPORATED, SOUTHAMPTON, PENNSYLVANIA USA.



Panel Cutout



SPECIFICATIONS:

Rating: 25A 12V DC

Function: ON - OFF - ON DPDT
Pos 1 Pos 2 Pos 3

Contact Resistance: 20mΩ max. (initial)
Insulation Resistance: 100mΩ min. (at 500V DC)
Dielectric Strength: 1,500V AC 50/60 Hz for 1 minute
Operating Temp.: - 40 ° C To 85 ° C
Service Life: Mechanically: 100,000 operations min.
Electrically: 30,000 operations min.

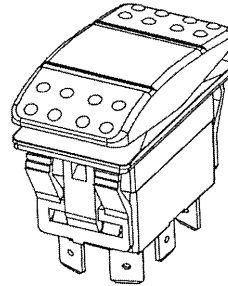
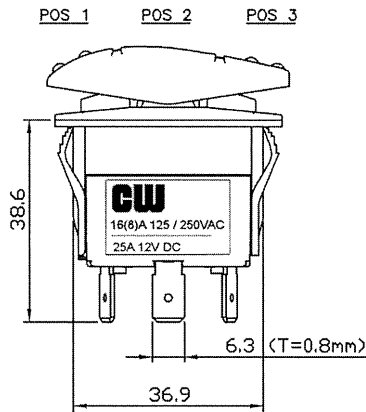
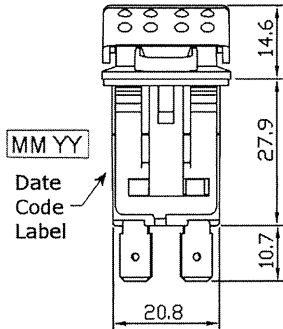
Water Proof: IP68

Base Color- Gray

Actuator Color- Black

Insulation Materials: 94V-2 Thermoplastic

Contact Materials: Copper Alloy



RoHS Compliant

1 Removed Temp T55. Added Operating Temp, Insulation & Contact Mat'l.s. 10/10/12.			
Date Drawn: 3-19-12	Rev. 1	Unit: mm	Checked By: G. Gold
Title: ROCKER SWITCH		CW P/N: GRB234A2NABA1	

CW INDUSTRIES
Southampton, Pa. 18966
Tel 215.355.7080/www.cwind.com