

Excellent Integrated System Limited

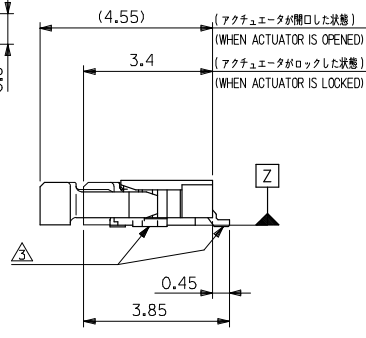
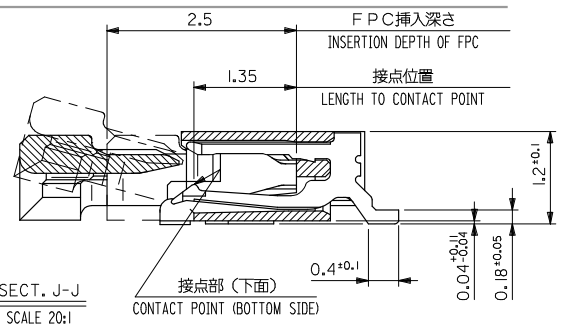
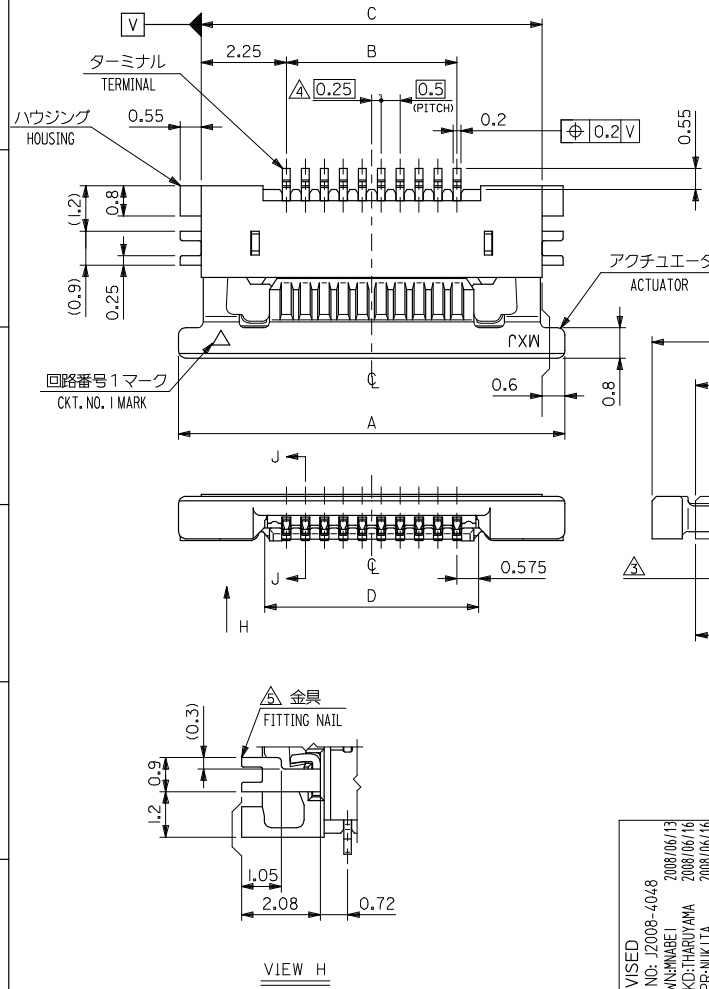
Stocking Distributor

Click to view price, real time Inventory, Delivery & Lifecycle Information:

[Molex Connector Corporation](#)
[0545480971](#)

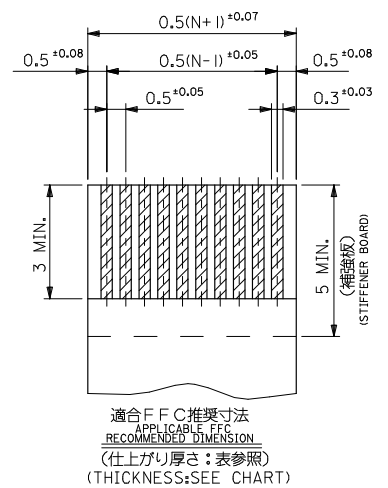
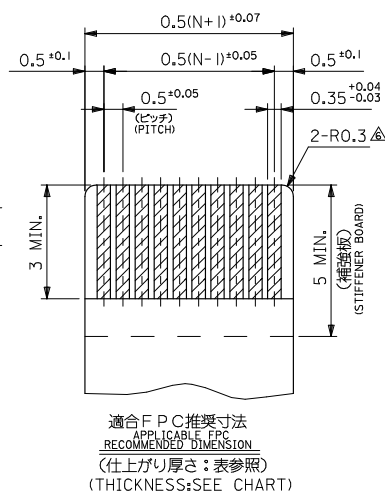
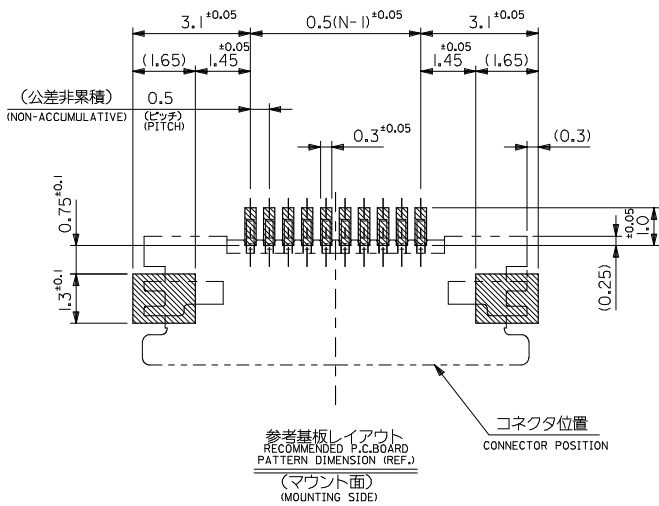
For any questions, you can email us directly:

sales@integrated-circuit.com



FPC THICKNESS	D	C	B	A	EMBOSSED TAPE ORDER No. オータ-番号	製品番号 MATERIAL No. Ck-t	極数 MODEL No.
0.28±0.03	13.65	17.0	12.5	18.2	54548-2671	54548-2629	26
	12.65	16.0	11.5	17.2	54548-2471	54548-2429	24
	12.15	15.5	11.0	16.7	54548-2371	54548-2329	23
	11.65	15.0	10.5	16.2	54548-2271	54548-2229	22
	11.15	14.5	10.0	15.7	54548-2171	54548-2129	21
	10.65	14.0	9.5	15.2	54548-2071	54548-2029	20
	10.15	13.5	9.0	14.7	54548-1971	54548-1929	19
	9.65	13.0	8.5	14.2	54548-1871	54548-1829	18
	9.15	12.5	8.0	13.7	54548-1771	54548-1729	17
	8.65	12.0	7.5	13.2	54548-1671	54548-1629	16
0.3±0.03	8.15	11.5	7.0	12.7	54548-1571	54548-1529	15
	7.65	11.0	6.5	12.2	54548-1471	54548-1429	14
	7.15	10.5	6.0	11.7	54548-1371	54548-1329	13
	6.65	10.0	5.5	11.2	54548-1271	54548-1229	12
	6.15	9.5	5.0	10.7	54548-1171	54548-1129	11
	5.65	9.0	4.5	10.2	54548-1071	54548-1029	10
	5.15	8.5	4.0	9.7	54548-0971	54548-0929	9
	4.65	8.0	3.5	9.2	54548-0871	54548-0829	8
	4.15	7.5	3.0	8.7	54548-0771	54548-0729	7
	3.65	7.0	2.5	8.2	54548-0671	54548-0629	6
3.15	6.5	2.0	7.7	54548-0571	54548-0529	5	
2.65	6.0	1.5	7.2	54548-0471	54548-0429	4	

REVISED EC NO: J2008-4048 DRAWN BY: 2008/06/13 CHKD: HIRUYAMA 2008/06/16 APPR: NIKITA 2008/06/16	GENERAL TOLERANCES (UNLESS SPECIFIED)		DIMENSION STYLE MM ONLY	SCALE 10:1	DESIGN UNITS METRIC	THIRD ANGLE PROJECTION	
	10 UNDER	± 0.2	DRAWN BY HSI MABUKURO	DATE '04/02/10	TITLE 0.5 FPC CONN ZIF HSG ASSY FOR SMT RA BTM CONT -LEAD FREE-		
	10 OVER 30 UNDER	± 0.25	CHECKED BY KTOJO	DATE '04/02/10	MOLEX INCORPORATED		
	30 OVER	± 0.3	APPROVED BY MSASAO	DATE '04/02/10	MATERIAL NO. SEE TABLE	DOCUMENT NO. SD-54548-039	SHEET NO. 1 OF 2
	ANGULAR	± 3 °	THIS DRAWING CONTAINS INFORMATION THAT IS PROPRIETARY TO MOLEX INCORPORATED AND SHOULD NOT BE USED WITHOUT WRITTEN PERMISSION				



注記 NOTES

1. 使用材料 MATERIAL

ハウジング : LCP, UL94V-0
HOUSING

アクチュエータ : PPS, UL94V-0
ACTUATOR

ターミナル : リン青銅 (t=0.2)
TERMINAL PHOSPOR BRONZE

メッキ : 接点部: 金メッキ
PLATING CONTACT PORTION: GOLD PLATING

テール部: 銀メッキ
SOLDERING PORTION: TIN OVER PLATING

下地: ニッケルメッキ
UNDER PLATING: NICKEL PLATING

金具 : リン青銅, 銀メッキ (t=0.2)
FITTING NAIL PHOSPOR BRONZE, TIN PLATING

下地: ニッケルメッキ
UNDER PLATING: NICKEL PLATING

△ パターンはくり止め用具
FITTING NAIL FOR PREVENTION OF PEELING
OF P.C.B. PATTERN.

△ R0.3はFPC導体部にかからないこと
R0.3 MUST NOT BE OVERLAPPED TO PATTERN OF FPC.

7. 本製品は54548-**-21の鉛フリー(部分金メッキ)品である。
THIS PRODUCT IS LEAD FREE OF 54548-**21 (SELECTIVE GOLD).

8. N: 極数 N: CIRCUIT.

2. エンボステーブ梱包時は、アクチュエータがロックした状態とする。
IN THE PACKAGE, ACTUATOR OF PART NO. 54548-**-29 SHOULD BE LOCKED.

△ ソルダータール半田付け面のズレ量、及び金具半田付け面のズレ量は、基準面 Z に対し上方向 0 MAX.、下方向 0.15 MAX. とし

柜巨のバラつき量は 0.1 MAX. とする。
MISALIGNMENT OF SOLDER TAILS AND FITTING NAILS FROM Z
UPPER DIRECTION: 0 MAX., LOWER DIRECTION: 0.15 MAX.
OFFSET BETWEEN UPPER AND LOWER 0.1 MAX.

△ 偶数極に適用。
APPLY FOR EVEN CIRCUIT.

FPC/FFC について:

打ち抜き方向は導体側から補強板側を推奨します。
導体部については軟銅箔35μmまたは50μmを推奨します。

ABOUT FPC/FFC
RECOMMENDED PUNCHER DIRECTION: FROM CONDUCTOR SIDE TO STIFFENER FILM SIDE.
RECOMMENDED CONDUCTOR SPEC: THICKNESS OF SOFT COPPER FOIL: 35 MICROMETER OR 50 MICROMETER.

FPC について:

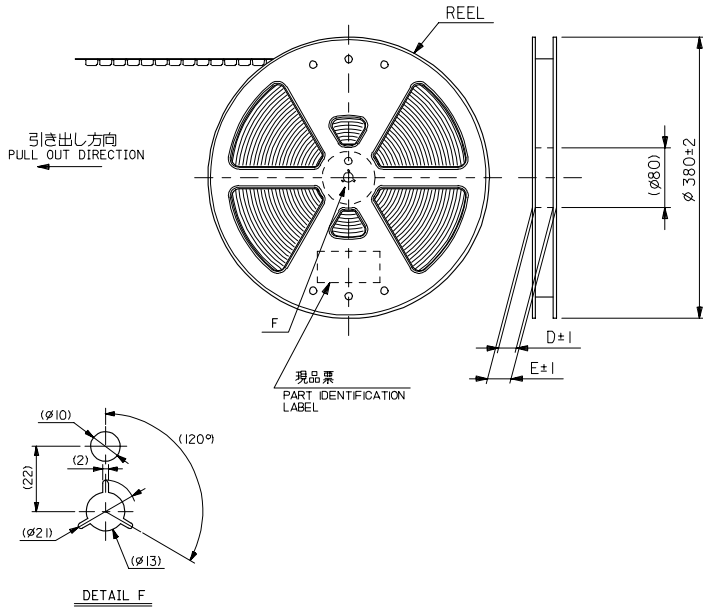
補強フィルム材質はポリイミドを推奨します。ベースフィルムは25μmを推奨します。
接着剤は熱硬化接着剤を推奨します。
尚、接着剤の接点部への付着は導通不良の原因になりますので、染み出しが無い様、お願い致します。

ABOUT FPC

RECOMMENDED MATERIAL/THICKNESS.
STIFFENER FILM: POLYIMIDE
BASE FILM THICKNESS: 25μm
BONDING AGENT: THERMOSETTING BONDING AGENT
PLEASE PUT APPROPRIATE AMOUNT OF ADHESIVE ON THE CONTACT AREA BECAUSE THE EXTRA ADHESIVE MAY CAUSE THE DEFECT IN ELECTRICAL CONTINUITY.

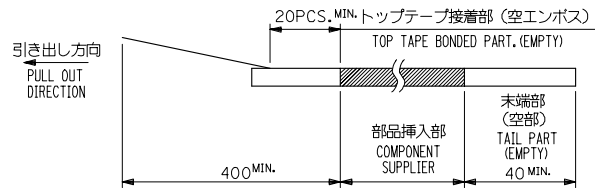
REVISED EC NO.: J2008-4048 DRAWN BY: 2008/06/13 CHKD: HARUYAMA APPR: NIKITA 2008/06/16	GENERAL TOLERANCES (UNLESS SPECIFIED)		DIMENSION STYLE MM ONLY		SCALE	54548-**-29	MODEL No.	
	10 UNDER	±0.2	DRAWN BY	DATE	---	DESIGN UNITS	THIRD ANGLE PROJECTION	
	10 OVER 30 UNDER	±0.25	HSI MABUKURO	'04/02/10		METRIC	0.5 FPC CONN ZIF HSG ASSY FOR SMT RA BTM CONT -LEAD FREE-	
	30 OVER	±0.3	CHECKED BY	DATE			MOLEX INCORPORATED	
	ANGULAR	±3°	APPROVED BY	DATE				
	DRAFT WHERE APPLICABLE MUST REMAIN WITHIN DIMENSIONS		MSASAO	'04/02/10				
	SIZE	SEE SHEET 1	MATERIAL NO.		DOCUMENT NO.	SHEET NO.		
	A3		SD-54548-039		2 OF 2			
	THIS DRAWING CONTAINS INFORMATION THAT IS PROPRIETARY TO MOLEX INCORPORATED AND SHOULD NOT BE USED WITHOUT WRITTEN PERMISSION							

10 9 8 7 6 5 4 3 2 1

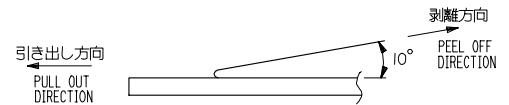


NOTES

- 製品詳細寸法については図面 SD-54548-039 を参照下さい。
RE DETAILED DIMENSION, SEE SD-54548-039
- 梱包数量: 3000個/リール
NUMBER OF CONNECTORS : 3000PCS/REEL
- リードテープ長さ LEAD TAPE LENGTH



- トップテープの剥離強度: 0.1N ~ 1.3N(10gf ~ 130gf)
(剥離方向は下図参照)
尚、本規格値は出荷時に適用。(但し、輸送時に剥離が発生しないこと。)
PEELING OFF FORCE OF TOP TAPE : 0.1N ~ 1.3N(10gf ~ 130gf)
(PEELING DIRECTION AS SHOWN IN FOLLOWING FIG.)
THIS REQUIREMENT SHOULD BE APPLIED AT SHIPMENT.
PEEL OFF SHOULD NOT BE ALLOWED , DURING TRANSPORTATION.



- 材料 (MATERIAL)
キャリアテープ (CARRIER TAPE): ポリプロピレン (POLYPROPYLENE)
トップテープ (TOP TAPE): PET, PE, PEF
リール (REEL): ポリスチレン (P.S.) <リサイクル材を含む>
POLYSTYRENE (P.S.) <RECYCLE MATERIAL CONTAINED>
- 本製品は 54548-**-**91 の鉛フリー (部分金メッキ) 品である。
THIS PRODUCT IS LEAD FREE OF 54548-**-**91 (SELECTIVE GOLDI).

REVISED		EC NO: J2006-3468		DRAWN BY: 2006/05/17		CHECKED BY: 2006/05/19		APPROVED BY: 2006/05/25		54548-**-**71		MODEL No.	
DESCRIPTION		GENERAL TOLERANCES (UNLESS SPECIFIED)		DIMENSION STYLE		SCALE		DESIGN UNITS		THIRD ANGLE PROJECTION			
10 UNDER		±0.2		MM ONLY		---		METRIC		☉			
10 OVER 30 UNDER		±0.25		DRAWN BY: HSHIMABUKURO		DATE: '04/02/10		TITLE		0.5 FPC CONN ZIF HSG			
30 OVER		±0.3		CHECKED BY: KTOJO		DATE: '04/02/10		MOLEX INCORPORATED		ASSY RA BOTTOM CONTACT			
ANGULAR		±3 °		APPROVED BY: MSASAO		DATE: '04/02/10		MATERIAL NO.		DOCUMENT NO.		SHEET NO.	
DRAFT WHERE APPLICABLE		MUST REMAIN		SEE CHART		SD-54548-040		1 OF 4					
WITHIN DIMENSIONS				SIZE		A3		THIS DRAWING CONTAINS INFORMATION THAT IS PROPRIETARY TO MOLEX					
								INCORPORATED AND SHOULD NOT BE USED WITHOUT WRITTEN PERMISSION					

10 9 8 7 6 5 4 3 2 1

F

E

D

C

B

A

F

E

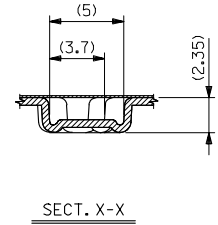
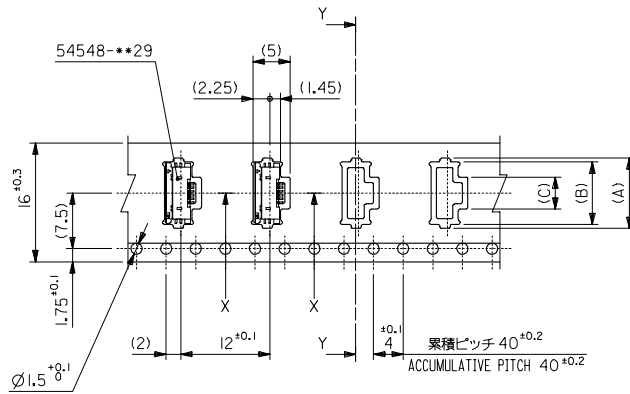
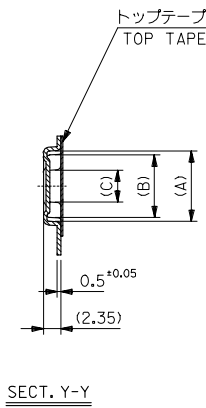
D

C

B

A

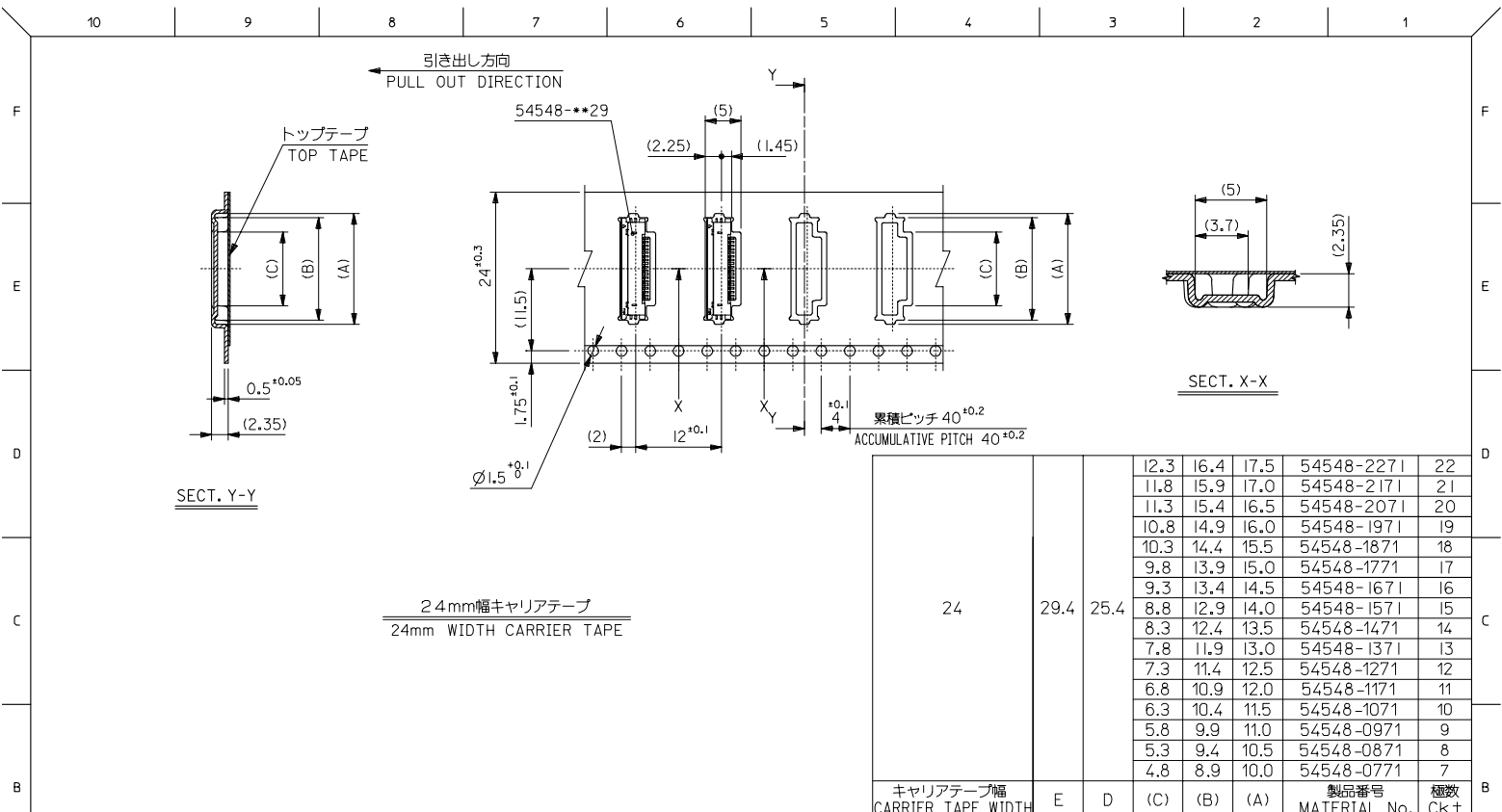
引き出し方向
PULL OUT DIRECTION



16mm幅キャリアテープ
16mm WIDTH CARRIER TAPE

16	21.4	17.4	4.3	8.4	9.5	54548-0671	6
			3.8	7.9	9.0	54548-0571	5
			3.3	7.4	8.5	54548-0471	4
キャリアテープ幅 CARRIER TAPE WIDTH			E	D	(C)	(B)	(A)
						54548-**71	MODEL No.
						製品番号	極数
						MATERIAL No.	CK+

REVISED EC NO: J2006-3468 DRAWN BY: DRUMMABEI CHKD BY: CHIKDKIYODA APPR. BY: APPERNIKITA	DESCRIPTION	GENERAL TOLERANCES (UNLESS SPECIFIED)		DIMENSION STYLE MM ONLY		SCALE	DESIGN UNITS	MODEL No.
		10 UNDER	±0.2	DRAWN BY	DATE	TITLE	THIRD ANGLE PROJECTION	
		10 OVER 30 UNDER	±0.25	HSHIMABUKURO	'04/02/10	0.5 FPC CONN ZIF HSG ASSY RA BOTTOM CONTACT -LEAD FREE-		
		30 OVER	±0.3	KTOJO	'04/02/10			
ANGULAR ±3 °		APPROVED BY	DATE	MOLEX INCORPORATED				
DRAFT WHERE APPLICABLE MUST REMAIN WITHIN DIMENSIONS		MSASAO	'04/02/10	SEE CHART		DOCUMENT NO.	SHEET NO.	
						SD-54548-040	2 OF 4	
				SIZE A3		THIS DRAWING CONTAINS INFORMATION THAT IS PROPRIETARY TO MOLEX INCORPORATED AND SHOULD NOT BE USED WITHOUT WRITTEN PERMISSION		



REVISED EC NO: J2006-3468 DRW: NIMBEI CHK: KATOYODA APP: NIKITA	DESCRIPTION 2006/05/17 2006/05/19 2006/05/25	GENERAL TOLERANCES (UNLESS SPECIFIED)		DIMENSION STYLE MM ONLY		SCALE ---	DESIGN UNITS METRIC	MODEL No. 54548-***71	
		10 UNDER	±0.2	DRAWN BY HSHIMABUKURO	DATE '04/02/10	TITLE 0.5 FPC CONN ZIF HSG ASSY RA BOTTOM CONTACT -LEAD FREE-			
		10 OVER 30 UNDER	±0.25	CHECKED BY KTOJO	DATE '04/02/10	MOLEX INCORPORATED			
		30 OVER	±0.3	APPROVED BY MSASAO	DATE '04/02/10				
ANGULAR ±3°		DRAFT WHERE APPLICABLE MUST REMAIN WITHIN DIMENSIONS		MATERIAL NO. SEE CHART		DOCUMENT NO. SD-54548-040		SHEET NO. 3 OF 4	
SIZE A3 THIS DRAWING CONTAINS INFORMATION THAT IS PROPRIETARY TO MOLEX INCORPORATED AND SHOULD NOT BE USED WITHOUT WRITTEN PERMISSION									

10 9 8 7 6 5 4 3 2 1

F

E

D

C

B

A

F

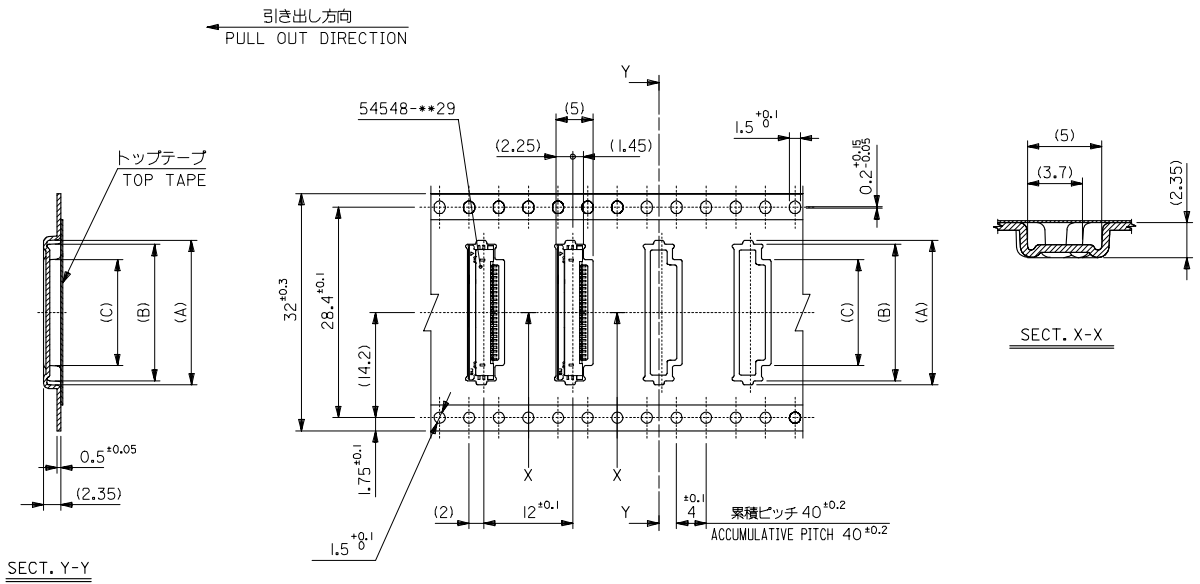
E

D

C

B

A



32mm幅キャリアテープ
32mm WIDTH CARRIER TAPE

32	37.4	33.4	14.3	18.4	19.5	54548-2671	26
			13.3	17.4	18.5	54548-2471	24
			12.8	16.9	18.0	54548-2371	23
キャリアテープ幅 CARRIER TAPE WIDTH			E	D	(C)	(B)	(A)
						製品番号 MATERIAL No.	極数 CK+

REVISED EC NO: J2006-3468 DR/M/MBEI 2006/05/17 CH/KDK/TOYODA 2006/05/19 APP/ENIKITA 2006/05/25 J	DESCRIPTION	GENERAL TOLERANCES (UNLESS SPECIFIED)	DIMENSION STYLE MM ONLY	SCALE ---	DESIGN UNITS METRIC	MODEL No. 54548-***71	THIRD ANGLE PROJECTION
	10 UNDER	±0.2	DRAWN BY HSHIMABUKURO	DATE '04/02/10	TITLE 0.5 FPC CONN ZIF HSG ASSY RA BOTTOM CONTACT -LEAD FREE-		
	10 OVER 30 UNDER	±0.25	CHECKED BY KTOJO	DATE '04/02/10	MOLEX INCORPORATED		
	30 OVER	±0.3	APPROVED BY MSASAO	DATE '04/02/10	DOCUMENT NO. SD-54548-040		
	ANGULAR	±3 °	DRAFT WHERE APPLICABLE MUST REMAIN WITHIN DIMENSIONS		MATERIAL NO. SEE CHART		SHEET NO. 4 OF 4