

## Excellent Integrated System Limited

Stocking Distributor

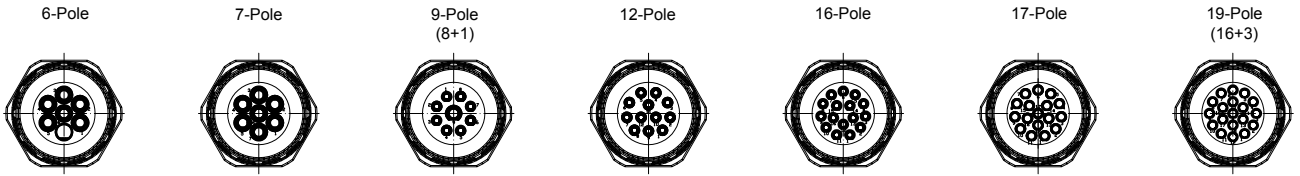
Click to view price, real time Inventory, Delivery & Lifecycle Information:

[Molex Connector Corporation](#)  
[1202300002](#)

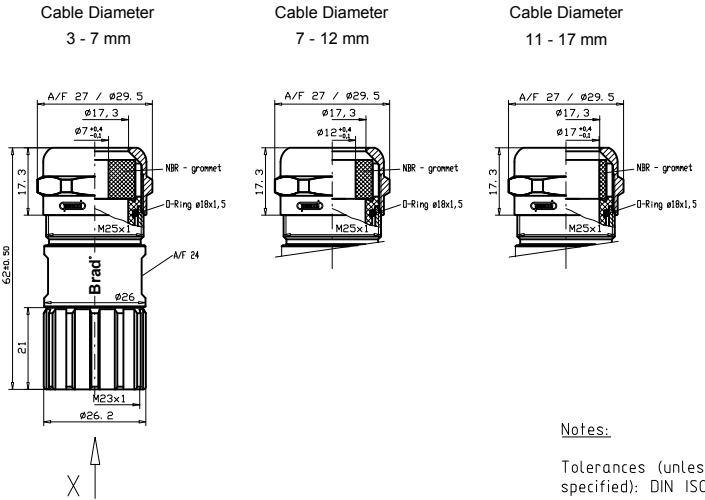
For any questions, you can email us directly:

[sales@integrated-circuit.com](mailto:sales@integrated-circuit.com)

Views from "X"



	Cable Diameter	Solder Contacts	Crimp Contacts	Without Contacts
6 Pole	3 - 7mm	KAS6S00-551	KAS6S00-401	KAS6S00-001
		1202300001	1202300004	1202300007
	7 - 12mm	KAS6S00-555	KAS6S00-405	KAS6S00-005
		1202300002	1202300005	1202300008
	Crimp range*		0,75-2,5mm <sup>2</sup>	
7 Pole	3 - 7mm	KAS7S00-551	KAS7S00-401	KAS7S00-001
		1202300010	1202300013	1202300016
	7 - 12mm	KAS7S00-555	KAS7S00-405	KAS7S00-005
		1202300011	1202300014	1202300017
	Crimp range*		0,75-2,5mm <sup>2</sup>	
9 Pole (8+1)	3 - 7mm	KAS9S00-551	KAS9S00-421	KAS9S00-001
		1202300019	1202300022	1202300025
	7 - 12mm	KAS9S00-555	KAS9S00-425	KAS9S00-005
		1202300020	1202300023	1202300026
	Crimp range*		0,34-1,0mm <sup>2</sup> /0,75-2,5mm <sup>2</sup>	
12 Pole	3 - 7mm	KASC500-551	KASC500-021	KASC500-001
		1202300028	1202300031	1202300034
	7 - 12mm	KASC500-555	KASC500-025	KASC500-005
		1202300029	1202300032	1202300035
	Crimp range*		0,34-1,0mm <sup>2</sup>	
16 Pole	3 - 7mm	KASHS00-551	KASHS00-021	KASHS00-001
		1202300037	1202300040	1202300043
	7 - 12mm	KASHS00-555	KASHS00-025	KASHS00-005
		1202300038	1202300041	1202300044
	Crimp range*		0,34-1,0mm <sup>2</sup>	
17 Pole	3 - 7mm	KASJS00-551	KASJS00-021	KASJS00-001
		1202300046	1202300049	1202300052
	7 - 12mm	KASJS00-555	KASJS00-025	KASJS00-005
		1202300047	1202300050	1202300053
	Crimp range*		0,34-1,0mm <sup>2</sup>	
19 Pole (16+3)	3 - 7mm	KASLS00-551	KASLS00-221	KASLS00-001
		1202300055	1202300058	1202300061
	7 - 12mm	KASLS00-555	KASLS00-225	KASLS00-005
		1202300056	1202300059	1202300062
	Crimp range*		0,34-1,0mm <sup>2</sup> /0,56-1,0mm <sup>2</sup>	



Notes:  
Tolerances (unless specified): DIN ISO 2768 m

\*Crimp range only applies to "Crimp Contacts" version

DESCRIPTION EC NO: WEL20080135 DRAWN: BRÄUCH CHKD: APPR.: JOKLA 2008/03/02	QUALITY SYMBOLS $\nabla = 0$ $\nabla = 0$	GENERAL TOLERANCES (UNLESS SPECIFIED)		DIMENSION STYLE	SCALE	DESIGN UNITS	FIRST ANGLE PROJECTION	
				MM	---	METRIC		
				mm	INCH	M23 FA CABLE CONNECTOR FEMALE STRAIGHT		
				DRAFT WHERE APPLICABLE MUST REMAIN WITHIN DIMENSIONS		see table		SD-120230-001
1	REV			MATERIAL NO.	DOCUMENT NO.	SHEET NO. 1 OF 1		