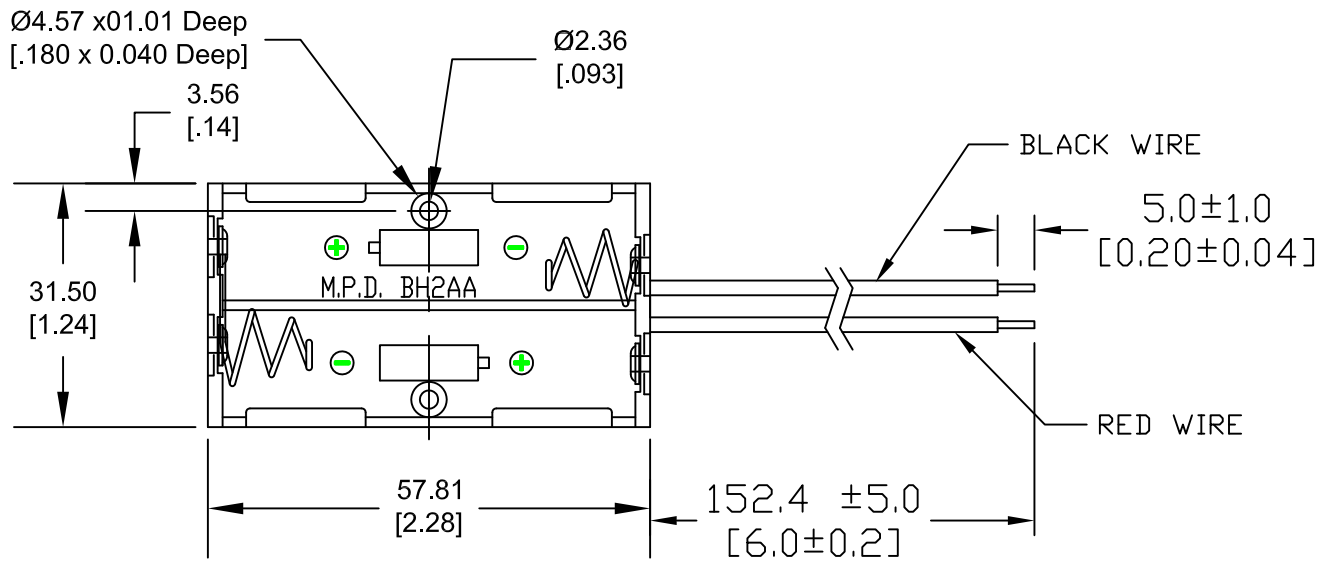
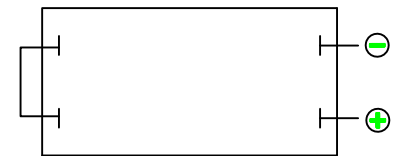
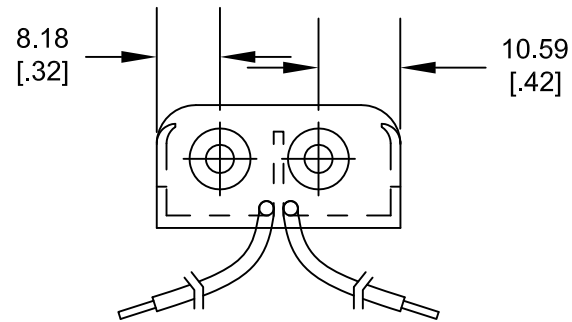
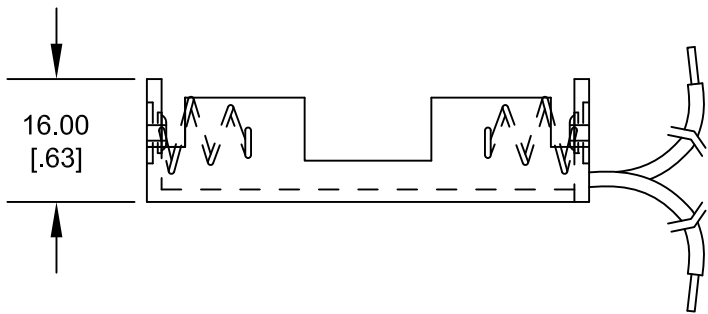


Date	SYM	REVISION RECORD	AUTH	DR.	CK.
10/24/14	C	Redrawn and Updated to ROHS 2 Compliant	T.B.	B.S.	



**MOUNTING INSTRUCTION:**

USE 2-56 MACHINE SCREWS OR EYELETS 0.089" OD BY 0.15" FLANGE STIMPSON GS-3 SERIES OR EQUIVALENT ALSO ADHESIVES AND DOUBLE SIDED TAPES WORK WELL.




INTER CONNECTION SCHEMATIC

**NOTES:**

**MATERIAL:**

HOUSING: IMPACT RESISTANCE NYLON #6, BLACK, UL 94V-0, MATERIAL FILE #UL E48285  
 SPRING: SPRING STEEL, NICKLE PLATED  
 CONTACTS: SPRING STEEL, NICKLE PLATED  
 EYELETS: BRASS, NICKLE PLTD.  
 WIRES: 24 AWG, 80°C, VW-1, TR-64, 300V, UL 1007 E41396  
 ROHS 2 COMPLIANT

Tolerance (Inches)	 <b>Memory Protection Devices, Inc</b> 200 Broad Hollow Road, Farmingdale, New York 11735		
Decimal ±.5 (.020)		Scale	Drawn By B.S.
Fractional ±.8 (.030)	Title 2AA BATTERY HOLDER WITH WIRE LEADS		
Angular ± 3°	Date 10/24/14	Drawing Number BH2AA-W	
		Approved By T.B.	