

Excellent Integrated System Limited

Stocking Distributor

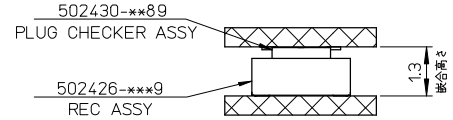
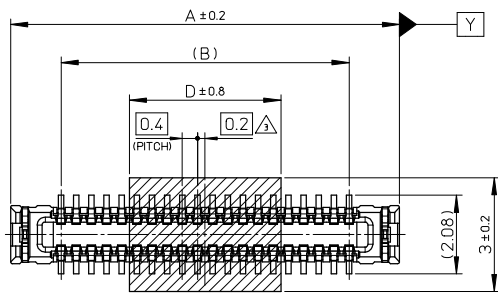
Click to view price, real time Inventory, Delivery & Lifecycle Information:

[Molex Connector Corporation](#)
[5024302680](#)

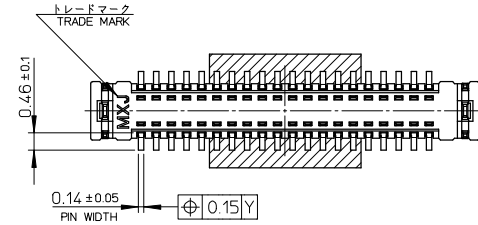
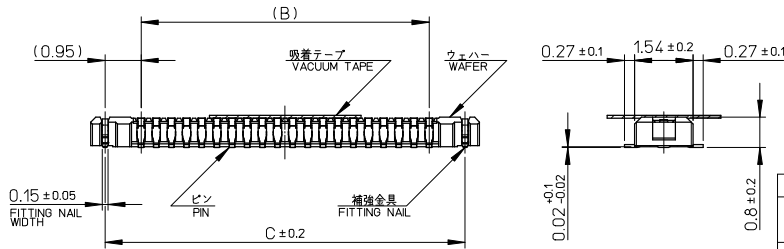
For any questions, you can email us directly:

sales@integrated-circuit.com

10 9 8 7 6 5 4 3 2 1



嵌合図(参考)
MATED DRAWING(REFERENCE)



10.0	19.5	17.6	20.26	502430-9080	502430-9089	90
7.0	13.5	11.6	14.26	502430-6080	502430-6089	60
	11.5	9.6	12.26	502430-5080	502430-5089	50
4.0	9.5	7.6	10.26	502430-4080	502430-4089	40
	7.9	6.0	8.66	502430-3280	502430-3289	32
3.4	6.7	4.8	7.46	502430-2680	502430-2689	26
	6.3	4.4	7.06	502430-2480	502430-2489	24
	5.9	4.0	6.66	502430-2280	502430-2289	22
2.4	5.5	3.6	6.26	502430-2080	502430-2089	20
	4.3	2.4	5.06	502430-1480	502430-1489	14
D	C	B	A	EMBOSSED TAPE		CKT.
				ORDER No.	MATERIAL No. : 502430-****	

RELEASED EC NO. J2009-0107 DRAWN: TANI GUCHI 01/2008/08/05 CHIKO SASAO 2008/08/06 APPROVED: MSASAO 2008/08/08	GENERAL TOLERANCES (UNLESS SPECIFIED)	DIMENSION STYLE MM ONLY	SCALE 10:1	DESIGN UNITS METRIC	TITLE 0.4 B-TO-B CONN. HGT=1.0 W=2.6 PLUG CHECKER ASSY WITH TAPE
	10 UNDER ±---	DRAWN BY TANIGUCHI 01/2008/07/15	DATE	THIRD ANGLE PROJECTION	MOLEX INCORPORATED SD-502430-007
	10 OVER 30 UNDER ±---	CHECKED BY THIRATA 2008/07/15	DATE	DOCUMENT NO.	
	30 OVER ±---	APPROVED BY MSASAO 2008/07/15	DATE	SHEET NO. 1 OF 2	
	ANGULAR ±---	DRAFT WHERE APPLICABLE MUST REMAIN WITHIN DIMENSIONS		THIS DRAWING CONTAINS INFORMATION THAT IS PROPRIETARY TO MOLEX INCORPORATED AND SHOULD NOT BE USED WITHOUT WRITTEN PERMISSION	

注記 NOTES

1. 使用材料 MATERIAL

ウェハ: 液晶ポリマー (LCP) ガラス充填 UL94V-0 (黒)
 WAFER LIQUID CRYSTAL POLYMER/GLASS FILLED UL94V-0 (COLOR:BLACK)
 ピン: りん青銅 (t=0.08)
 PIN: PHOSPHOR BRONZE (t=0.08)
 金具: りん青銅 (t=0.15)
 FITTING NAIL: PHOSPHOR BRONZE (t=0.15)
 吸着テープ: ポリイミド
 VACUUM TAPE: POLYIMIDE

2. メッキ仕様 PLATING

ピン PIN
 金メッキ 0.1 マイクロメートル以上
 GOLD 0.1 MICROMETER MINIMUM
 下地メッキ: ニッケルメッキ 1.0 マイクロメートル以上
 UNDER PLATING: NICKEL 1.0MICROMETER MINIMUM
 ※コンタクト部とテール部はニッケルメッキによって分断されている金メッキです。
 ※CONTACT PART AND THE TAIL PART BY THE NICKEL PLATING OF THE CONTACT AND THE TAIL PART BY THE NICKEL PLATING.
 ※封孔処理品

金具 FITTING NAIL

フラッシュ金メッキ
 FLASH Au PLATING
 下地メッキ: ニッケルメッキ 1.0 マイクロメートル以上
 UNDER PLATING: NICKEL 1.0MICROMETER MINIMUM

△ (全極数/2) = 偶数の場合に適用。
 APPLY FOR (CIRCUIT/2)=EVEN.

4. 嵌合相手: 502426 シリーズ
 MATE WITH: 502426 SERIES.

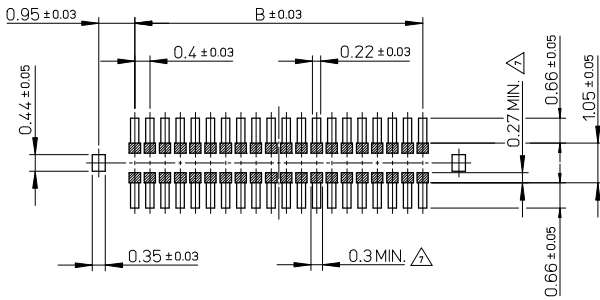
5. テール平坦度は、0.08 以下

テール及び金具の平坦度は、0.1 以下
 TAIL COPLANARITY TO BE 0.08MAXIMUM.
 TAIL AND FITTING NAIL COPLANARITY TO BE 0.1MAXIMUM.

6. ELV 及び RoHS 適合品
 ELV AND RoHS COMPLIANT.

△ 斜線部はパターン書込み禁止範囲と半田禁止範囲を示す。

ただし、斜線部に同一配線を配置する場合はレジストを施し、この部分に半田は無きこと。
 NO PATTERN CIRCUIT AND NO SOLDER ALLOWED IN THE SHADED AREA.
 HOWEVER, IF NEEDED TO ADD A TRACE OF THE SAME CIRCUIT, PUT THE SOLDER-RESIST.
 YET NO SOLDER ALLOWED IN THE AREA.

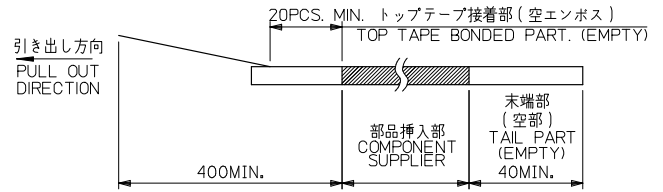


P.C. BOARD PATTERN LAYOUT
(REFERENCE)

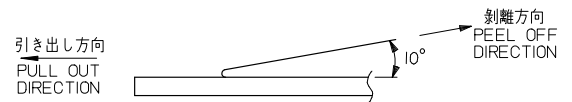
RELEASED EC NO. J2009-0107 DRAWN: TANI GUCHI 01/2008/08/05 CHKD: MSASAO 2008/08/06 APPR: MSASAO 2008/08/08	DESCRIPTION	GENERAL TOLERANCES (UNLESS SPECIFIED)		DIMENSION STYLE	SCALE	DESIGN UNITS	THIRD ANGLE PROJECTION
				MM ONLY	10:1	METRIC	◎ □
		10 UNDER	± --	DRAWN BY	DATE	TITLE	
		10 OVER	± ---	TANI GUCHI 01	2008/07/15	0.4 B-TO-B CONN. HGT=1.0 W=2.6 PLUG CHECKER ASSY WITH TAPE	
		30 UNDER	± ---	CHECKED BY	DATE		
		30 OVER	± ---	THIRATA	2008/07/15		
		ANGULAR	± --- °	APPROVED BY	DATE		
		DRAFT WHERE APPLICABLE MUST REMAIN WITHIN DIMENSIONS		MSASAO	2008/07/15		
				MATERIAL NO.	DOCUMENT NO.		
				SEE SHEET 1	SD-502430-007		
				SIZE			
				A3			
				THIS DRAWING CONTAINS INFORMATION THAT IS PROPRIETARY TO MOLEX INCORPORATED AND SHOULD NOT BE USED WITHOUT WRITTEN PERMISSION			
							SHEET NO. 2 OF 2

注記 NOTES

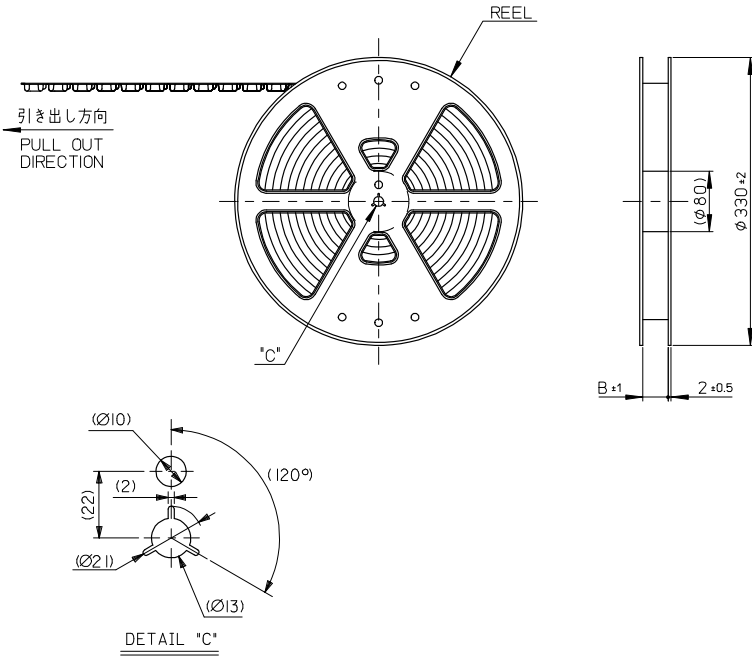
- 製品詳細寸法については製品単体図面を参照下さい。
RE DETAILED DIMENSION, SEE PRODUCT DRAWING.
- 梱包数量: 3000 個/リール
NUMBER OF CONNECTORS: 3000PCS/REEL
- リードテープ長さ LEAD TAPE LENGTH



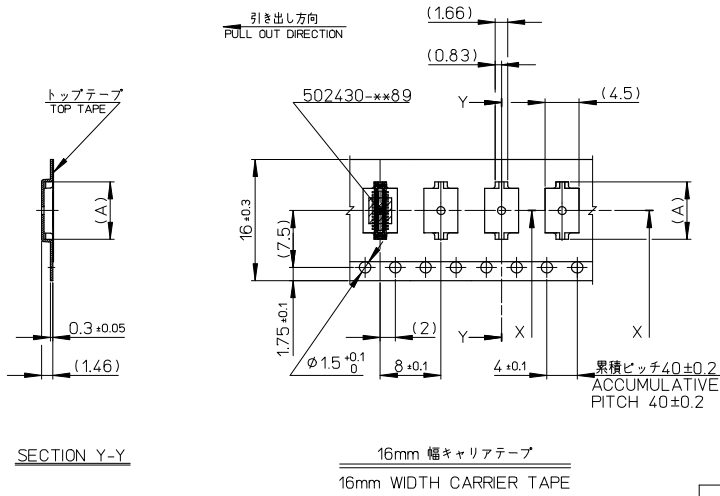
- トップテープの剥離強度: 0.1N~1.3N(10gf~130gf)
(剥離方向は下図参照)
尚、本規格値は出荷時に適用。(但し、輸送時に剥離が発生しないこと。)
PEELING OFF FORCE OF TOP TAPE: 0.1N~1.3N(10gf~130gf)
(PEELING DIRECTION AS SHOWN IN FOLLOWING FIG.)
THIS REQUIREMENT SHOULD BE APPLIED AT SHIPMENT.
PEEL OFF SHOULD NOT BE ALLOWED, DURING TRANSPORTION.



- 材料 MATERIAL
キャリアテープ (CARRIER TAPE): ポリスチレン (POLYSTYRENE)
トップテープ (TOP TAPE): PET, PE, PEF
リール (REEL): ポリスチレン (PS) <リサイクル材を含む>
POLYSTYRENE (PS) <RECYCLE MATERIAL CONTAINED>
- ELV及びRoHS適合品。
ELV AND RoHS COMPLIANT.

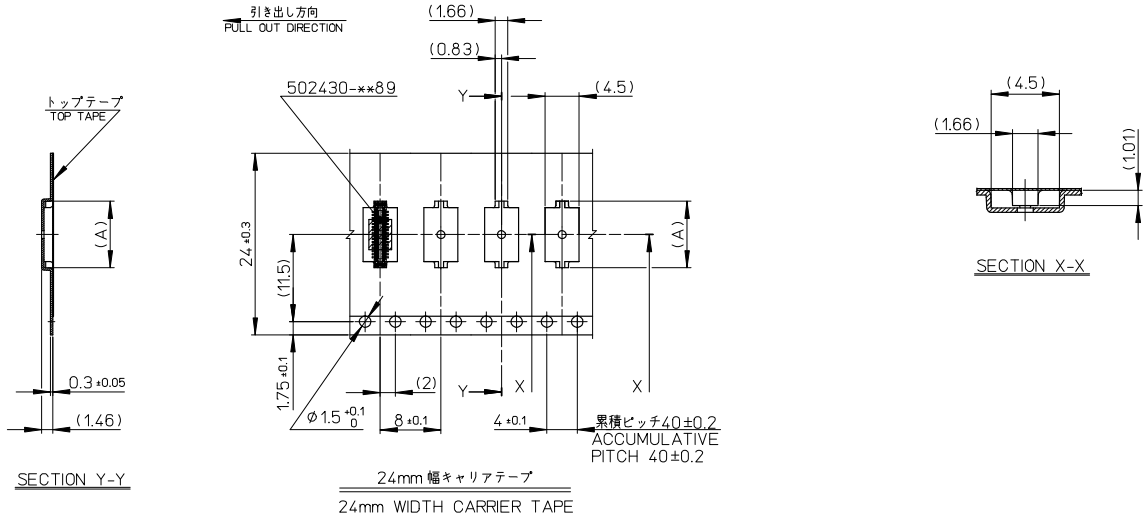


RELEASED		GENERAL TOLERANCES (UNLESS SPECIFIED)		DIMENSION STYLE		SCALE		MODEL NO.		502430-**80	
EC NO: J2009-0107		±---		MM ONLY		---		DESIGN UNITS		THIRD ANGLE PROJECTION	
DRAWN: ITANI GUCHI 2008/08/05		10 UNDER ±---		DRAWN BY		DATE		METRIC		TITLE	
CHKD: 2008/08/06		10 OVER 30 UNDER ±---		TTANI GUCHI 01		2008/07/15		0.4 B-T-O-B CONN. HGT=1.0		W=2.6 PLUG CHECKER ASSY	
APPR: MSASAO 2008/08/08		30 OVER ±---		CHECKED BY		DATE		WITH TAPE EMBSTP PKG		MOLEX INCORPORATED	
REEL DESCRIPTION		ANGULAR ±---		THIRATA		2008/07/15		MOLEX INCORPORATED		SHEET NO.	
DRAFT WHERE APPLICABLE MUST REMAIN WITHIN DIMENSIONS		APPROVED BY		MSASAO		2008/07/15		MATERIAL NO.		DOCUMENT NO.	
		SEE CHART		SD-502430-008		1 OF 4		INCORPORATED AND SHOULD NOT BE USED WITHOUT WRITTEN PERMISSION		EN-02JA(021)	

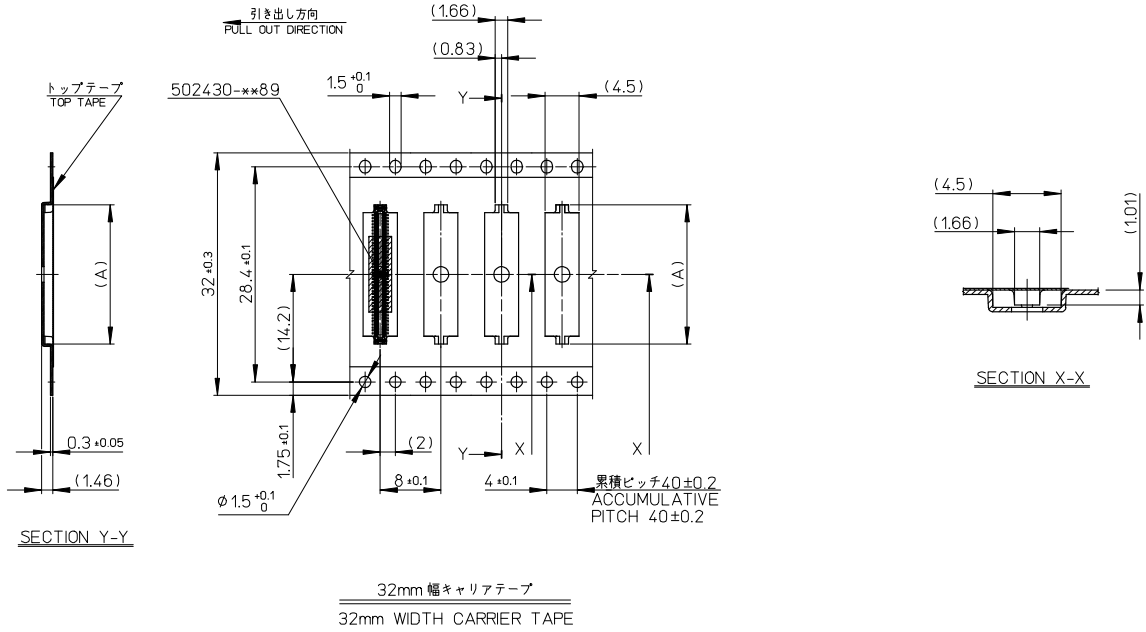


16	17.5	7.58	502430-2680	26	
		7.18	502430-2480	24	
		6.78	502430-2280	22	
		6.38	502430-2080	20	
		5.18	502430-1480	14	
キャリアテープ幅 CARRIER TAPE WIDTH		B	(A)	MATERIAL No.	CKT.
			MODEL No.	502430-**80	

RELEASED EC NO.: J2009-0107 DRAWN: ITANI GUCHI 12008/08/05 CHKD: MSASAO 2008/08/06 APPR: MSASAO 2008/08/08 REV: 0	GENERAL TOLERANCES (UNLESS SPECIFIED)	DIMENSION STYLE MM ONLY	SCALE ---	DESIGN UNITS METRIC	THIRD ANGLE PROJECTION
	10 UNDER ±---	DRAWN BY TTANIGUCHI 1012008/07/15	DATE 2008/07/15	TITLE 0.4 B-TO-B CONN. HGT=1.0 W=2.6 PLUG CHECKER ASSY WITH TAPE EMBSTP PKG	
	10 OVER 30 UNDER ±---	CHECKED BY THIRATA 2008/07/15	DATE 2008/07/15	MOLEX INCORPORATED	
	30 OVER ±---	APPROVED BY MSASAO 2008/07/15	DATE 2008/07/15	MATERIAL NO. SEE CHART	
	ANGULAR ±--- °	MATERIAL NO.	DOCUMENT NO. SD-502430-008	SHEET NO. 2 OF 4	
	DRAFT WHERE APPLICABLE MUST REMAIN WITHIN DIMENSIONS	SIZE A3	THIS DRAWING CONTAINS INFORMATION THAT IS PROPRIETARY TO MOLEX INCORPORATED AND SHOULD NOT BE USED WITHOUT WRITTEN PERMISSION		



24	25.5	14.38	502430-6080	60
		12.38	502430-5080	50
		10.38	502430-4080	40
		8.78	502430-3280	32
キャリアテープ幅 CARRIER TAPE WIDTH		B	(A)	MATERIAL No. CKT.
			MODEL No.	502430-**80
GENERAL TOLERANCES (UNLESS SPECIFIED)		DIMENSION STYLE MM ONLY		SCALE ---
10 UNDER ±---		DRAWN BY TTANIGUCHI		DATE 2008/07/15
10 OVER 30 UNDER ±---		CHECKED BY THIRATA		DATE 2008/07/15
30 OVER ±---		APPROVED BY MSASAO		DATE 2008/07/15
ANGULAR ±--- °		MATERIAL NO.		DOCUMENT NO.
DRAFT WHERE APPLICABLE MUST REMAIN WITHIN DIMENSIONS		SEE CHART		SD-502430-008
		SIZE A3		SHEET NO. 3 OF 4
THIS DRAWING CONTAINS INFORMATION THAT IS PROPRIETARY TO MOLEX INCORPORATED AND SHOULD NOT BE USED WITHOUT WRITTEN PERMISSION				



32	33.5	20.38	502430-9080	90
キャリアテープ幅 CARRIER TAPE WIDTH		B	(A)	MATERIAL No. CKT.
			MODEL No. 502430-**80	
DIMENSION STYLE MM ONLY		SCALE ---	DESIGN UNITS METRIC	THIRD ANGLE PROJECTION
RELEASED	GENERAL TOLERANCES (UNLESS SPECIFIED)	TITLE 0.4 B-TO-B CONN. HGT=1.0 W=2.6 PLUG CHECKER ASSY WITH TAPE EMBSTP PKG		
EC NO.: J2009-0107	10 UNDER ±---	DRAWN BY DATE TTANIGUCHI 2008/07/15		
DRW: ITTANIGUCHI 12008/08/05	10 OVER 30 UNDER ±---	CHECKED BY DATE THIRATA 2008/07/15		
CHK: MSASAO 2008/08/06	30 OVER ±---	APPROVED BY DATE MSASAO 2008/07/15		
APP: MSASAO 2008/08/08	ANGULAR ±--- °	MATERIAL No. DOCUMENT No. SD-502430-008		
0	DRAFT WHERE APPLICABLE MUST REMAIN WITHIN DIMENSIONS	SEE CHART		SHEET No. 4 OF 4
THIS DRAWING CONTAINS INFORMATION THAT IS PROPRIETARY TO MOLEX INCORPORATED AND SHOULD NOT BE USED WITHOUT WRITTEN PERMISSION				