

Excellent Integrated System Limited

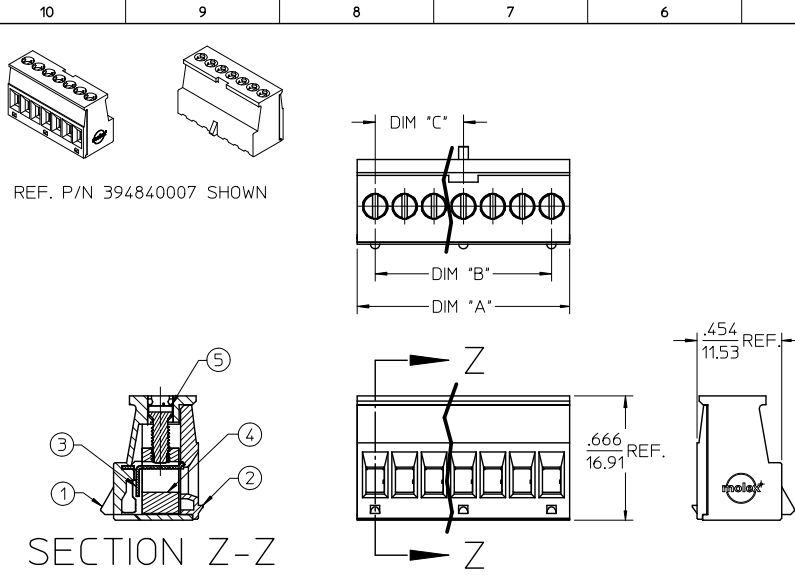
Stocking Distributor

Click to view price, real time Inventory, Delivery & Lifecycle Information:

[Molex Connector Corporation](#)
[0394840010](#)

For any questions, you can email us directly:

sales@integrated-circuit.com



REF. P/N 394840007 SHOWN

SECTION Z-Z

NOTES:

1. MATERIALS: SEE CHART.
 2. FINISHES: SEE CHART.
 3. PRODUCT SPECIFICATION: PS-39484-001
 4. PACKAGING SPECIFICATION: PK-39482-001
 5. MATES WITH TIN PLATED SERIES 39485 HEADER ASSEMBLIES.
 6. ALL DIMENSIONS ARE REFERENCE.
 7. ASSEMBLY IS ROHS COMPLIANT BY EXEMPTION.
- COMPONENTS MARKED WITH AN ASTERISK (*) ARE ROHS COMPLIANT BY EXEMPTION, ALL OTHERS ARE ROHS COMPLIANT.

CIRCUIT SIZE	PLUG ASSEMBLY MATERIAL NO.	DIM "A"	DIM "B"	DIM "C"
2	39484-0002	.351/8.92	.158/4.00	.000/0.00
3	39484-0003	.508/12.90	.315/8.00	.000/0.00
4	39484-0004	.666/16.92	.473/12.00	.158/4.00
5	39484-0005	.823/20.90	.630/16.00	.315/8.00
6	39484-0006	.981/24.92	.788/20.00	.315/8.00
7	39484-0007	1.138/28.91	.945/24.00	.473/12.00
8	39484-0008	1.296/32.92	1.103/28.00	.473/12.00
9	39484-0009	1.453/36.91	1.260/32.00	.630/16.00
10	39484-0010	1.611/40.92	1.418/36.00	.630/16.00
11	39484-0011	1.768/44.91	1.575/40.00	.788/20.00
12	39484-0012	1.926/48.92	1.733/44.00	.788/20.00
13	39484-0013	2.083/52.91	1.890/48.00	.945/24.00
14	39484-0014	2.241/56.92	2.048/52.00	.945/24.00
15	39484-0015	2.398/60.78	2.205/56.00	1.103/28.00
16	39484-0016	2.556/64.92	2.363/60.00	1.103/28.00
17	39484-0017	2.713/68.91	2.520/64.00	1.260/32.00
18	39484-0018	2.871/72.92	2.678/68.00	1.260/32.00
19	39484-0019	3.028/76.91	2.835/72.00	1.418/36.00
20	39484-0020	3.186/80.92	2.993/76.00	1.418/36.00
21	39484-0021	3.343/84.91	3.150/80.00	1.575/40.00
22	39484-0022	3.501/88.93	3.308/84.00	1.575/40.00
23	39484-0023	3.658/92.91	3.465/88.00	1.733/44.00
24	39484-0024	3.816/96.93	3.623/92.00	1.733/44.00

ITEM #	QTY.	DESCRIPTION	MATERIAL & FINISH
5	XX	SCREW	STEEL, NICKEL PLATED
4	XX	CAGE (*)	COPPER ALLOY, NICKEL PLATED
3	XX	TERMINAL	COPPER ALLOY, 100μ" TIN PLATED
2	1	COVER	GLASS FILLED POLYAMIDE 6T/66, BLACK
1	1	BODY	GLASS FILLED POLYAMIDE 6T/66, BLACK

REV'D NOTES: TB WAS MAP EC NO: WNA2012-0110 2011/08/19 DRWINSTONE 2011/11/23 CHKDK-JOZNIK 2011/11/23 APPRETTIUS 2011/11/23	QUALITY SYMBOLS ▽=0 ▽=0	GENERAL TOLERANCES (UNLESS SPECIFIED)		DIMENSION STYLE IN/MM		SCALE 2:1	DESIGN UNITS INCH	THIRD ANGLE PROJECTION	
		4 PLACES ± --- ± --- 3 PLACES ± --- ± .015 2 PLACES ± 0.38 ± --- 1 PLACE ± --- ± ---	mm INCH	DRAWN BY C. YORK	DATE 2008/05/21	TITLE 4.00MM PLUG ASSEMBLY TIN PLATING			
		ANGULAR ± 1°	DRAFT WHERE APPLICABLE MUST REMAIN WITHIN DIMENSIONS	CHECKED BY R. DEROSS	DATE 2008/05/21	APPROVED BY R. DEROSS			
		MATERIAL NO. SEE CHART	DOCUMENT NO. SD-39484-001	MOLEX INCORPORATED		SHEET NO. 1 OF 1			