

Excellent Integrated System Limited

Stocking Distributor

Click to view price, real time Inventory, Delivery & Lifecycle Information:

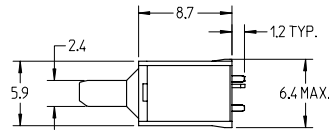
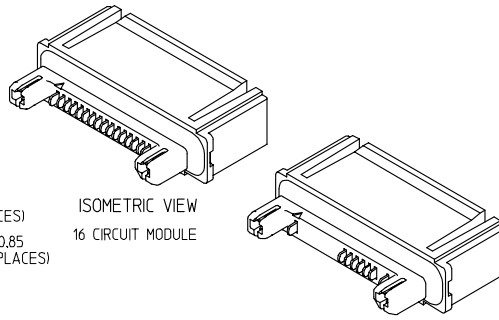
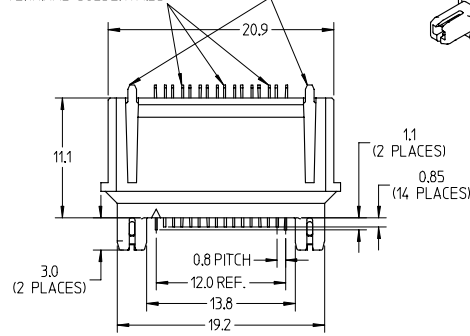
[Molex Connector Corporation](#)

[0455931603](#)

For any questions, you can email us directly:

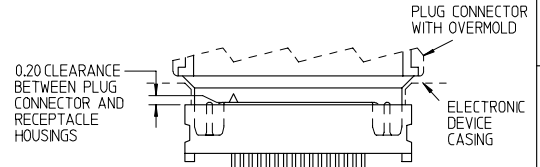
sales@integrated-circuit.com

TERMINAL SOLDERTAILS LATCH SOLDERTAILS



NOTES:

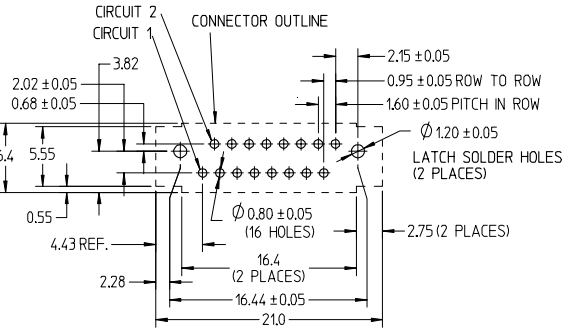
1. MATERIALS:
HOUSING - THEROPLASTIC, UL94V-0, COLOR: BLACK
TERMINALS - COPPER ALLOY
LATCHES - STAINLESS STEEL
2. FINISHES: GOLD OVER PALLADIUM-NICKEL ON CONTACT AREAS,
TIN ON SOLDER AREAS, BOTH OVER NICKEL.
3. PRODUCT SPECIFICATION: PS-44828-001
APPLICATION SPECIFICATION: AS-44828-001
4. PLEASE REFER TO MOLEX APPLICATION SPECIFICATION NO. AS-45593-001
FOR RECOMMENDATIONS FOR OVER-MOLDING AFTER CABLE ASSEMBLY.
5. PACKAGED IN VACUUM-FORMED TRAYS (2100 PIECES PER CARTON).



RECOMMENDATIONS FOR CONFIGURATION OF MATED CONNECTORS

IMPORTANT: PLEASE REFER TO MOLEX APPLICATION SPECIFICATION AS-44828-001 FOR DETAILED DESIGN LAYOUT AND MATING REQUIREMENTS

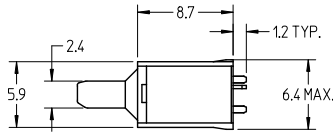
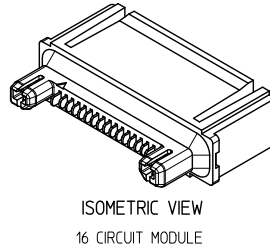
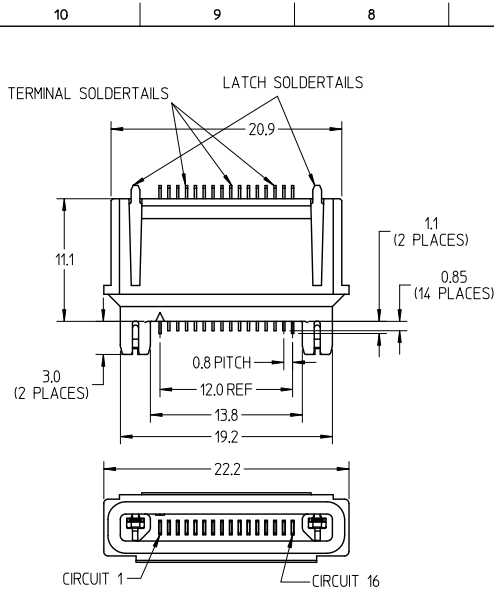
NO. OF CIRCUITS	1	2	3	4	5	6	7	8	9	10	11	12	13	14	15	16	MATERIAL NO.S
5				X	X	X	X									X	455931607
14	X	X	X	X	X	X	X		X	X	X	X	X	X	X	X	455931606
15	X	X	X	X	X	X	X	X	X	X	X	X	X	X	X	X	455931605
10	X	X	X	X	X	X	X		X	X		X	X				455931604
9	X								X	X	X	X	X	X		X	455931603
8	X								X	X	X	X	X	X		X	455931602
2	X															X	455931601
16	X	X	X	X	X	X	X	X	X	X	X	X	X	X	X	X	455931600



PCB HOLE LAYOUT (CONNECTOR MOUNTING SIDE)

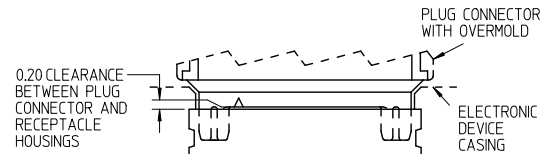
REV	DESCRIPTION	QUALITY SYMBOLS	GENERAL TOLERANCES (UNLESS SPECIFIED)		SCALE 3:1	DESIGN UNITS METRIC	THIRD ANGLE PROJECTION	REVISE ON CAD ONLY
			mm	INCH				
A1	REVISED PER EC EC NO. LCP2006-7962 DRAWN:MSIMMEL 2006/08/07 CHKD:MSIMMEL 2006/08/07 APPR:JCOMERCI 2006/08/29	▽-0 ▽-0	4 PLACES ± ---	± ---				
			3 PLACES ± ---	± ---				
			2 PLACES ± 0.10	± ---				
			1 PLACE ± 0.13	± ---				
			ANGULAR ± 1/2°					
			DRAFT WHERE APPLICABLE					
			MUST REMAIN WITHIN DIMENSIONS					
			THIS DRAWING CONTAINS INFORMATION THAT IS PROPRIETARY TO MOLEX INCORPORATED AND SHOULD NOT BE USED WITHOUT WRITTEN PERMISSION					

TITLE	MATERIAL NO.	DOCUMENT NO.	SHEET NO.
0.8MM HANDYLINK™ PLUG CONNECTOR MODULES FOR PCB TERMINATION		SD-45593-001	1 OF 26
MOLEX INCORPORATED			



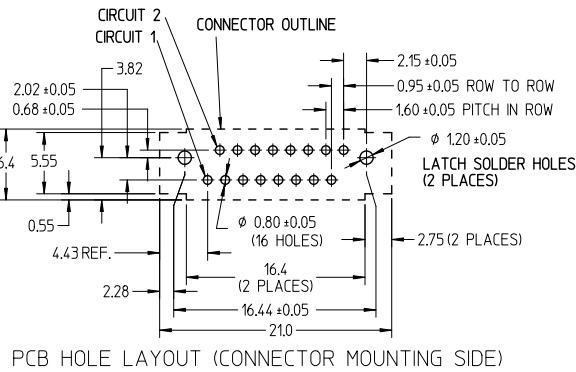
NOTES:

1. MATERIALS:
HOUSING - THERMOPLASTIC, UL94V-0, COLOR: BLACK
TERMINALS - COPPER ALLOY
LATCHES - STAINLESS STEEL
2. FINISHES: GOLD OVER PALLADIUM-NICKEL ON CONTACT AREAS,
TIN ON SOLDER AREAS, BOTH OVER NICKEL.
3. PRODUCT SPECIFICATION: PS-44828-001
APPLICATION SPECIFICATION: AS-44828-001
4. PACKAGED IN VACUUM-FORMED TRAYS (924 PIECES PER PRIMARY CARTON).
5. CIRCUITS 1 AND 16 ARE FIRST MATE/LAST BREAK.



RECOMMENDATIONS FOR CONFIGURATION OF MATED CONNECTORS

IMPORTANT: PLEASE REFER TO MOLEX APPLICATION SPECIFICATION AS-44828-001 FOR DETAILED DESIGN LAYOUT AND MATING REQUIREMENTS



INITIAL RELEASE EC NO: UCP2012-1647 DRW:DMORGAN 2011/12/20 CHK:MMIBARRA 2011/12/20 APPR:SMILLER 2012/02/03 REV: A	QUALITY SYMBOLS	GENERAL TOLERANCES (UNLESS SPECIFIED)	DIMENSION STYLE	SCALE	DESIGN UNITS	THIRD ANGLE PROJECTION
	▽=0	mm INCH	MM ONLY	3:1	METRIC	
	▽=0	4 PLACES ± --- ± ---	DRAWN BY DATE			
	▽=0	3 PLACES ± --- ± ---	CHECKED BY DATE			
		2 PLACES ± 0.13 ± ---	MIBARRA 2011/12/20			
		1 PLACE ± 0.15 ± ---	APPROVED BY DATE			
		ANGULAR ± 1/2°	SMILLER 2012/02/03			
		DRAFT WHERE APPLICABLE MUST REMAIN WITHIN DIMENSIONS	MATERIAL NO.	DOCUMENT NO.		
			45593-3600	SD-45593-3600		
			SIZE B	THIS DRAWING CONTAINS INFORMATION THAT IS PROPRIETARY TO MOLEX INCORPORATED AND SHOULD NOT BE USED WITHOUT WRITTEN PERMISSION		