



Distributor of Molex Connector Corporation: Excellent Integrated System Limited
Datasheet of 0472720026 - Connector Receptacle DisplayPort 20 Position Surface Mount,
Right Angle, Horizontal

Contact us: sales@integrated-circuit.com Website: www.integrated-circuit.com

Excellent Integrated System Limited

Stocking Distributor

Click to view price, real time Inventory, Delivery & Lifecycle Information:

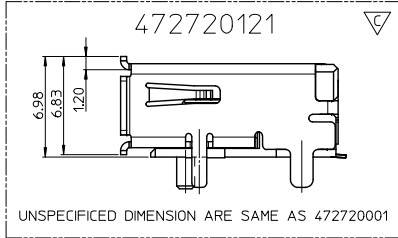
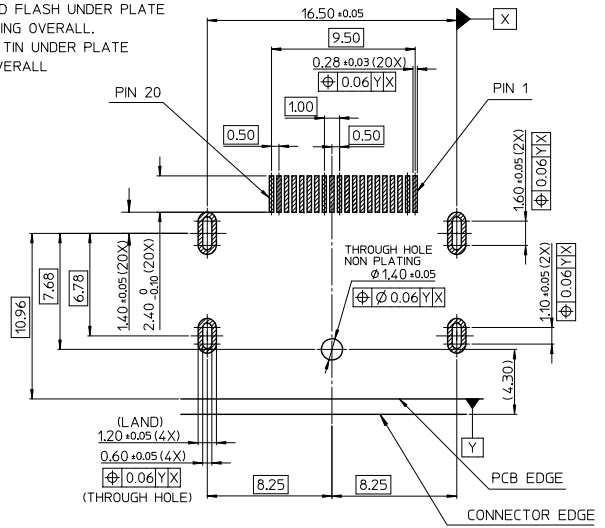
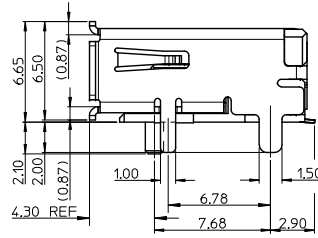
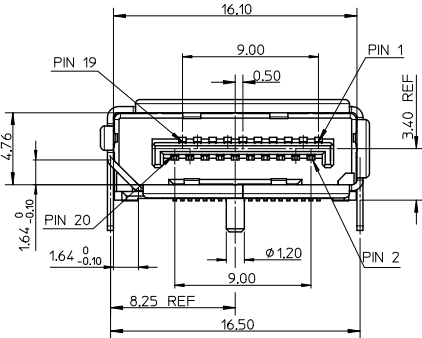
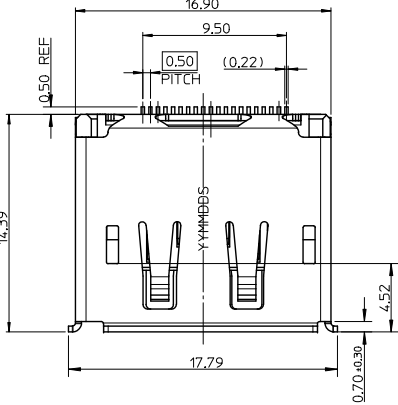
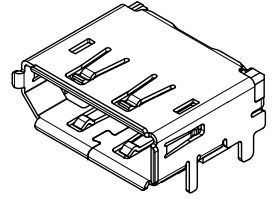
[Molex Connector Corporation](#)
[0472720026](#)

For any questions, you can email us directly:
sales@integrated-circuit.com

Contact us: sales@integrated-circuit.com Website: www.integrated-circuit.com

NOTES:

- MATERIAL:
HOUSING: LIQUID CRYSTAL POLYMER, BLACK, 30% GLASS FILLED, UL94V-0.
TERMINAL: BRASS.
SHELL: STAINLESS STEEL FOR WITHOUT FLANGE PART & PHOSPHOR BRONZE FOR WITH FLANGE PART
- PLATING:
TERMINAL:
CONTACT AREA: (1). 0.76 MICROMETER (30 μ) GOLD PLATING
(2). 0.38 MICROMETER (15 μ) GOLD PLATING
(3). GOLD FLASH PLATING
AND SOLDER TAIL: 1-3 MICROMETER (39-118 μ) MATT TIN UNDER PLATE
2-4 MICROMETER (79-158 μ) NICKEL PLATING OVERALL.
- SHELL:
(a). 1.27-2.54 MICROMETER (50-100 μ) SOLDERABLE NICKEL PLATING OVERALL.
(b). SHELL PEG SOLDERING SURFACE PLATE GOLD FLASH UNDER PLATE
1-3 MICROMETER (39-118 μ) NICKEL PLATING OVERALL.
(c). SHELL PLATE 2.0-4.0 MICROMETER (79-158 μ) TIN UNDER PLATE
1.27-3.0 MICROMETER (50-118 μ) NICKEL OVERALL
- SOLDERTAIL COPLANARITY 0.10 MAX.
PS REFER TO PS-47272-001

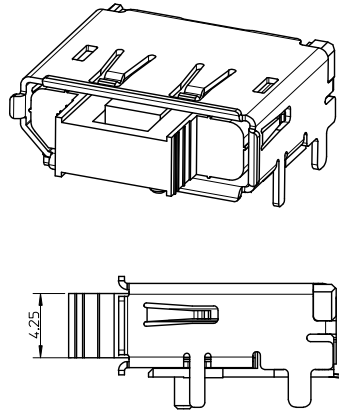
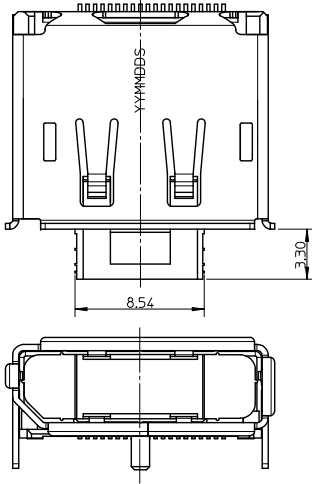


RECOMMENDED PCB LAYOUT (THICKNESS=1.6±0.15)

REVISED EC. NO: SH2015-0381 DRAWN: RZHANG CHKD: RZHANG APPR: ATIN REV: 3	DESCRIPTION 2015/03/19 2015/04/29	QUALITY SYMBOLS	GENERAL TOLERANCES (UNLESS SPECIFIED)	DIMENSION STYLE	SCALE	DESIGN UNITS	THIRD ANGLE PROJECTION	
		$\nabla=0$ $\nabla=0$ $\nabla=0$	mm INCH 4 PLACES ± --- ± --- 3 PLACES ± --- ± --- 2 PLACES ± 0.25 ± --- 1 PLACE ± 0.25 ± --- ANGULAR ± 3°	MM ONLY	1:1	METRIC	DRAWN BY: RZHANG DATE: 2005/07/01 CHECKED BY: IWANG DATE: 2005/07/01 APPROVED BY: RZHANG DATE: 2010/03/26	TITLE: 1.0MM PITCH DISPLAY PORT RECEPTACLE ASSEMBLY MOLEX INCORPORATED DOCUMENT NO. SD-47272-001 SHEET NO. 1 OF 8
		DRAFT WHERE APPLICABLE MUST REMAIN WITHIN DIMENSIONS	MATERIAL NO. SEE SHEET 8	THIS DRAWING CONTAINS INFORMATION THAT IS PROPRIETARY TO MOLEX INCORPORATED AND SHOULD NOT BE USED WITHOUT WRITTEN PERMISSION				

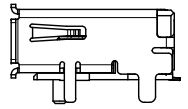
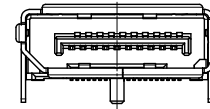
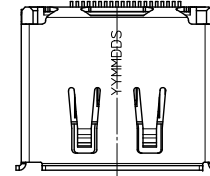
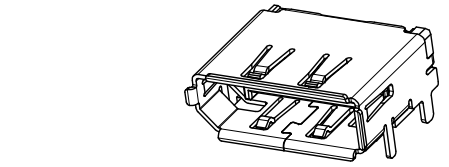
Contact us: sales@integrated-circuit.com Website: www.integrated-circuit.com

WITH COVER



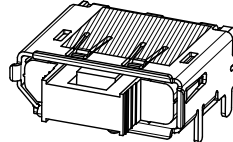
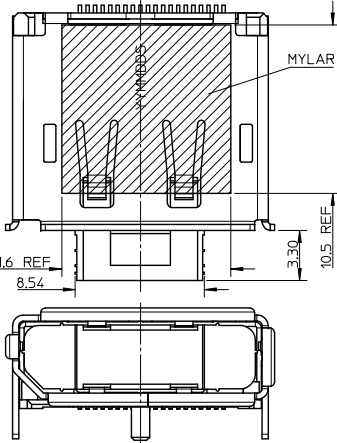
NOTES:
1.UNSPECIFIED DIMENSION ARE SAME AS SHEET1
2.CONNCTOR WITH COVER IS USED FOR WARE SOLDERING PEG

WITHOUT LATCH HOLE



NOTES:
1.UNSPECIFIED DIMENSION ARE SAME AS SHEET1

WITH COVER AND MYLAR

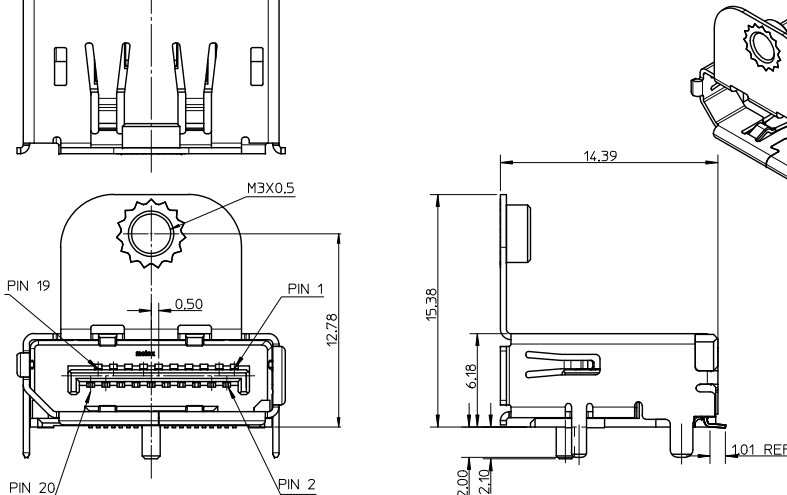


NOTES:
1.UNSPECIFIED DIMENSION ARE SAME AS SHEET1
2.CONNCTOR WITH COVER IS USED FOR WARE SOLDERING PEG

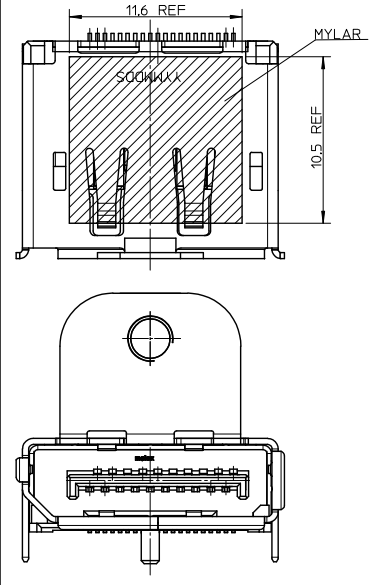
REVISED EC. NO.: SH2015-0381 DRAWN: RZHANG CHKD: APPR: ATIN	DESCRIPTION 2015/03/19 2015/04/29	QUALITY SYMBOLS	GENERAL TOLERANCES (UNLESS SPECIFIED)	DIMENSION STYLE MM ONLY	SCALE 1:1	DESIGN UNITS METRIC	THIRD ANGLE PROJECTION																	
		$\nabla=0$ $\nabla=0$ $\nabla=0$	<table border="1"> <tr> <th></th> <th>mm</th> <th>INCH</th> </tr> <tr> <td>4 PLACES</td> <td>±---</td> <td>±---</td> </tr> <tr> <td>3 PLACES</td> <td>±---</td> <td>±---</td> </tr> <tr> <td>2 PLACES</td> <td>±0.25</td> <td>±---</td> </tr> <tr> <td>1 PLACE</td> <td>±0.25</td> <td>±---</td> </tr> <tr> <td colspan="3">ANGULAR ± 3°</td> </tr> </table>		mm	INCH	4 PLACES	±---	±---	3 PLACES	±---	±---	2 PLACES	±0.25	±---	1 PLACE	±0.25	±---	ANGULAR ± 3°			DRAWN BY: RZHANG CHECKED BY: IWANG APPROVED BY: RZHANG DATE: 2005/07/01 DATE: 2005/07/01 DATE: 2010/03/26	TITLE 1.0MM PITCH DISPLAY PORT RECEPTACLE ASSEMBLY	MATERIAL NO. SEE SHEET 8
	mm	INCH																						
4 PLACES	±---	±---																						
3 PLACES	±---	±---																						
2 PLACES	±0.25	±---																						
1 PLACE	±0.25	±---																						
ANGULAR ± 3°																								

Contact us: sales@integrated-circuit.com Website: www.integrated-circuit.com

WITH FLANGE AND THROUGH HOLE PEG

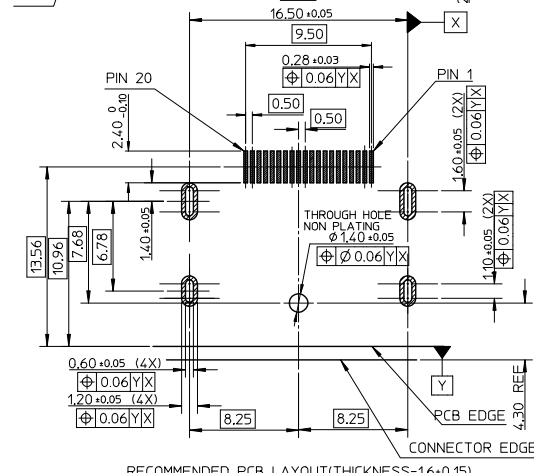


WITH MYLAR



NOTES:
UNSPECIFIED DIMENSION ARE SAME AS SHEET 1

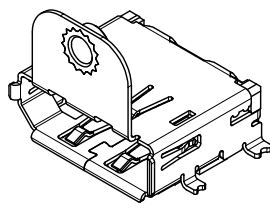
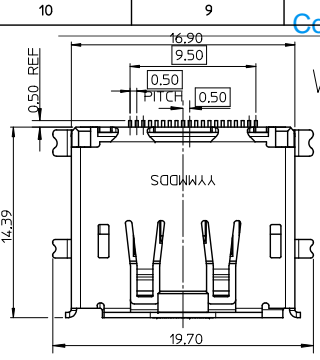
NOTES:
UNSPECIFIED DIMENSION ARE SAME AS SHEET 1



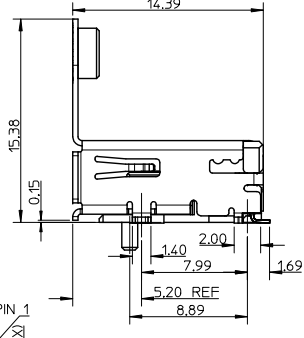
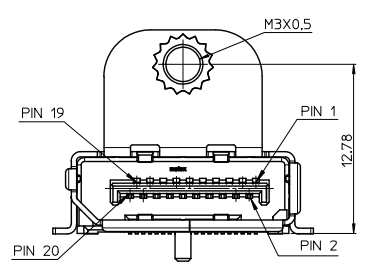
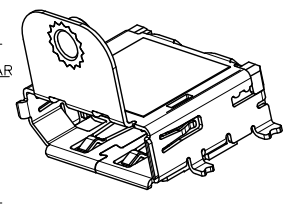
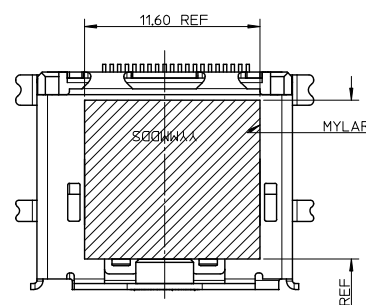
REVISED EC NO. SH2015-0381 DRAWN: RZHANG CHKD: APPR: ATIN REV: 2015/03/19 2015/04/29	QUALITY SYMBOLS	GENERAL TOLERANCES (UNLESS SPECIFIED)	DIMENSION STYLE MM ONLY	SCALE 1:1	DESIGN UNITS METRIC	THIRD ANGLE PROJECTION	
	$\nabla=0$ $\nabla=0$ $\nabla=0$	4 PLACES ± --- ± --- 3 PLACES ± --- ± --- 2 PLACES ± 0.25 ± --- 1 PLACE ± 0.25 ± --- ANGULAR ± 3 °	DRAWN BY: RZHANG DATE: 2005/07/01 CHECKED BY: IWANG DATE: 2005/07/01 APPROVED BY: RZHANG DATE: 2010/03/26	TITLE	1.0MM PITCH DISPLAY PORT RECEPTACLE ASSEMBLY		
	DRAFT WHERE APPLICABLE MUST REMAIN WITHIN DIMENSIONS	SEE SHEET 8	MATERIAL NO.	MOLEX INCORPORATED			
	SIZE: A3	THIS DRAWING CONTAINS INFORMATION THAT IS PROPRIETARY TO MOLEX INCORPORATED AND SHOULD NOT BE USED WITHOUT WRITTEN PERMISSION		DOCUMENT NO.	SD-47272-001	SHEET NO.	3 OF 8

Contact us: sales@integrated-circuit.com Website: www.integrated-circuit.com

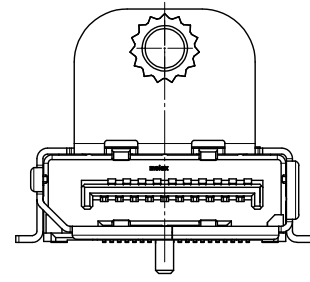
WITH FLANGE AND SMT PEG



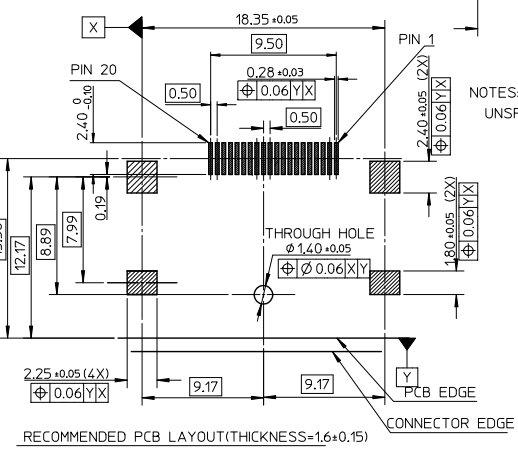
WITH FLANGE AND MYLAR



NOTES:
UNSPECIFIED DIMENSION ARE SAME AS SHEET1



NOTES:
1.UNSPECIFIED DIMENSION ARE SAME AS SHEET1
2.THE RECOMMENDER PCB ARE SAME AS LEFT RECOMMENDER PCB



REVISED	EC NO. SH2015-0381	2015/03/19	2015/04/29
DRWNR:RZHANG	CHKD:	APPR:ATIN	REV

QUALITY SYMBOLS
▽=0
▽=0
▽=0

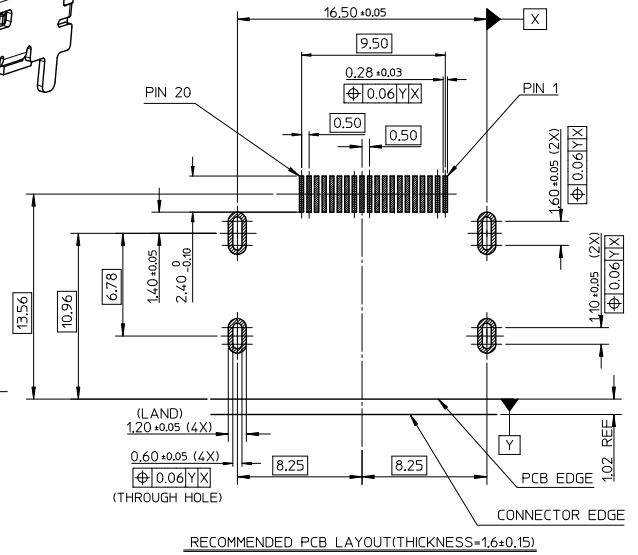
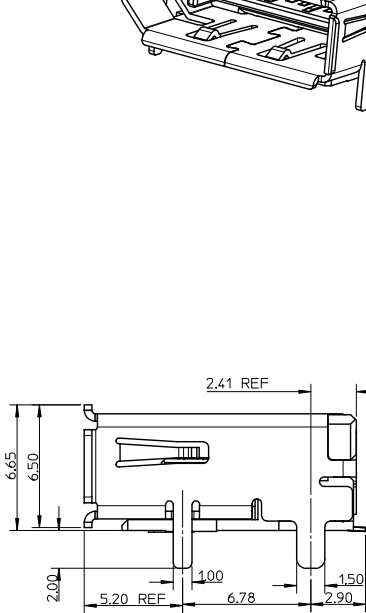
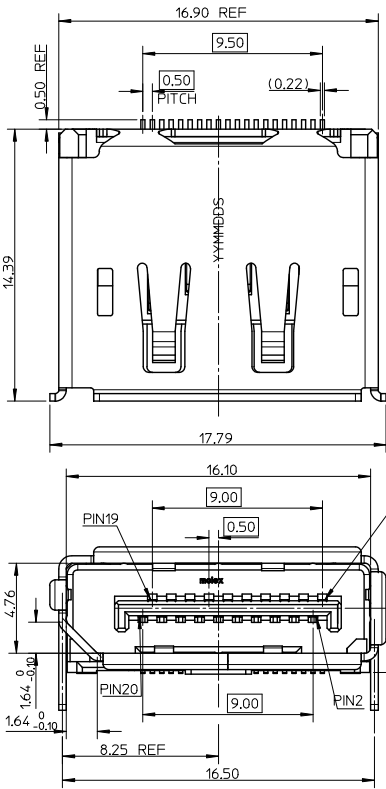
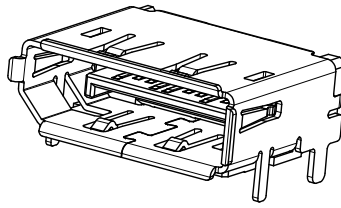
GENERAL TOLERANCES (UNLESS SPECIFIED)	
	mm INCH
4 PLACES	± --- ± ---
3 PLACES	± --- ± ---
2 PLACES	± 0.25 ± ---
1 PLACE	± 0.25 ± ---
ANGULAR ± 3°	
DRAFT WHERE APPLICABLE MUST REMAIN WITHIN DIMENSIONS	

DIMENSION STYLE	
MM ONLY	
DRAWN BY	DATE
RZHANG	2005/07/01
CHECKED BY	DATE
IWANG	2005/07/01
APPROVED BY	DATE
RZHANG	2010/03/26
MATERIAL NO.	DOCUMENT NO.
SEE SHEET 8	SD-47272-001

SCALE	DESIGN UNITS	THIRD ANGLE PROJECTION
1:1	METRIC	
TITLE		
1.0MM PITCH DISPLAY PORT RECEPTACLE ASSEMBLY		
Molex MOLEX INCORPORATED		
SHEET NO.	4 OF 8	

Contact us: sales@integrated-circuit.com Website: www.integrated-circuit.com

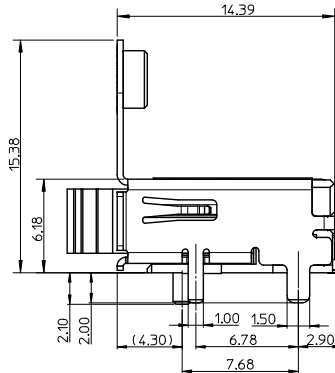
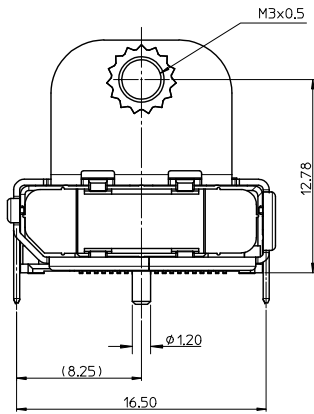
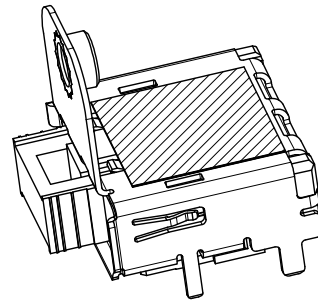
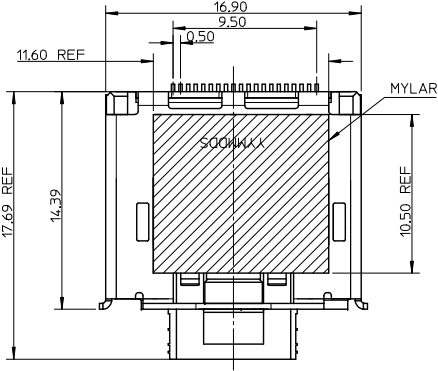
WITHOUT POST



NOTES:
UNSPECIFIED DIMENSION ARE SAME AS SHEET1

REVISED EC NO: SH2015-0381 CJD/RW/RZHANG CHKD: APPR:AYIN 2015/03/19 2015/04/29	QUALITY SYMBOLS	GENERAL TOLERANCES (UNLESS SPECIFIED)	DIMENSION STYLE	SCALE	DESIGN UNITS	THIRD ANGLE PROJECTION
	$\nabla=0$ $\nabla=0$ $\nabla=0$	mm INCH 4 PLACES ± --- ± --- 3 PLACES ± --- ± --- 2 PLACES ± 0.25 ± --- 1 PLACE ± 0.25 ± --- ANGULAR ± 3°	MM ONLY	1:1	METRIC	
	DRAWN BY: RZHANG CHECKED BY: IWANG APPROVED BY: RZHANG DATE: 2005/07/01 DATE: 2005/07/01 DATE: 2010/03/26	DRAFT WHERE APPLICABLE MUST REMAIN WITHIN DIMENSIONS	MATERIAL NO. SEE SHEET 8	TITLE 1.0MM PITCH DISPLAY PORT RECEPTACLE ASSEMBLY	MOLEX INCORPORATED	SHEET NO. 5 OF 8
	THIS DRAWING CONTAINS INFORMATION THAT IS PROPRIETARY TO MOLEX INCORPORATED AND SHOULD NOT BE USED WITHOUT WRITTEN PERMISSION	DOCUMENT NO. SD-47272-001	SIZE A3			

Contact us: sales@integrated-circuit.com Website: www.integrated-circuit.com

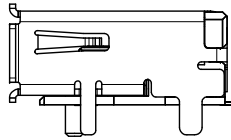
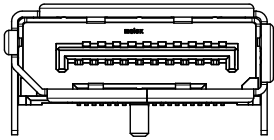
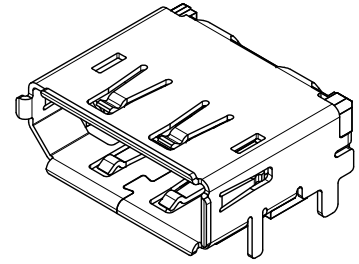
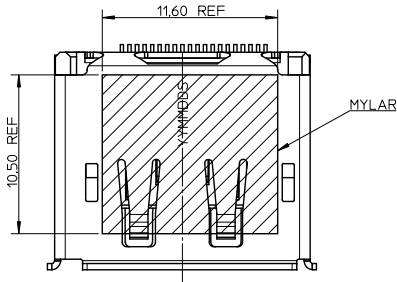


- NOTES:
1. UNSPECIFIC DIMENSION ARE SAME AS SHEET1
2. THE RECOMMENDER PCB ARE SAME AS SHEET1

REVISED EC NO. SH2015-0381 DRAWN: RZHANG CHKD: APPR: ATIN REV DESCRIPTION 2015/03/19 2015/04/29	QUALITY SYMBOLS $\nabla=0$ $\nabla=0$ $\nabla=0$	GENERAL TOLERANCES (UNLESS SPECIFIED)		DIMENSION STYLE MM ONLY	SCALE 1:1	DESIGN UNITS METRIC	THIRD ANGLE PROJECTION	
		4 PLACES ± --- ± ---	3 PLACES ± --- ± ---	DRAWN BY RZHANG	DATE 2005/07/01	TITLE 1.0MM PITCH DISPLAY PORT RECEPTACLE ASSEMBLY		
		2 PLACES ± 0.25 ± ---	1 PLACE ± 0.25 ± ---	CHECKED BY IWANG	DATE 2005/07/01	MOLEX INCORPORATED		
		ANGULAR ± 3°		APPROVED BY RZHANG	DATE 2010/03/26	MATERIAL NO. SEE SHEET 8	DOCUMENT NO. SD-47272-001	SHEET NO. 6 OF 8
DRAFT WHERE APPLICABLE MUST REMAIN WITHIN DIMENSIONS		THIS DRAWING CONTAINS INFORMATION THAT IS PROPRIETARY TO MOLEX INCORPORATED AND SHOULD NOT BE USED WITHOUT WRITTEN PERMISSION						

Contact us: sales@integrated-circuit.com Website: www.integrated-circuit.com

STANDARD TYPE WITH MYLAR



NOTES:

1. UNSPECIFIC DIMENSION ARE SAME AS SHEET1
2. THE RECOMMENDER PCB ARE SAME AS SHEET1

REVISED EC. NO: SH2015-0381 DRAWN: RZHANG 2015/03/19 CHKD: APPR: AYIN REV: 2015/04/29	QUALITY SYMBOLS	GENERAL TOLERANCES (UNLESS SPECIFIED)		DIMENSION STYLE MM ONLY		SCALE 4:1	DESIGN UNITS METRIC	THIRD ANGLE PROJECTION
	$\nabla=0$	4 PLACES	± ---	± ---	DRAWN BY RZHANG	DATE 2005/07/01	TITLE 1.0MM PITCH DISPLAY PORT RECEPTACLE ASSEMBLY	
	$\nabla=0$	3 PLACES	± ---	± ---	CHECKED BY IWANG	DATE 2005/07/01	MOLEX INCORPORATED	
	$\nabla=0$	2 PLACES	± 0.25	± ---	APPROVED BY RZHANG	DATE 2010/03/26	DOCUMENT NO. SD-47272-001	SHEET NO. 7 OF 8
		1 PLACE	± 0.25	± ---	MATERIAL NO. SEE SHEET 8		THIS DRAWING CONTAINS INFORMATION THAT IS PROPRIETARY TO MOLEX INCORPORATED AND SHOULD NOT BE USED WITHOUT WRITTEN PERMISSION	
			ANGULAR ± 3°		DRAFT WHERE APPLICABLE MUST REMAIN WITHIN DIMENSIONS			

Contact us: sales@integrated-circuit.com Website: www.integrated-circuit.com

PART NO.	COVER	FLANGE (SCREW)	PEG OF SHELL	PLATING IN CONTACT AREA	SHELL PLATING	LATCH HOLE	MYLAR	POST	PACKAGE	REMARK	SHELL MATERIAL
472720001	WITHOUT	WITHOUT	THROUGH HOLE PEG	SEE NOTE2(1)	SEE NOTE2(a)	WITH	WITHOUT	WITH	PK-47272-001	FOR SHEET 1	STAINLESS STEEL
472720011	WITHOUT	WITHOUT	THROUGH HOLE PEG	SEE NOTE2(2)	SEE NOTE2(a)	WITH	WITHOUT	WITH	PK-47272-001		
472720021	WITHOUT	WITHOUT	THROUGH HOLE PEG	SEE NOTE2(3)	SEE NOTE2(a)	WITH	WITHOUT	WITH	PK-47272-001		
472720003	WITHOUT	WITHOUT	THROUGH HOLE PEG	SEE NOTE2(1)	SEE NOTE2(a)	WITHOUT	WITHOUT	WITH	PK-47272-001	FOR SHEET 2	
472721002	WITH	WITHOUT	THROUGH HOLE PEG	SEE NOTE2(1)	SEE NOTE2(a)	WITH	WITHOUT	WITH	PK-47272-001		
472720012	WITH	WITHOUT	THROUGH HOLE PEG	SEE NOTE2(2)	SEE NOTE2(a)	WITH	WITHOUT	WITH	PK-47272-001		
472720022	WITH	WITHOUT	THROUGH HOLE PEG	SEE NOTE2(3)	SEE NOTE2(a)	WITH	WITHOUT	WITH	PK-47272-001	FOR SHEET 3	PHOSPHOR BRONZE
472720024	WITH	WITHOUT	THROUGH HOLE PEG	SEE NOTE2(1)	SEE NOTE2(a)	WITH	WITH	WITH	PK-47272-001		
472720004	WITH	WITH	THROUGH HOLE PEG	SEE NOTE2(1)	SEE NOTE2(c)	WITH	WITHOUT	WITH	PK-47272-005		
472721004	WITHOUT	WITH	THROUGH HOLE PEG	SEE NOTE2(1)	SEE NOTE2(c)	WITH	WITHOUT	WITH	PK-47272-003		
472720025	WITHOUT	WITH	THROUGH HOLE PEG	SEE NOTE2(1)	SEE NOTE2(c)	WITH	WITH	WITH	PK-47272-003		
472720028	WITHOUT	WITH	THROUGH HOLE PEG	SEE NOTE2(3)	SEE NOTE2(c)	WITH	WITH	WITH	PK-47272-003		
472721005	WITHOUT	WITH	SMT PEG	SEE NOTE2(1)	SEE NOTE2(c)	WITH	WITHOUT	WITH	PK-47272-003	FOR SHEET 4	
472720023	WITHOUT	WITH	SMT PEG	SEE NOTE2(1)	SEE NOTE2(c)	WITH	WITH	WITH	PK-47272-003	FOR SHEET 5	
472720026	WITHOUT	WITHOUT	THROUGH HOLE PEG	SEE NOTE2(1)	SEE NOTE2(a)	WITH	WITHOUT	WITHOUT	PK-47272-001	FOR SHEET 5	STAINLESS STEEL
472720027	WITH	WITH	THROUGH HOLE PEG	SEE NOTE2(1)	SEE NOTE2(c)	WITH	WITH	WITH	PK-47272-005	FOR SHEET 6	PHOSPHOR BRONZE
472720029	WITHOUT	WITHOUT	THROUGH HOLE PEG	SEE NOTE2(1)	SEE NOTE2(a)	WITH	WITH	WITH	PK-47272-001	FOR SHEET 7	STAINLESS STEEL
472720121	WITHOUT	WITHOUT	THROUGH HOLE PEG	SEE NOTE2(1)	SEE NOTE2(a)	WITH	WITHOUT	WITH	PK-47272-121	FOR SHEET 1	STAINLESS STEEL
472721014	WITHOUT	WITH	THROUGH HOLE PEG	SEE NOTE2(2)	SEE NOTE2(c)	WITH	WITHOUT	WITH	PK-47272-003	FOR SHEET 3	PHOSPHOR BRONZE
472721024	WITH	WITHOUT	THROUGH HOLE PEG	SEE NOTE2(2)	SEE NOTE2(a)	WITH	WITH	WITH	PK-47272-001	FOR SHEET 2	STAINLESS STEEL

REVISED EC NO. SH2015-0381 DRAWN: RZHANG CHKD: APPR: ATIN 2015/03/19 2015/04/29	QUALITY SYMBOLS	GENERAL TOLERANCES (UNLESS SPECIFIED)	DIMENSION STYLE	SCALE	DESIGN UNITS	THIRD ANGLE PROJECTION																		
	$\sqrt{\text{A}}=0$ $\sqrt{\text{B}}=0$ $\sqrt{\text{C}}=0$	<table border="1"> <tr> <th></th> <th>mm</th> <th>INCH</th> </tr> <tr> <td>4 PLACES</td> <td>±---</td> <td>±---</td> </tr> <tr> <td>3 PLACES</td> <td>±---</td> <td>±---</td> </tr> <tr> <td>2 PLACES</td> <td>±0.25</td> <td>±---</td> </tr> <tr> <td>1 PLACE</td> <td>±0.25</td> <td>±---</td> </tr> <tr> <td colspan="3">ANGULAR ± 3°</td> </tr> </table>		mm	INCH	4 PLACES	±---	±---	3 PLACES	±---	±---	2 PLACES	±0.25	±---	1 PLACE	±0.25	±---	ANGULAR ± 3°			MM ONLY	1:1	METRIC	
		mm	INCH																					
	4 PLACES	±---	±---																					
3 PLACES	±---	±---																						
2 PLACES	±0.25	±---																						
1 PLACE	±0.25	±---																						
ANGULAR ± 3°																								
	DRAWN BY: RZHANG DATE: 2005/07/01 CHECKED BY: IWANG DATE: 2005/07/01 APPROVED BY: RZHANG DATE: 2010/03/26	DRAFT WHERE APPLICABLE MUST REMAIN WITHIN DIMENSIONS	MATERIAL NO. SEE CHART SIZE: A3 THIS DRAWING CONTAINS INFORMATION THAT IS PROPRIETARY TO MOLEX INCORPORATED AND SHOULD NOT BE USED WITHOUT WRITTEN PERMISSION	TITLE: 1.0MM PITCH DISPLAY PORT RECEPTACLE ASSEMBLY MOLEX INCORPORATED DOCUMENT NO. SD-47272-001	SHEET NO. 8 OF 8																			