



**Distributor of Molex Connector Corporation: Excellent Integrated System Limited**  
Datasheet of 0472720028 - Connector Receptacle DisplayPort 20 Position Surface Mount,  
Right Angle, Horizontal

Contact us: [sales@integrated-circuit.com](mailto:sales@integrated-circuit.com) Website: [www.integrated-circuit.com](http://www.integrated-circuit.com)

---

## **Excellent Integrated System Limited**

Stocking Distributor

Click to view price, real time Inventory, Delivery & Lifecycle Information:

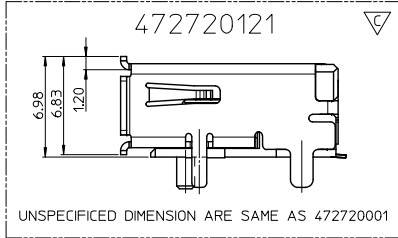
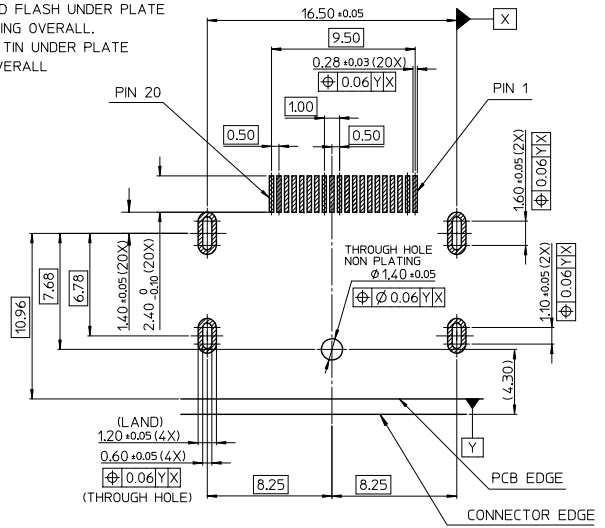
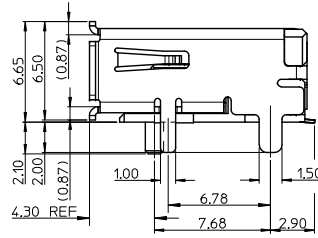
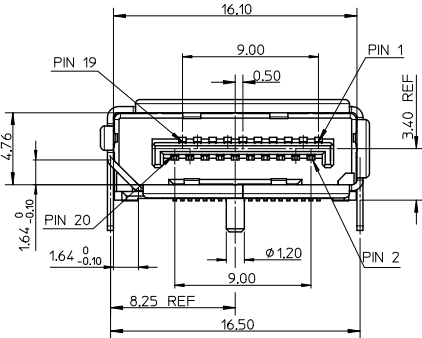
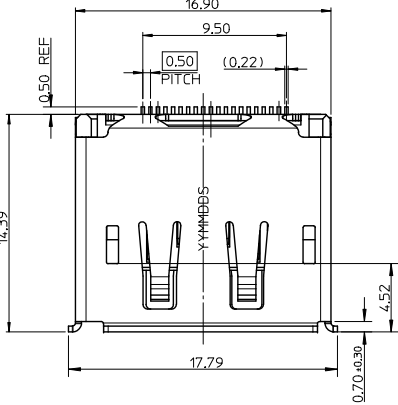
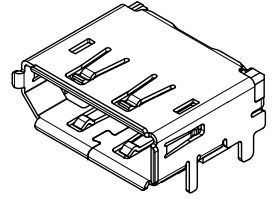
[Molex Connector Corporation](#)  
[0472720028](#)

For any questions, you can email us directly:  
[sales@integrated-circuit.com](mailto:sales@integrated-circuit.com)

Contact us: sales@integrated-circuit.com Website: www.integrated-circuit.com

NOTES:

- MATERIAL:  
HOUSING: LIQUID CRYSTAL POLYMER, BLACK, 30% GLASS FILLED, UL94V-0.  
TERMINAL: BRASS.  
SHELL: STAINLESS STEEL FOR WITHOUT FLANGE PART & PHOSPHOR BRONZE FOR WITH FLANGE PART
- PLATING:  
TERMINAL:  
CONTACT AREA: (1). 0.76 MICROMETER (30 μ) GOLD PLATING  
(2). 0.38 MICROMETER (15 μ) GOLD PLATING  
(3). GOLD FLASH PLATING  
AND SOLDER TAIL: 1-3 MICROMETER (39-118 μ) MATT TIN UNDER PLATE  
2-4 MICROMETER (79-158 μ) NICKEL PLATING OVERALL.
- SHELL:  
(a). 1.27-2.54 MICROMETER (50-100 μ) SOLDERABLE NICKEL PLATING OVERALL.  
(b). SHELL PEG SOLDERING SURFACE PLATE GOLD FLASH UNDER PLATE  
1-3 MICROMETER (39-118 μ) NICKEL PLATING OVERALL.  
(c). SHELL PLATE 2.0-4.0 MICROMETER (79-158 μ) TIN UNDER PLATE  
1.27-3.0 MICROMETER (50-118 μ) NICKEL OVERALL
- SOLDERTAIL COPLANARITY 0.10 MAX.  
PS REFER TO PS-47272-001



RECOMMENDED PCB LAYOUT (THICKNESS=1.6±0.15)

REVISED EC. NO: SH2015-0381 DRAWN: RZHANG CHKD: RZHANG APPR: ATIN REV: 3	2015/03/19	2015/04/29	QUALITY SYMBOLS	GENERAL TOLERANCES (UNLESS SPECIFIED)	DIMENSION STYLE	SCALE	DESIGN UNITS	THIRD ANGLE PROJECTION
			▽=0	4 PLACES ± --- ± ---	MM ONLY	1:1	METRIC	
			▽=0	3 PLACES ± --- ± ---				
			▽=0	2 PLACES ± 0.25 ± ---				
			▽=0	1 PLACE ± 0.25 ± ---				
				ANGULAR ± 3°				
				DRAFT WHERE APPLICABLE MUST REMAIN WITHIN DIMENSIONS				
					SEE SHEET 8			
					THIS DRAWING CONTAINS INFORMATION THAT IS PROPRIETARY TO MOLEX INCORPORATED AND SHOULD NOT BE USED WITHOUT WRITTEN PERMISSION			

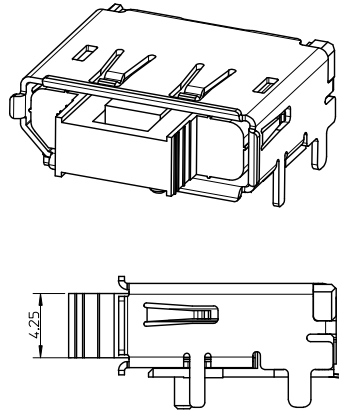
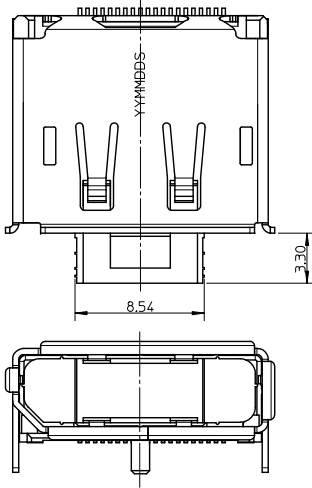
1.0MM PITCH DISPLAY PORT RECEPTACLE ASSEMBLY

MOLEX INCORPORATED

DOCUMENT NO. SD-47272-001 SHEET NO. 1 OF 8

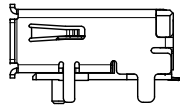
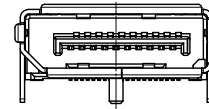
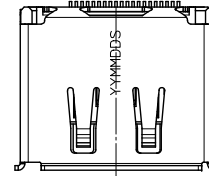
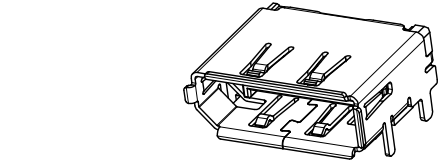
Contact us: sales@integrated-circuit.com Website: www.integrated-circuit.com

WITH COVER



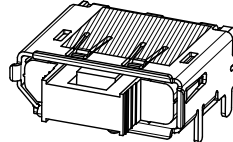
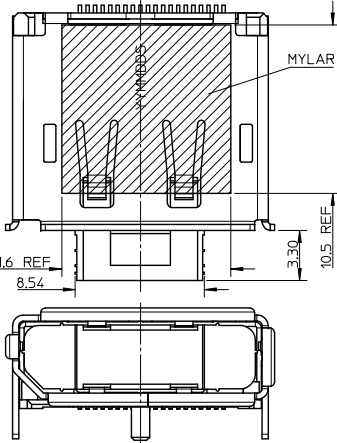
NOTES:  
1.UNSPECIFIED DIMENSION ARE SAME AS SHEET1  
2.CONNCTOR WITH COVER IS USED FOR WARE SOLDERING PEG

WITHOUT LATCH HOLE



NOTES:  
1.UNSPECIFIED DIMENSION ARE SAME AS SHEET1

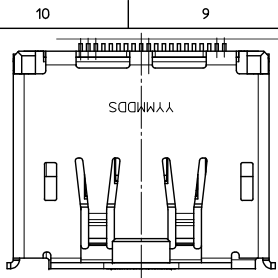
WITH COVER AND MYLAR



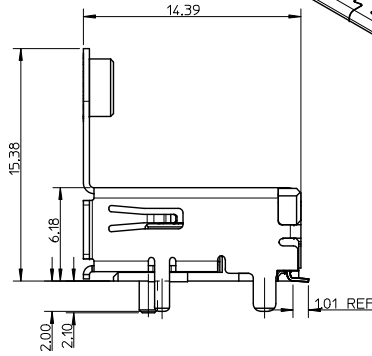
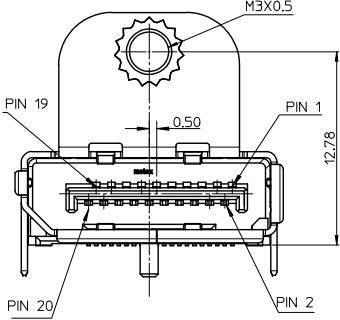
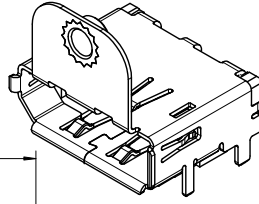
NOTES:  
1.UNSPECIFIED DIMENSION ARE SAME AS SHEET1  
2.CONNCTOR WITH COVER IS USED FOR WARE SOLDERING PEG

REVISED EC. NO.: SH2015-0381 DRAWN: RZHANG CHKD: APPR: ATIN	DESCRIPTION 2015/03/19 2015/04/29	QUALITY SYMBOLS	GENERAL TOLERANCES (UNLESS SPECIFIED)	DIMENSION STYLE	SCALE	DESIGN UNITS	THIRD ANGLE PROJECTION																
		$\nabla=0$ $\nabla=0$ $\nabla=0$	<table border="1"> <tr> <th></th> <th>mm</th> <th>INCH</th> </tr> <tr> <td>4 PLACES</td> <td>±---</td> <td>±---</td> </tr> <tr> <td>3 PLACES</td> <td>±---</td> <td>±---</td> </tr> <tr> <td>2 PLACES</td> <td>±0.25</td> <td>±---</td> </tr> <tr> <td>1 PLACE</td> <td>±0.25</td> <td>±---</td> </tr> <tr> <td colspan="3">ANGULAR ± 3°</td> </tr> </table>		mm	INCH	4 PLACES	±---	±---	3 PLACES	±---	±---	2 PLACES	±0.25	±---	1 PLACE	±0.25	±---	ANGULAR ± 3°			MM ONLY	1:1
	mm	INCH																					
4 PLACES	±---	±---																					
3 PLACES	±---	±---																					
2 PLACES	±0.25	±---																					
1 PLACE	±0.25	±---																					
ANGULAR ± 3°																							
DRAFT WHERE APPLICABLE MUST REMAIN WITHIN DIMENSIONS				DRAWN BY RZHANG	DATE 2005/07/01	TITLE 1.0MM PITCH DISPLAY PORT RECEPTACLE ASSEMBLY																	
				CHECKED BY IWANG	DATE 2005/07/01	MOLEX INCORPORATED																	
				APPROVED BY RZHANG	DATE 2010/03/26	DOCUMENT NO. SD-47272-001																	
				MATERIAL NO. SEE SHEET 8			SHEET NO. 2 OF 8																
THIS DRAWING CONTAINS INFORMATION THAT IS PROPRIETARY TO MOLEX INCORPORATED AND SHOULD NOT BE USED WITHOUT WRITTEN PERMISSION																							

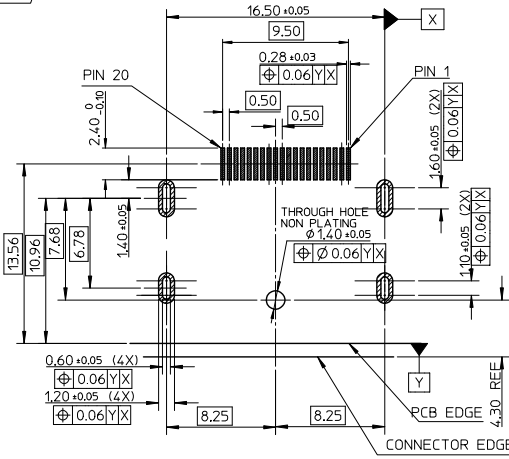
Contact us: sales@integrated-circuit.com Website: www.integrated-circuit.com



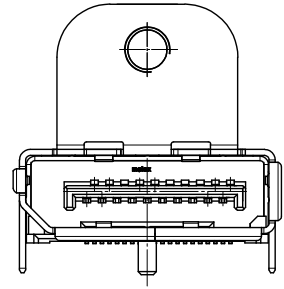
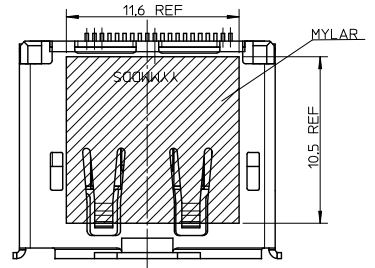
WITH FLANGE AND THROUGH HOLE PEG



NOTES:  
UNSPECIFIED DIMENSION ARE SAME AS SHEET1



WITH MYLAR

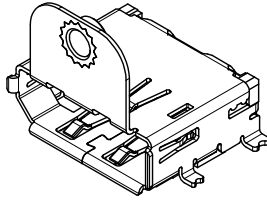
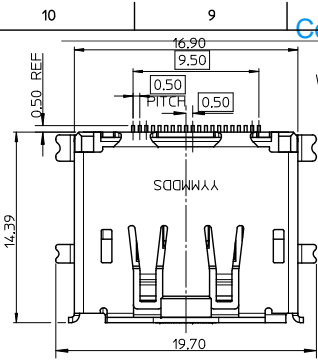


NOTES:  
UNSPECIFIED DIMENSION ARE SAME AS SHEET1

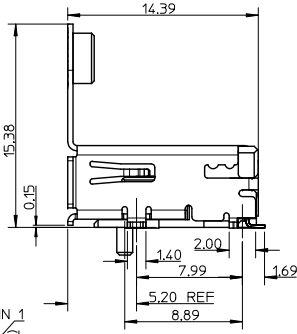
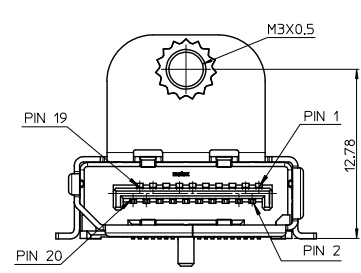
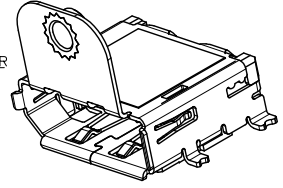
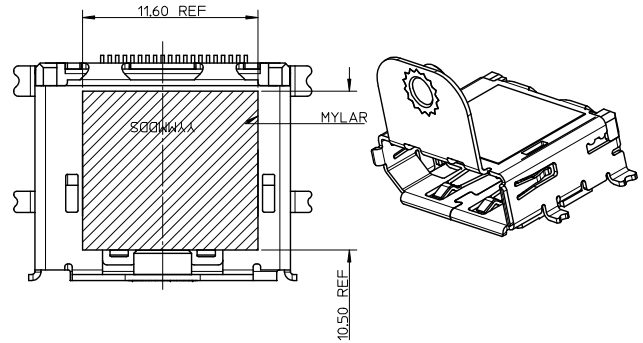
REVISED EC NO. SH2015-0381 DRAWN: RZHANG CHKD: CHEN APPR: ATIN	DESCRIPTION 2015/03/19 2015/04/29	QUALITY SYMBOLS	GENERAL TOLERANCES (UNLESS SPECIFIED)		DIMENSION STYLE MM ONLY		SCALE 1:1	DESIGN UNITS METRIC	THIRD ANGLE PROJECTION														
		$\nabla=0$ $\nabla=0$ $\nabla=0$	<table border="1"> <tr><th></th><th>mm</th><th>INCH</th></tr> <tr><td>4 PLACES</td><td>±---</td><td>±---</td></tr> <tr><td>3 PLACES</td><td>±---</td><td>±---</td></tr> <tr><td>2 PLACES</td><td>±0.25</td><td>±---</td></tr> <tr><td>1 PLACE</td><td>±0.25</td><td>±---</td></tr> <tr><td colspan="2">ANGULAR</td><td>± 3°</td></tr> </table>		mm	INCH	4 PLACES	±---	±---	3 PLACES	±---	±---	2 PLACES	±0.25	±---	1 PLACE	±0.25	±---	ANGULAR		± 3°	DRAWN BY RZHANG	DATE 2005/07/01
	mm	INCH																					
4 PLACES	±---	±---																					
3 PLACES	±---	±---																					
2 PLACES	±0.25	±---																					
1 PLACE	±0.25	±---																					
ANGULAR		± 3°																					
MATERIAL NO.		CHECKED BY IWANG		DATE 2005/07/01		MOLEX INCORPORATED		SHEET NO. 3 OF 8															
APPROVED BY RZHANG		DATE 2010/03/26		DOCUMENT NO. SD-47272-001		MATERIAL NO.		THIS DRAWING CONTAINS INFORMATION THAT IS PROPRIETARY TO MOLEX INCORPORATED AND SHOULD NOT BE USED WITHOUT WRITTEN PERMISSION															

Contact us: sales@integrated-circuit.com Website: www.integrated-circuit.com

WITH FLANGE AND SMT PEG

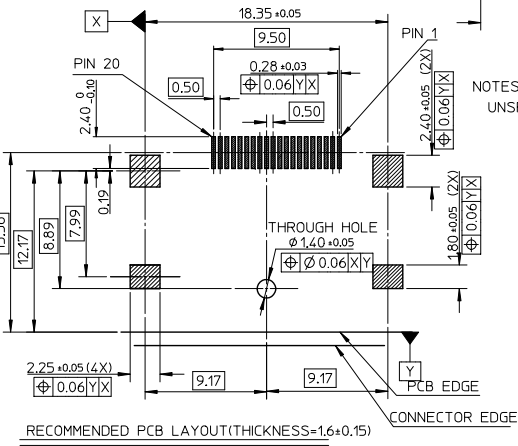


WITH FLANGE AND MYLAR



NOTES:  
UNSPECIFIED DIMENSION ARE SAME AS SHEET1

NOTES:  
1.UNSPECIFIED DIMENSION ARE SAME AS SHEET1  
2.THE RECOMMENDER PCB ARE SAME AS LEFT RECOMMENDER PCB



REVISED	EC NO. SH2015-0381	2015/03/19	QUALITY SYMBOLS
3	DRWR:RZHANG	2015/04/29	DESCRIPTION
	CHKD:		
	APPR:ATIN		

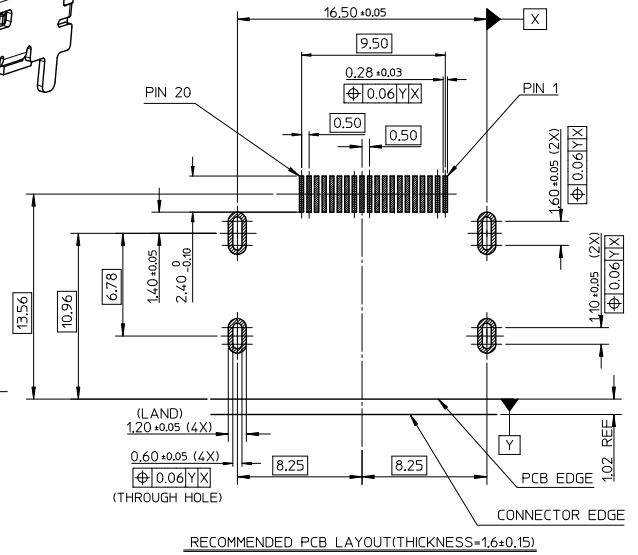
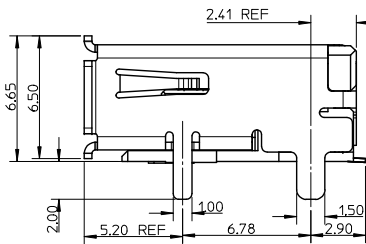
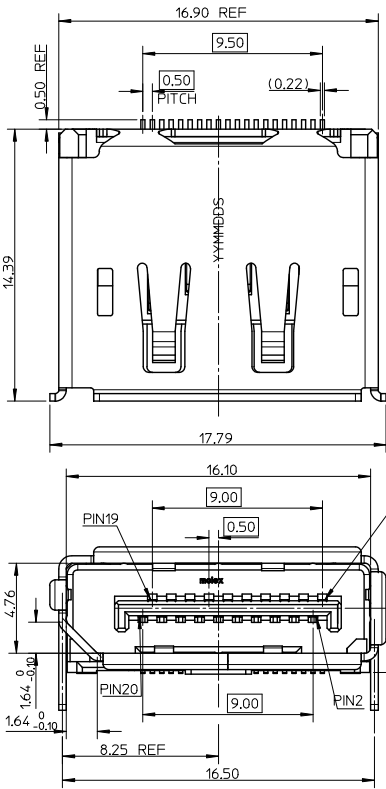
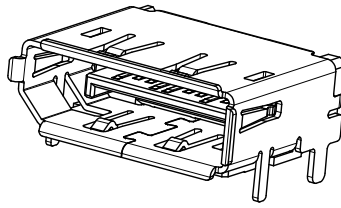
GENERAL TOLERANCES (UNLESS SPECIFIED)	
	mm INCH
4 PLACES	± --- ± ---
3 PLACES	± --- ± ---
2 PLACES	± 0.25 ± ---
1 PLACE	± 0.25 ± ---
ANGULAR ± 3°	
DRAFT WHERE APPLICABLE MUST REMAIN WITHIN DIMENSIONS	

DIMENSION STYLE	
MM ONLY	
DRAWN BY	DATE
RZHANG	2005/07/01
CHECKED BY	DATE
IWANG	2005/07/01
APPROVED BY	DATE
RZHANG	2010/03/26
MATERIAL NO.	DOCUMENT NO.
SEE SHEET 8	SD-47272-001

SCALE	DESIGN UNITS	THIRD ANGLE PROJECTION
1:1	METRIC	
TITLE		
1.0MM PITCH DISPLAY PORT RECEPTACLE ASSEMBLY		
Molex MOLEX INCORPORATED		
SHEET NO.		4 OF 8

Contact us: sales@integrated-circuit.com Website: www.integrated-circuit.com

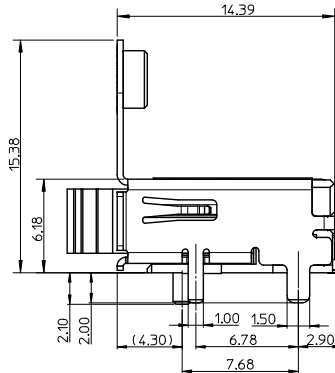
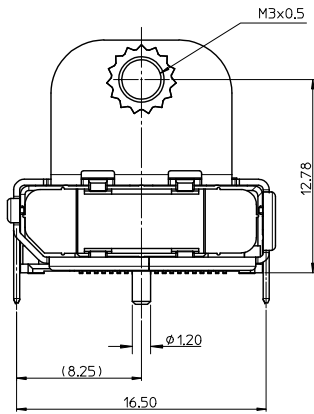
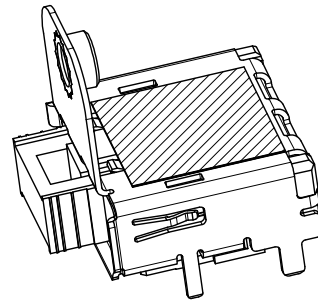
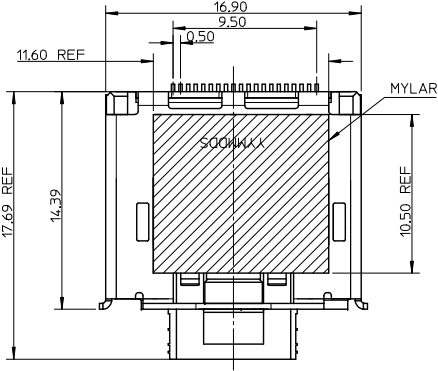
WITHOUT POST



NOTES:  
UNSPECIFIED DIMENSION ARE SAME AS SHEET1

REVISED EC NO: SH2015-0381 CJD/RW/RZHANG CHKD: APPR:AYIN 2015/03/19 2015/04/29	QUALITY SYMBOLS √=0 ∇=0 ∇=0	GENERAL TOLERANCES (UNLESS SPECIFIED)		DIMENSION STYLE MM ONLY		SCALE 1:1	DESIGN UNITS METRIC	THIRD ANGLE PROJECTION	
		4 PLACES ± --- ± ---	mm INCH	DRAWN BY RZHANG	DATE 2005/07/01	TITLE 1.0MM PITCH DISPLAY PORT RECEPTACLE ASSEMBLY			
		3 PLACES ± --- ± ---		CHECKED BY IWANG	DATE 2005/07/01	MOLEX INCORPORATED			
		2 PLACES ± 0.25 ± --- 1 PLACE ± 0.25 ± --- ANGULAR ± 3°		APPROVED BY RZHANG	DATE 2010/03/26	MATERIAL NO. SEE SHEET 8			
DRAFT WHERE APPLICABLE MUST REMAIN WITHIN DIMENSIONS				DOCUMENT NO. SD-47272-001		SHEET NO. 5 OF 8		THIS DRAWING CONTAINS INFORMATION THAT IS PROPRIETARY TO MOLEX INCORPORATED AND SHOULD NOT BE USED WITHOUT WRITTEN PERMISSION	

Contact us: sales@integrated-circuit.com Website: www.integrated-circuit.com

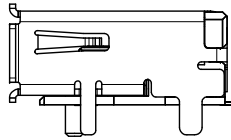
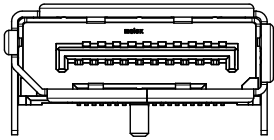
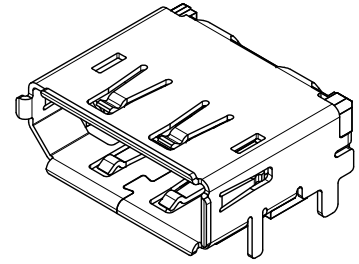
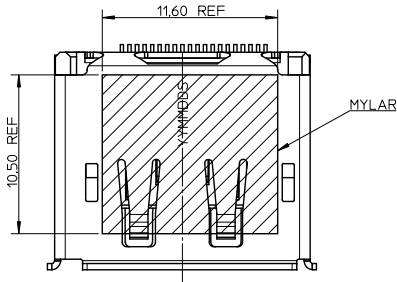


- NOTES:  
1. UNSPECIFIC DIMENSION ARE SAME AS SHEET1  
2. THE RECOMMENDER PCB ARE SAME AS SHEET1

REVISED EC NO. SH2015-0381 DRAWN: RZHANG CHKD: APPR: ATIN	DESCRIPTION 2015/03/19 2015/04/29	QUALITY SYMBOLS ▽=0 ▽=0 ▽=0	GENERAL TOLERANCES (UNLESS SPECIFIED)		DIMENSION STYLE MM ONLY		SCALE 1:1	DESIGN UNITS METRIC	THIRD ANGLE PROJECTION	
			mm	INCH	DRAWN BY RZHANG	DATE 2005/07/01	TITLE 1.0MM PITCH DISPLAY PORT RECEPTACLE ASSEMBLY			
DRAFT WHERE APPLICABLE MUST REMAIN WITHIN DIMENSIONS			4 PLACES ± --- ± ---	3 PLACES ± --- ± ---	2 PLACES ± 0.25 ± ---	1 PLACE ± 0.25 ± ---	ANGULAR ± 3°	APPROVED BY RZHANG		DATE 2010/03/26
			MATERIAL NO. SEE SHEET 8		DOCUMENT NO. SD-47272-001		MOLEX INCORPORATED		SHEET NO. 6 OF 8	
			THIS DRAWING CONTAINS INFORMATION THAT IS PROPRIETARY TO MOLEX INCORPORATED AND SHOULD NOT BE USED WITHOUT WRITTEN PERMISSION							

Contact us: sales@integrated-circuit.com Website: www.integrated-circuit.com

STANDARD TYPE WITH MYLAR



NOTES:

1. UNSPECIFIC DIMENSION ARE SAME AS SHEET1
2. THE RECOMMENDER PCB ARE SAME AS SHEET1

REVISED EC. NO: SH2015-0381 DRAWN: RZHANG 2015/03/19 CHKD: APPR: AYIN REV: 2015/04/29	QUALITY SYMBOLS	GENERAL TOLERANCES (UNLESS SPECIFIED)		DIMENSION STYLE MM ONLY		SCALE 4:1	DESIGN UNITS METRIC	THIRD ANGLE PROJECTION
	▽=0	4 PLACES	± ---	± ---	DRAWN BY RZHANG	DATE 2005/07/01	TITLE 1.0MM PITCH DISPLAY PORT RECEPTACLE ASSEMBLY	
	▽=0	3 PLACES	± ---	± ---	CHECKED BY IWANG	DATE 2005/07/01	MOLEX INCORPORATED	
	▽=0	2 PLACES	± 0.25	± ---	APPROVED BY RZHANG	DATE 2010/03/26	DOCUMENT NO. SD-47272-001	SHEET NO. 7 OF 8
		1 PLACE	± 0.25	± ---	MATERIAL NO. SEE SHEET 8		THIS DRAWING CONTAINS INFORMATION THAT IS PROPRIETARY TO MOLEX INCORPORATED AND SHOULD NOT BE USED WITHOUT WRITTEN PERMISSION	
			ANGULAR ± 3°		DRAFT WHERE APPLICABLE MUST REMAIN WITHIN DIMENSIONS			



Contact us: sales@integrated-circuit.com Website: www.integrated-circuit.com

PART NO.	COVER	FLANGE (SCREW)	PEG OF SHELL	PLATING IN CONTACT AREA	SHELL PLATING	LATCH HOLE	MYLAR	POST	PACKAGE	REMARK	SHELL MATERIAL
472720001	WITHOUT	WITHOUT	THROUGH HOLE PEG	SEE NOTE2(1)	SEE NOTE2(a)	WITH	WITHOUT	WITH	PK-47272-001	FOR SHEET 1	STAINLESS STEEL
472720011	WITHOUT	WITHOUT	THROUGH HOLE PEG	SEE NOTE2(2)	SEE NOTE2(a)	WITH	WITHOUT	WITH	PK-47272-001		
472720021	WITHOUT	WITHOUT	THROUGH HOLE PEG	SEE NOTE2(3)	SEE NOTE2(a)	WITH	WITHOUT	WITH	PK-47272-001		
472720003	WITHOUT	WITHOUT	THROUGH HOLE PEG	SEE NOTE2(1)	SEE NOTE2(a)	WITHOUT	WITHOUT	WITH	PK-47272-001	FOR SHEET 2	
472721002	WITH	WITHOUT	THROUGH HOLE PEG	SEE NOTE2(1)	SEE NOTE2(a)	WITH	WITHOUT	WITH	PK-47272-001		
472720012	WITH	WITHOUT	THROUGH HOLE PEG	SEE NOTE2(2)	SEE NOTE2(a)	WITH	WITHOUT	WITH	PK-47272-001		
472720022	WITH	WITHOUT	THROUGH HOLE PEG	SEE NOTE2(3)	SEE NOTE2(a)	WITH	WITHOUT	WITH	PK-47272-001	FOR SHEET 3	PHOSPHOR BRONZE
472720024	WITH	WITHOUT	THROUGH HOLE PEG	SEE NOTE2(1)	SEE NOTE2(a)	WITH	WITH	WITH	PK-47272-001		
472720004	WITH	WITH	THROUGH HOLE PEG	SEE NOTE2(1)	SEE NOTE2(c)	WITH	WITHOUT	WITH	PK-47272-005		
472721004	WITHOUT	WITH	THROUGH HOLE PEG	SEE NOTE2(1)	SEE NOTE2(c)	WITH	WITHOUT	WITH	PK-47272-003		
472720025	WITHOUT	WITH	THROUGH HOLE PEG	SEE NOTE2(1)	SEE NOTE2(c)	WITH	WITH	WITH	PK-47272-003		
472720028	WITHOUT	WITH	THROUGH HOLE PEG	SEE NOTE2(3)	SEE NOTE2(c)	WITH	WITH	WITH	PK-47272-003		
472721005	WITHOUT	WITH	SMT PEG	SEE NOTE2(1)	SEE NOTE2(c)	WITH	WITHOUT	WITH	PK-47272-003	FOR SHEET 4	
472720023	WITHOUT	WITH	SMT PEG	SEE NOTE2(1)	SEE NOTE2(c)	WITH	WITH	WITH	PK-47272-003	FOR SHEET 5	
472720026	WITHOUT	WITHOUT	THROUGH HOLE PEG	SEE NOTE2(1)	SEE NOTE2(a)	WITH	WITHOUT	WITHOUT	PK-47272-001	FOR SHEET 6	STAINLESS STEEL
472720027	WITH	WITH	THROUGH HOLE PEG	SEE NOTE2(1)	SEE NOTE2(c)	WITH	WITH	WITH	PK-47272-005	FOR SHEET 7	PHOSPHOR BRONZE
472720029	WITHOUT	WITHOUT	THROUGH HOLE PEG	SEE NOTE2(1)	SEE NOTE2(a)	WITH	WITH	WITH	PK-47272-001	FOR SHEET 1	STAINLESS STEEL
472720121	WITHOUT	WITHOUT	THROUGH HOLE PEG	SEE NOTE2(1)	SEE NOTE2(a)	WITH	WITHOUT	WITH	PK-47272-121	FOR SHEET 2	STAINLESS STEEL
472721014	WITHOUT	WITH	THROUGH HOLE PEG	SEE NOTE2(2)	SEE NOTE2(c)	WITH	WITHOUT	WITH	PK-47272-003	FOR SHEET 3	PHOSPHOR BRONZE
472721024	WITH	WITHOUT	THROUGH HOLE PEG	SEE NOTE2(2)	SEE NOTE2(a)	WITH	WITH	WITH	PK-47272-001	FOR SHEET 4	STAINLESS STEEL

REVISED EC NO. SH2015-0381 DRAWN: RZHANG CHKD: APPR: ATIN 2015/03/19 2015/04/29	QUALITY SYMBOLS $\sqrt{R}=0$ $\sqrt{E}=0$ $\sqrt{A}=0$	GENERAL TOLERANCES (UNLESS SPECIFIED)		DIMENSION STYLE MM ONLY		SCALE 1:1	DESIGN UNITS METRIC	THIRD ANGLE PROJECTION	
			mm	INCH	DRAWN BY RZHANG	DATE 2005/07/01	TITLE 1.0MM PITCH DISPLAY PORT RECEPTACLE ASSEMBLY		
			4 PLACES ±---	±---	CHECKED BY IWANG	DATE 2005/07/01	MOLEX INCORPORATED		
			3 PLACES ±---	±---	APPROVED BY RZHANG	DATE 2010/03/26	DOCUMENT NO. SD-47272-001		
		2 PLACES ±0.25	±---	MATERIAL NO. SEE CHART		SHEET NO. 8 OF 8			
		1 PLACE ±0.25	±---	DRAFT WHERE APPLICABLE MUST REMAIN WITHIN DIMENSIONS		INCORPORATED AND SHOULD NOT BE USED WITHOUT WRITTEN PERMISSION			
		ANGULAR ± 3°							