

Excellent Integrated System Limited

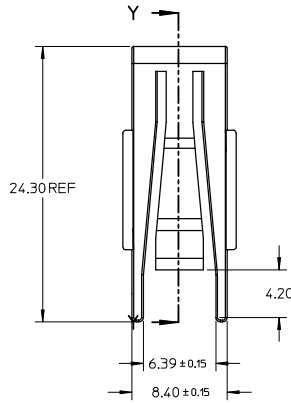
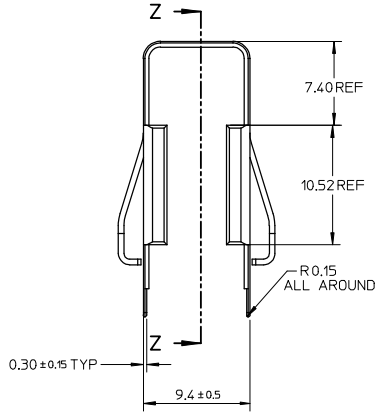
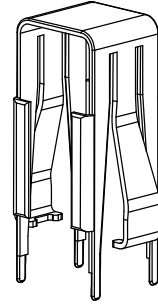
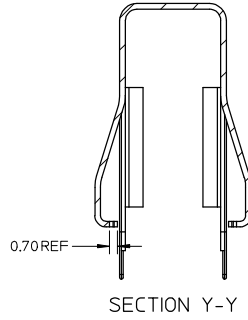
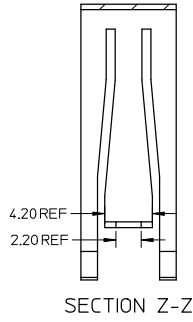
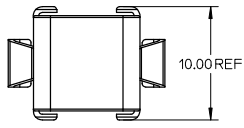
Stocking Distributor

Click to view price, real time Inventory, Delivery & Lifecycle Information:

[Molex Connector Corporation](#)
[0473370007](#)

For any questions, you can email us directly:
sales@integrated-circuit.com

10 9 8 7 6 5 4 3 2 1



NOTE:

- 1.MATERIAL: 0.5MM STAINLESS STEEL SUS301.
- 2.FINISH: NON-PLATING.
- 3.COMPLIANT TO RoHS DIRECTIVE 200/95/EC AND ELV 2000/53/EC

| | | | | | | | |
|--|--|-----------------------|--|--|---|--|--|
| NEW RELEASE EC NO: SH2008-0421 DR: WANGSHI CHKD: YLZHU APPR: HWANG | 2008/02/27 2008/02/26 2008/03/20 | DESCRIPTION REV: A | QUALITY SYMBOLS ▽=0 ▽=0 | GENERAL TOLERANCES (UNLESS SPECIFIED) mm INCH 4 PLACES ± --- ± --- 3 PLACES ± --- ± --- 2 PLACES ± 0.25 ± --- 1 PLACE ± 0.25 ± --- ANGULAR ± 3 ° | DIMENSION STYLE MM ONLY DRAWN BY: IHE DATE: 2006/08/28 CHECKED BY: YLZHU DATE: 2007/10/31 APPROVED BY: HWANG DATE: 2007/10/31 | SCALE: 8:1 DESIGN UNITS: METRIC THIRD ANGLE PROJECTION | TITLE: EXTRACTOR FOR 8.5X8.5 CAMERA SOCKET |
| | | | MATERIAL NO.: 473370007 | MOLEX INCORPORATED | SHEET NO.: 1 OF 1 | | |
| | | | DOCUMENT NO.: SD-47337-007 | THIS DRAWING CONTAINS INFORMATION THAT IS PROPRIETARY TO MOLEX INCORPORATED AND SHOULD NOT BE USED WITHOUT WRITTEN PERMISSION | | | |
| | | | DRAFT WHERE APPLICABLE MUST REMAIN WITHIN DIMENSIONS | | | | |

9 8 7 6 5 4 3 2 1