

## Excellent Integrated System Limited

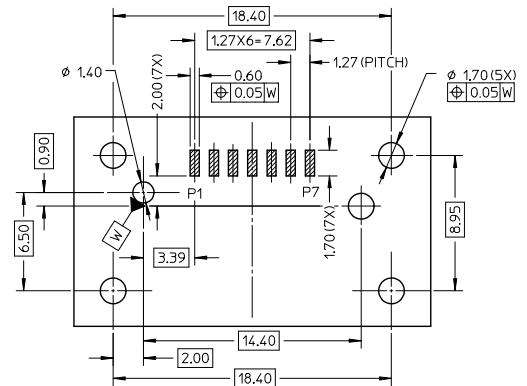
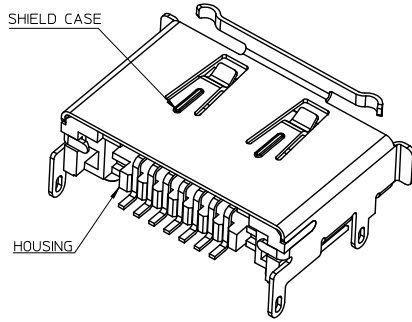
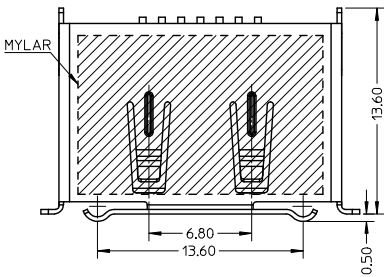
Stocking Distributor

Click to view price, real time Inventory, Delivery & Lifecycle Information:

[Molex Connector Corporation](#)  
[0473912000](#)

For any questions, you can email us directly:  
[sales@integrated-circuit.com](mailto:sales@integrated-circuit.com)

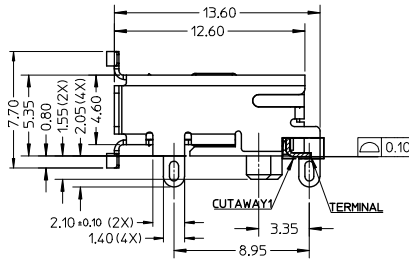
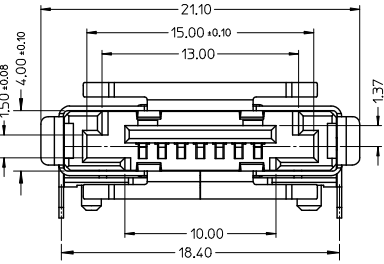
10 9 8 7 6 5 4 3 2 1



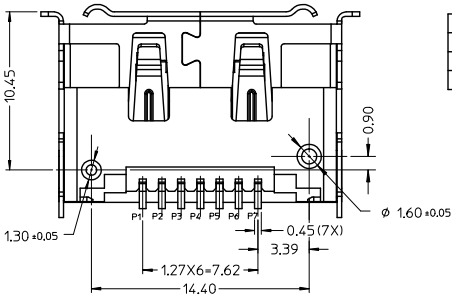
RECOMMEND PCB LAYOUT(CONNECTOR SIDE)  
THICKNESS=1.30(ALL TOLERANCE: ±7-0.05)

NOTES:

- MATERIAL:  
HOUSING: PA6T.COLOR: BLACK, UL94V-0.  
SHIELD CASE: COPPER ALLOY.  
TERMIANL: COPPER ALLOY.
- PLATING:  
SHIELD CASE: 100-200μ SOLDERABLE NICKEL OVER ALL.  
TERMINAL: CONTACT AREA GOLD PLATING(SEE CHART) AND SOLDER TAIL 50-100μ TIN ALLOY PLATING OVER 50μ MIN. NICKEL.
- PRODUCT SPEC REFER TO PS-47082-001.
- PACKAGE SPEC REFER TO PK-47379-001.
- PRODUCT MEET STANDARD 1.0 REVISION OF THE SERIAL ATA II: CABLE AND CONNECTOR VOL 2 SPECIFICATION.
- PRODUCT COMPLIANT TO RoHS 2002/95/EC AND ELV 2000/53/EC.



PART NO.	DESCRIPTION
47391-2000	TERMINAL CONTACT AREA PLATED 30μ GOLD
47391-1000	TERMINAL CONTACT AREA PLATED 15μ GOLD
47391-0000	TERMINAL CONTACT AREA PLATED GOLD FLASH



REVISED	EC NO:	DRAWING	CHKD:	APPR:	DESCRIPTION	QUALITY SYMBOLS	GENERAL TOLERANCES (UNLESS SPECIFIED)		DIMENSION STYLE		SCALE	DESIGN UNITS	THIRD ANGLE PROJECTION
							mm	INCH	MM ONLY	DATE			
	2007/06/30	D	DRWINGLLI	2007/05/04		▽=0	4 PLACES ±---	±---	DRAWN BY	DATE	4:1	METRIC	THIRD ANGLE PROJECTION
	2007/05/04			2007/05/09		▽=0	3 PLACES ±---	±---	CHECKED BY	DATE			
							2 PLACES ±0.2	±---	JENNY ZENG	2006/11/16			
							1 PLACE ±0.25	±---	APPROVED BY	DATE			
							ANGULAR ± 3°	±---	GRATE MA	2006/11/16			
							DRAFT WHERE APPLICABLE MUST REMAIN WITHIN DIMENSIONS		MATERIAL NO.	DOCUMENT NO.			
									SEE CHART	SD-47391-100			SHEET NO. 1 OF 1
									THIS DRAWING CONTAINS INFORMATION THAT IS PROPRIETARY TO MOLEX INCORPORATED AND SHOULD NOT BE USED WITHOUT WRITTEN PERMISSION				

9 8 7 6 5 4 3 2 1