

Excellent Integrated System Limited

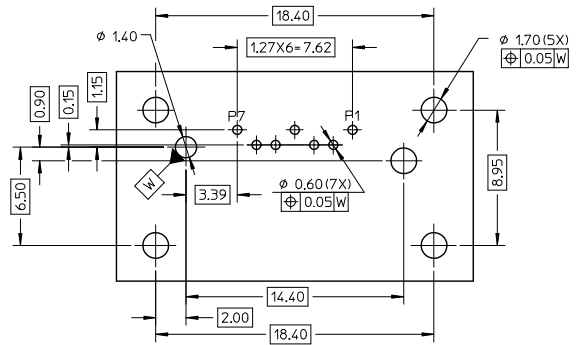
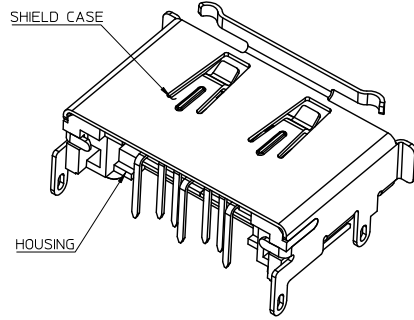
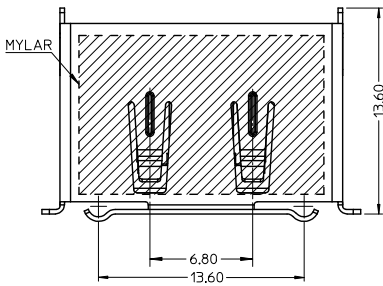
Stocking Distributor

Click to view price, real time Inventory, Delivery & Lifecycle Information:

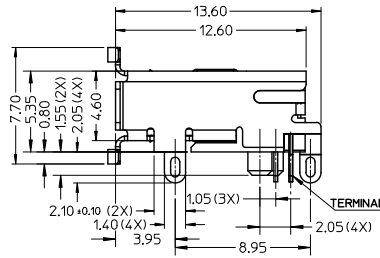
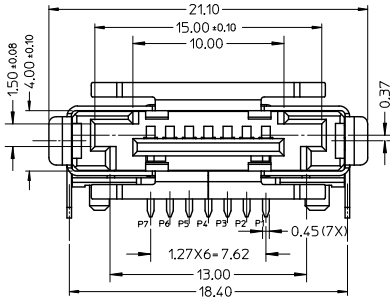
[Molex Connector Corporation](#)
[0473921104](#)

For any questions, you can email us directly:
sales@integrated-circuit.com

10 9 8 7 6 5 4 3 2 1

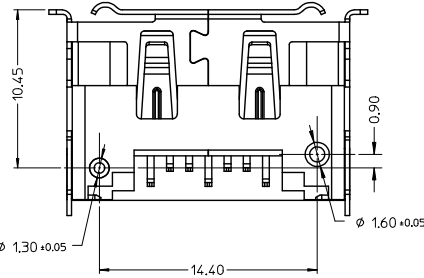


RECOMMEND PCB LAYOUT(CONNECTOR SIDE)
THICKNESS=1.30(ALL TOLERANCE: +7-0.05)



NOTES:

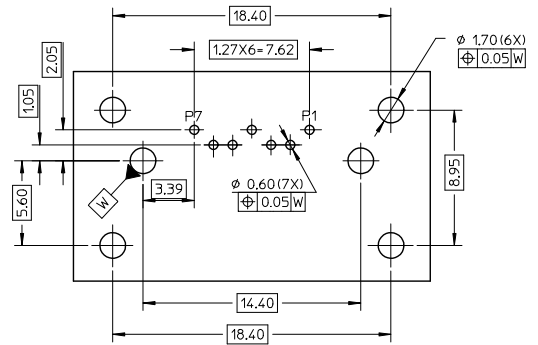
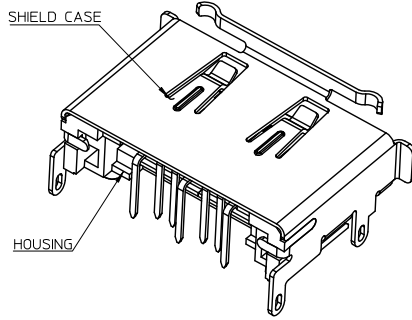
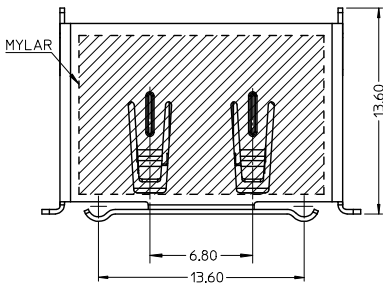
1. MATERIAL:
HOUSING: THERMAL PLASTIC,COLOR: BLACK, UL94V-0.
SHIELD CASE: COPPER ALLOY.
TERMIANL: COPPER ALLOY.
2. PLATING:
SHIELD CASE: 100-200μ SOLDERABLE NICKEL OVER ALL.
TERMINAL: CONTACT AREA GOLD PLATING(SEE CHART) AND
SOLDER TAIL 50-100μ TIN ALLOY PLATING
OVER 50μ MIN. NICKEL.
3. PRODUCT SPEC REFER TO PS-47082-001.
4. PACKAGE SPEC REFER TO PK-47379-001.
5. PRODUCT MEET STANDARD 1.0 REVISION OF THE SERIAL ATA II:
CABLE AND CONNECTOR VOL 2 SPECIFICATION.
6. PRODUCT COMPLIANT TO RoHS DIRECTIVE 2002/95/EC AND ELV 2000/53/EC.



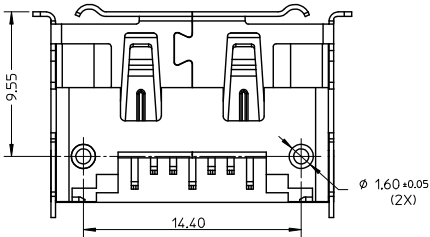
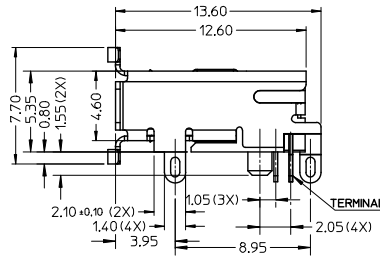
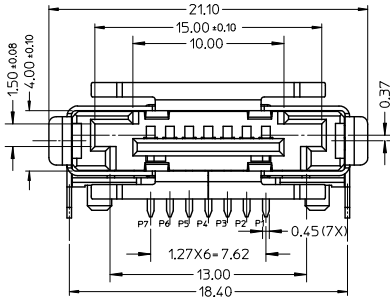
REVISED	EC NO:	2007/06/30	QUALITY SYMBOLS	GENERAL TOLERANCES (UNLESS SPECIFIED)	DIMENSION STYLE		SCALE	DESIGN UNITS	THIRD ANGLE PROJECTION					
	DRWINGLLI	2007/05/04			MM ONLY					1:1	METRIC			
	CHKD:	2007/05/04			mm	INCH						DRAWN BY	DATE	TITLE
	APPR: JINCHEN	2007/05/09			±	±								
REV	DESCRIPTION	4 PLACES	±	±	CHECKED BY	DATE	MOLEX INCORPORATED							
		3 PLACES	±	±	JENNY ZENG	2006/11/17								
		2 PLACES	±	±	APPROVED BY	DATE								
		1 PLACE	±	±	GRATE MA	2006/11/17								
		ANGULAR ± 3°		MATERIAL NO.		DOCUMENT NO.		SHEET NO.						
		DRAFT WHERE APPLICABLE MUST REMAIN WITHIN DIMENSIONS		SEE TABLE IN SHEET 3		SD-47392-100		1 OF 3						
				SIZE		THIS DRAWING CONTAINS INFORMATION THAT IS PROPRIETARY TO MOLEX INCORPORATED AND SHOULD NOT BE USED WITHOUT WRITTEN PERMISSION								

9 8 7 6 5 4 3 2 1

10 9 8 7 6 5 4 3 2 1



RECOMMEND PCB LAYOUT (CONNECTOR SIDE)
THICKNESS=1.30(ALL TOLERANCE: +7-0.05)



REVISED EC NO: 2007/06/30 D DRWINGLLI CHKD: 2007/05/04 APPR: JINCHEN 2007/05/09	QUALITY SYMBOLS ▽=0 ▽=0	GENERAL TOLERANCES (UNLESS SPECIFIED)		DIMENSION STYLE MM ONLY		SCALE 1:1	DESIGN UNITS METRIC	THIRD ANGLE PROJECTION			
		4 PLACES ± --- ± ---	3 PLACES ± --- ± ---	2 PLACES ± 0.2 ± ---	1 PLACE ± 0.25 ± ---	ANGULAR ± 3°	DRAWN BY DIXON LI DATE 2006/11/17	CHECKED BY JENNY ZENG DATE 2006/11/17	TITLE EXTERNAL SATA PLUG WITH SHELL DIP MOUNT TYPE		
		DRAFT WHERE APPLICABLE MUST REMAIN WITHIN DIMENSIONS					APPROVED BY GRATE MA DATE 2006/11/17	MATERIAL NO. SEE TABLE IN SHEET 3	MOLEX INCORPORATED	DOCUMENT NO. SD-47392-100	
							SIZE A3	THIS DRAWING CONTAINS INFORMATION THAT IS PROPRIETARY TO MOLEX INCORPORATED AND SHOULD NOT BE USED WITHOUT WRITTEN PERMISSION			

9 8 7 6 5 4 3 2 1



Distributor of Molex Connector Corporation: Excellent Integrated System Limited

Datasheet of 0473921104 - ASSY FOR E-SATA PLUG DIP MOUNT

Contact us: sales@integrated-circuit.com Website: www.integrated-circuit.com

10		9		8		7		6		5		4		3		2		1													
F	473920205	ORANGE	0.76 MICRONS MIN	PA46(ONLY USE FOR WAVE SOLDER)	TWO POSTS ARE STAGGER AND DIAMETERS ARE DIFFERENT (DETAILS REFER TO SHEET 1)	473921205	ORANGE	0.76 MICRONS MIN	PA46(ONLY USE FOR WAVE SOLDER)	TWO POSTS ARE IN LINE AND DIAMETERS ARE SAME (DETAILS REFER TO SHEET 2)	473921205	ORANGE	473921205	ORANGE	473921205	ORANGE	473921205	ORANGE	473921205	ORANGE											
	473920204	RED					473921204					RED		473921204		RED															
	473920203	BLUE					473921203					BLUE		473921203		BLUE															
	473920202	NATURE					473921202					NATURE		473921202		NATURE															
	473920201	BLACK					473921201					BLACK		473921201		BLACK															
	473920105	ORANGE	0.38 MICRONS MIN				473921105	ORANGE				0.38 MICRONS MIN		473921105		ORANGE		0.38 MICRONS MIN		473921105	ORANGE	0.38 MICRONS MIN	473921105	ORANGE	0.38 MICRONS MIN	473921105	ORANGE	0.38 MICRONS MIN	473921105	ORANGE	
	473920104	RED					473921104	RED						473921104		RED															
	473920103	BLUE					473921103	BLUE						473921103		BLUE															
	473920102	NATURE					473921102	NATURE						473921102		NATURE															
	473920101	BLACK					473921101	BLACK						473921101		BLACK															
E	473920005	ORANGE	GOLD FLASH	PA6T(USE FOR IR AND WAVE SOLDER)	TWO POSTS ARE STAGGER AND DIAMETERS ARE DIFFERENT (DETAILS REFER TO SHEET 1)	473921005	ORANGE	GOLD FLASH	PA6T(USE FOR IR AND WAVE SOLDER)	TWO POSTS ARE IN LINE AND DIAMETERS ARE SAME (DETAILS REFER TO SHEET 2)	473921005	ORANGE	473921005	ORANGE	473921005	ORANGE	473921005	ORANGE	473921005	ORANGE											
	473920004	RED					473921004					RED		473921004		RED															
	473920003	BLUE					473921003					BLUE		473921003		BLUE															
	473920002	NATURE					473921002					NATURE		473921002		NATURE															
	473920001	BLACK					473921001					BLACK		473921001		BLACK															
	D	473920305	ORANGE				0.76 MICRONS MIN	PA6T(USE FOR IR AND WAVE SOLDER)				TWO POSTS ARE STAGGER AND DIAMETERS ARE DIFFERENT (DETAILS REFER TO SHEET 1)		473921305		ORANGE		0.76 MICRONS MIN		PA6T(USE FOR IR AND WAVE SOLDER)	TWO POSTS ARE IN LINE AND DIAMETERS ARE SAME (DETAILS REFER TO SHEET 2)	473921305	ORANGE	473921305	ORANGE	473921305	ORANGE	473921305	ORANGE	473921305	ORANGE
		473920304	RED													473921304							RED		473921304		RED				
		473920303	BLUE													473921303							BLUE		473921303		BLUE				
		473920302	NATURE													473921302							NATURE		473921302		NATURE				
		473920301	BLACK													473921301							BLACK		473921301		BLACK				
C		473920405	ORANGE	0.38 MICRONS MIN	PA6T(USE FOR IR AND WAVE SOLDER)	TWO POSTS ARE STAGGER AND DIAMETERS ARE DIFFERENT (DETAILS REFER TO SHEET 1)	473921405		ORANGE	0.38 MICRONS MIN	PA6T(USE FOR IR AND WAVE SOLDER)		TWO POSTS ARE IN LINE AND DIAMETERS ARE SAME (DETAILS REFER TO SHEET 2)		473921405	ORANGE	473921405	ORANGE	473921405				ORANGE		473921405		ORANGE		473921405		ORANGE
		473920404	RED						473921404							RED		473921404					RED								
		473920403	BLUE						473921403							BLUE		473921403					BLUE								
		473920402	NATURE						473921402							NATURE		473921402					NATURE								
		473920401	BLACK						473921401							BLACK		473921401					BLACK								
	B	473920505	ORANGE	GOLD FLASH				PA6T(USE FOR IR AND WAVE SOLDER)	TWO POSTS ARE STAGGER AND DIAMETERS ARE DIFFERENT (DETAILS REFER TO SHEET 1)	473921505		ORANGE		GOLD FLASH		PA6T(USE FOR IR AND WAVE SOLDER)		TWO POSTS ARE IN LINE AND DIAMETERS ARE SAME (DETAILS REFER TO SHEET 2)		473921505	ORANGE	473921505	ORANGE	473921505		ORANGE	473921505	ORANGE		473921505	ORANGE
		473920504	RED									473921504									RED		473921504			RED					
		473920503	BLUE									473921503									BLUE		473921503			BLUE					
		473920502	NATURE									473921502									NATURE		473921502			NATURE					
		473920501	BLACK									473921501									BLACK		473921501			BLACK					
MATERIAL MUBER		HOUSING COLOR	TERMINAL CONTACT PLATING	HOUSING MATERIAL	REMARK	MATERIAL NUMBER	HOUSING COLOR				TERMINAL CONTACT PLATING	HOUSING MATERIAL	REMARK																		

A	REVISED EC NO: SH2007-0788 DRAWN BY: DRWANGELLI CHKD: JIJIAN APPR: JINCHEN	2007/04/30 2007/05/04 2007/05/09	DESCRIPTION	QUALITY SYMBOLS ▽=0 ▽=0	GENERAL TOLERANCES (UNLESS SPECIFIED)		DIMENSION STYLE MM ONLY		SCALE	DESIGN UNITS METRIC	THIRD ANGLE PROJECTION
							DRAWN BY DATE		TITLE		
					4 PLACES ± --- ± ---		DIXON LI 2006/11/17		EXTERNAL SATA PLUG WITH SHELL DIP MOUNT TYPE		
					3 PLACES ± --- ± ---		CHECKED BY DATE		MOLEX INCORPORATED		
2 PLACES ± 0.2 ± ---		JENNY ZENG 2006/11/17		MATERIAL NO. DOCUMENT NO.							
1 PLACE ± 0.25 ± ---		APPROVED BY DATE		SD-47392-100							
ANGULAR ± 3 °		GRATE MA 2006/11/17		SHEET NO. 3 OF 3							
DRAFT WHERE APPLICABLE MUST REMAIN WITHIN DIMENSIONS					SEE TABLE		THIS DRAWING CONTAINS INFORMATION THAT IS PROPRIETARY TO MOLEX INCORPORATED AND SHOULD NOT BE USED WITHOUT WRITTEN PERMISSION				