

## Excellent Integrated System Limited

Stocking Distributor

Click to view price, real time Inventory, Delivery & Lifecycle Information:

[Molex Connector Corporation](#)  
[0482271001](#)

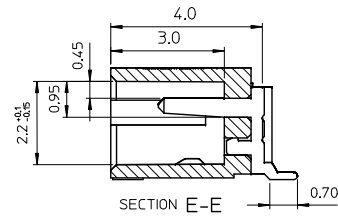
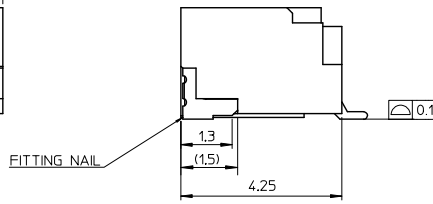
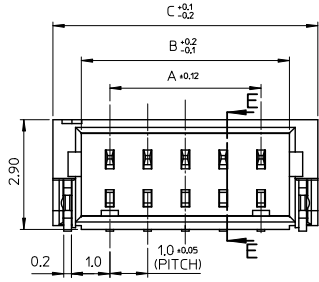
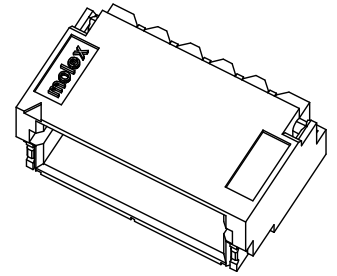
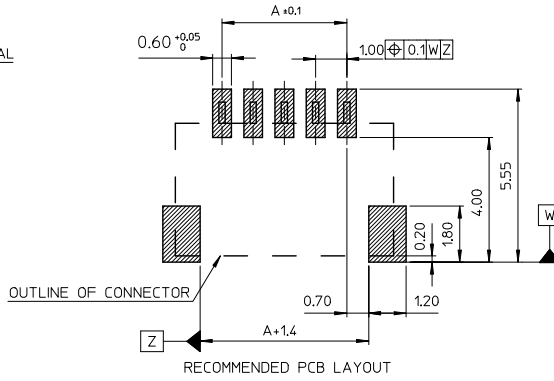
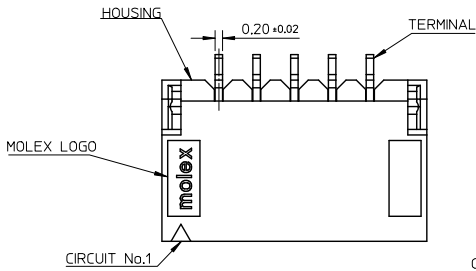
For any questions, you can email us directly:

[sales@integrated-circuit.com](mailto:sales@integrated-circuit.com)

10 9 8 7 6 5 4 3 2 1

F  
E  
D  
C  
B  
A

F  
E  
D  
C  
B  
A



NOTES:  
1.COPLANARITY IS 0.1 mm MAX.  
2.MATERIAL : HOUSING: FOR 48227-XXX1 & 48227-XXX2  
NYLON46,40% GLASS FILLED,UL 94V-0,  
COLOR: SEE TABLE  
FOR 48227-XXX3  
LCP,HALOGEN FREE,  
40% GLASS FILLED,UL 94V-0,  
COLOR: SEE TABLE  
TERMINAL: PHOSPER BRONZE,  
FITTING NAIL: PHOSPER BRONZE  
3.FINISHES :  
TERMINAL : SEE TABLE  
FITTING NAIL: SEE TABLE  
4.PRODUCT SPECIFICATION REFER TO PS-48226-001  
5.PACKAGING DRAWING REFER TO PK-48227-001  
6.TEST SUMMARY REFER TO TS-48226-001  
7.LEAD FREE AND ROHS COMPLIANT PRODUCT  
8,P/N LEGEND 48227-XXXX  
NO OF CKTS \_\_\_\_\_  
MATERIAL & COLOR:  
1-NYLON 46, NATURAL(WHITE)  
2-NYLON 46, BLACK  
3=LCP, BLACK  
PLATING \_\_\_\_\_  
0:GOLD FLASH OVER ALL  
1:TIN PLATED (MATTE) OVER ALL  
2:TIN PLATED (BRIGHT) OVER ALL.

MOD. HSG MATERIAL EC NO. SH2012-0064 DRAWN BY: YANGJOS 2011/08/19 CHKD: CHYD APPR: RZHUANG 2011/09/26 REV	QUALITY SYMBOLS ▽=0 ▽=0	GENERAL TOLERANCES (UNLESS SPECIFIED)		DIMENSION STYLE MM ONLY		SCALE 10:1	DESIGN UNITS METRIC	THIRD ANGLE PROJECTION						
		4 PLACES ± --- ± ---	3 PLACES ± --- ± ---	2 PLACES ± 0.25 ± ---	1 PLACE ± 0.25 ± ---	ANGULAR ± 3°	DRAWN BY BERNIE 2005/11/18	CHECKED BY ERIC KAO 2005/11/18	APPROVED BY WILSON 2005/11/18	TITLE 1.0 MM WTB RIGHT ANGLE HEADER SMT TYPE	MATERIAL NO. SEE TABLE	DOCUMENT NO. SD-48227-001	SHEET NO. 1 OF 3	
DRAFT WHERE APPLICABLE MUST REMAIN WITHIN DIMENSIONS		THIS DRAWING CONTAINS INFORMATION THAT IS PROPRIETARY TO MOLEX INCORPORATED AND SHOULD NOT BE USED WITHOUT WRITTEN PERMISSION												

9 8 7 6 5 4 3 2 1

10 9 8 7 6 5 4 3 2 1

MOLEX PART NO.	HOUSING COLOR&MATERIAL	TERMINAL PLATING	FITTING NAIL PLATING	DIMA	DIMB	DIMC	CKT	MOLEX PART NO.	HOUSING COLOR&MATERIAL	TERMINAL PLATING	FITTING NAIL PLATING	DIMA	DIMB	DIMC	CKT	
48227-0201	NATURE(WHITE) NYLON46	GOLD FLASH OVER ALL THICKNESS : 0.025 MM MIN. NICKEL UNDER PLATED OVER ALL	GOLD FLASH OVER ALL THICKNESS : 0.025 MM MIN. NICKEL UNDER PLATED OVER ALL	1.0	2.4	4.0	2	48227-1011	NATURE(WHITE) NYLON46	TIN PLATED (MATTE) OVER ALL THICKNESS : 2.54 MM MIN. NICKEL UNDER PLATED OVER ALL	TIN PLATED (MATTE) OVER ALL THICKNESS : 2.54 MM MIN. NICKEL UNDER PLATED OVER ALL	9.0	10.4	12.0	10	
48227-0301				2.0	3.4	5.0	3	48227-1111				10.0	11.4	13.0	11	
48227-0302	BLACK NYLON46			3.0	4.4	6.0	4	48227-1211				11.0	12.4	14.0	12	
48227-0401				4.0	5.4	7.0	5	48227-1311				12.0	13.4	15.0	13	
48227-0501	NATURE(WHITE) NYLON46			5.0	6.4	8.0	6	48227-1411				13.0	14.4	16.0	14	
48227-0601				6.0	7.4	9.0	7	48227-1511				14.0	15.4	17.0	15	
48227-0701				7.0	8.4	10.0	8	48227-1611				15.0	16.4	18.0	16	
48227-0801				8.0	9.4	11.0	9	48227-1711				16.0	17.4	19.0	17	
48227-0901				9.0	10.4	12.0	10	48227-1811				17.0	18.4	20.0	18	
48227-1001				10.0	11.4	13.0	11	48227-1911				18.0	19.4	21.0	19	
48227-1101		11.0	12.4	14.0	12	48227-2011	19.0	20.4	22.0	20						
48227-1201		12.0	13.4	15.0	13	48227-0221	NATURE(WHITE) NYLON46	1.0	2.4	4.0	2					
48227-1301		13.0	14.4	16.0	14	48227-0321		2.0	3.4	5.0	3					
48227-1401		14.0	15.4	17.0	15	48227-0322		BLACK NYLON46	3.0	4.4	6.0	4				
48227-1501	15.0	16.4	18.0	16	48227-0421	4.0			5.4	7.0	5					
48227-1601	16.0	17.4	19.0	17	48227-0521	NATURE(WHITE) NYLON46		5.0	6.4	8.0	6					
48227-1701	17.0	18.4	20.0	18	48227-0621			6.0	7.4	9.0	7					
48227-1801	18.0	19.4	21.0	19	48227-0721			7.0	8.4	10.0	8					
48227-1901	19.0	20.4	22.0	20	48227-0821			8.0	9.4	11.0	9					
48227-2001	20.0	21.4	22.0	20	48227-0921			9.0	10.4	12.0	10					
48227-0211	NATURE(WHITE) NYLON46	TIN PLATED (MATTE) OVER ALL THICKNESS : 2.54 MM MIN. NICKEL UNDER PLATED OVER ALL	TIN PLATED (MATTE) OVER ALL THICKNESS : 2.54 MM MIN. NICKEL UNDER PLATED OVER ALL	1.0	2.4			4.0	2	48227-1021	NATURE(WHITE) NYLON46	TIN PLATED (BRIGHT) OVER ALL THICKNESS : 0.025 MM MIN. NICKEL UNDER PLATED OVER ALL	TIN PLATED (BRIGHT) OVER ALL THICKNESS : 0.025 MM MIN. NICKEL UNDER PLATED OVER ALL	10.0	11.4	13.0
48227-0311				2.0	3.4		5.0	3	48227-1121	11.0				12.4	14.0	12
48227-0312	3.0			4.4	6.0		4	48227-1221	12.0	13.4				15.0	13	
48227-0411	4.0			5.4	7.0		5	48227-1321	13.0	14.4				16.0	14	
48227-0511	5.0			6.4	8.0		6	48227-1421	14.0	15.4				17.0	15	
48227-0611	6.0			7.4	9.0	7	48227-1521	15.0	16.4	18.0				16		
48227-0711	7.0			8.4	10.0	8	48227-1621	16.0	17.4	19.0				17		
48227-0811	8.0			9.4	11.0	9	48227-1721	17.0	18.4	20.0				18		
48227-0911	9.0			10.4	11.0	9	48227-1821	18.0	19.4	21.0				19		
										48227-1921						

SEE SHEET1 EC NO. SH2012-0064 DRAWN: YANG05 CHKD: CHIKO APPR: RZHUANG 2011/08/19 2011/09/26	QUALITY SYMBOLS ▽=0 ▽=0	GENERAL TOLERANCES (UNLESS SPECIFIED)		DIMENSION STYLE MM ONLY		SCALE 1:1	DESIGN UNITS METRIC	THIRD ANGLE PROJECTION
		4 PLACES ± --- ± ---	DRAWN BY BERNIE	DATE 2005/11/18	TITLE 1.0 MM WTB RIGHT ANGLE HEADER SMT TYPE			
		3 PLACES ± --- ± ---	CHECKED BY ERIC KAO	DATE 2005/11/18	MOLEX INCORPORATED			
		2 PLACES ± 0.25 ± --- 1 PLACE ± 0.25 ± --- ANGULAR ± 3 °	APPROVED BY WILSON	DATE 2005/11/18	MATERIAL NO. SEE TABLE	DOCUMENT NO. SD-48227-001	SHEET NO. 2 OF 3	
DRAFT WHERE APPLICABLE MUST REMAIN WITHIN DIMENSIONS		THIS DRAWING CONTAINS INFORMATION THAT IS PROPRIETARY TO MOLEX INCORPORATED AND SHOULD NOT BE USED WITHOUT WRITTEN PERMISSION						

9 8 7 6 5 4 3 2 1

10 9 8 7 6 5 4 3 2 1

MOLEX PART NO.	HOUSING COLOR&MATERIAL	TERMINAL PLATING	FITTING NAIL PLATING	DIMA	DIMB	DMC	CKT
48227-0203	BLACK LCP HALOGEN FREE	GOLD FLASH OVER ALL THICKNESS : 0.025 MM MIN. NICKEL UNDER PLATED OVER ALL	GOLD FLASH OVER ALL THICKNESS : 0.025 MM MIN. NICKEL UNDER PLATED OVER ALL	1.0	2.4	4.0	2
48227-0303				2.0	3.4	5.0	3
48227-0403				3.0	4.4	6.0	4
48227-0503				4.0	5.4	7.0	5
48227-0603				5.0	6.4	8.0	6
48227-0703				6.0	7.4	9.0	7
48227-0803				7.0	8.4	10.0	8
48227-0903				8.0	9.4	11.0	9
48227-1003				9.0	10.4	12.0	10
48227-1103				10.0	11.4	13.0	11
48227-1203				11.0	12.4	14.0	12
48227-1303				12.0	13.4	15.0	13
48227-1403				13.0	14.4	16.0	14
48227-1503				14.0	15.4	17.0	15
48227-1603				15.0	16.4	18.0	16
48227-1703				16.0	17.4	19.0	17
48227-1803				17.0	18.4	20.0	18
48227-1903				18.0	19.4	21.0	19
48227-2003				19.0	20.4	22.0	20
48227-0213				BLACK LCP HALOGEN FREE	TIN PLATED (MATTE) OVER ALL THICKNESS : 2.54 MM MIN. NICKEL UNDER PLATED OVER ALL	TIN PLATED (MATTE) OVER ALL THICKNESS : 2.54 MM MIN. NICKEL UNDER PLATED OVER ALL	1.0
48227-0313	2.0	3.4	5.0				3
48227-0413	3.0	4.4	6.0				4
48227-0513	4.0	5.4	7.0				5
48227-0613	5.0	6.4	8.0				6
48227-0713	6.0	7.4	9.0				7
48227-0813	7.0	8.4	10.0				8
48227-0913	8.0	9.4	11.0				9

MOLEX PART NO.	HOUSING COLOR&MATERIAL	TERMINAL PLATING	FITTING NAIL PLATING	DIMA	DIMB	DMC	CKT			
48227-1013	BLACK LCP HALOGEN FREE	TIN PLATED (MATTE) OVER ALL THICKNESS : 2.54 MM MIN. NICKEL UNDER PLATED OVER ALL	TIN PLATED (MATTE) OVER ALL THICKNESS : 2.54 MM MIN. NICKEL UNDER PLATED OVER ALL	9.0	10.4	12.0	10			
48227-1113				10.0	11.4	13.0	11			
48227-1213				11.0	12.4	14.0	12			
48227-1313				12.0	13.4	15.0	13			
48227-1413				13.0	14.4	16.0	14			
48227-1513				14.0	15.4	17.0	15			
48227-1613				15.0	16.4	18.0	16			
48227-1713				16.0	17.4	19.0	17			
48227-1813				17.0	18.4	20.0	18			
48227-1913				18.0	19.4	21.0	19			
48227-2013				19.0	20.4	22.0	20			
48227-0223				BLACK LCP HALOGEN FREE	TIN PLATED (BRIGHT) OVER ALL THICKNESS : 2.54 MM MIN. NICKEL UNDER PLATED OVER ALL	TIN PLATED (BRIGHT) OVER ALL THICKNESS : 2.54 MM MIN. NICKEL UNDER PLATED OVER ALL	1.0	2.4	4.0	2
48227-0323							2.0	3.4	5.0	3
48227-0423							3.0	4.4	6.0	4
48227-0523							4.0	5.4	7.0	5
48227-0623							5.0	6.4	8.0	6
48227-0723							6.0	7.4	9.0	7
48227-0823							7.0	8.4	10.0	8
48227-0923							8.0	9.4	11.0	9
48227-1023							9.0	10.4	12.0	10
48227-1123	10.0	11.4	13.0				11			
48227-1223	11.0	12.4	14.0				12			
48227-1323	12.0	13.4	15.0				13			
48227-1423	13.0	14.4	16.0				14			
48227-1523	14.0	15.4	17.0				15			
48227-1623	15.0	16.4	18.0				16			
48227-1723	16.0	17.4	19.0				17			
48227-1823	17.0	18.4	20.0				18			
48227-1923	18.0	19.4	21.0				19			
48227-2023	19.0	20.4	22.0				20			

SEE SHEET1 EC NO: SH2012-0064 DRAWN: YANG05 CHKD: APPR: RZHANG 2011/08/19 2011/09/26	QUALITY SYMBOLS ▽=0 ▽=0	GENERAL TOLERANCES (UNLESS SPECIFIED) <table border="1"> <tr><th></th><th>mm</th><th>INCH</th></tr> <tr><td>4 PLACES</td><td>± ---</td><td>± ---</td></tr> <tr><td>3 PLACES</td><td>± ---</td><td>± ---</td></tr> <tr><td>2 PLACES</td><td>± 0.25</td><td>± ---</td></tr> <tr><td>1 PLACE</td><td>± 0.25</td><td>± ---</td></tr> <tr><td colspan="3">ANGULAR ± 3 °</td></tr> </table>		mm	INCH	4 PLACES	± ---	± ---	3 PLACES	± ---	± ---	2 PLACES	± 0.25	± ---	1 PLACE	± 0.25	± ---	ANGULAR ± 3 °			DIMENSION STYLE MM ONLY DRAWN BY: BERNIE DATE: 2005/11/18 CHECKED BY: ERIC KAO DATE: 2005/11/18 APPROVED BY: WILSON DATE: 2005/11/18	SCALE: 1:1 DESIGN UNITS: METRIC THIRD ANGLE PROJECTION	TITLE: 1.0 MM WTB RIGHT ANGLE HEADER SMT TYPE
		mm	INCH																				
	4 PLACES	± ---	± ---																				
	3 PLACES	± ---	± ---																				
2 PLACES	± 0.25	± ---																					
1 PLACE	± 0.25	± ---																					
ANGULAR ± 3 °																							
DRAFT WHERE APPLICABLE MUST REMAIN WITHIN DIMENSIONS	MATERIAL NO.: SEE TABLE SIZE: A3 THIS DRAWING CONTAINS INFORMATION THAT IS PROPRIETARY TO MOLEX INCORPORATED AND SHOULD NOT BE USED WITHOUT WRITTEN PERMISSION	MOLEX INCORPORATED DOCUMENT NO.: SD-48227-001	SHEET NO.: 3 OF 3																				

9 8 7 6 5 4 3 2 1