

## **Excellent Integrated System Limited**

Stocking Distributor

Click to view price, real time Inventory, Delivery & Lifecycle Information:

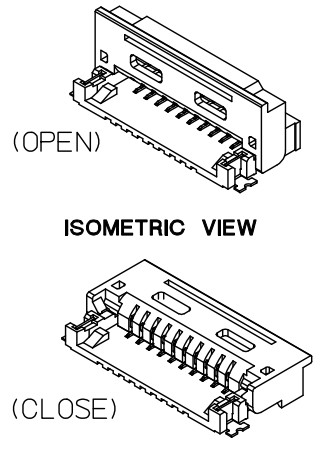
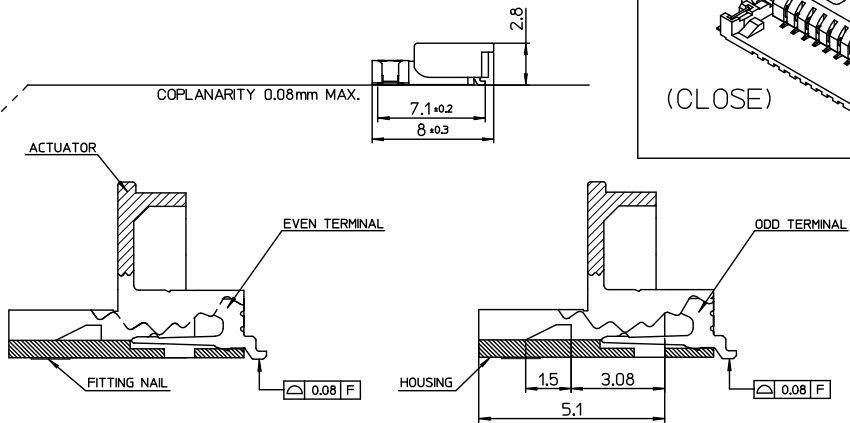
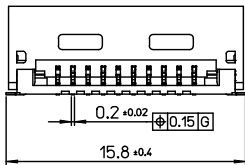
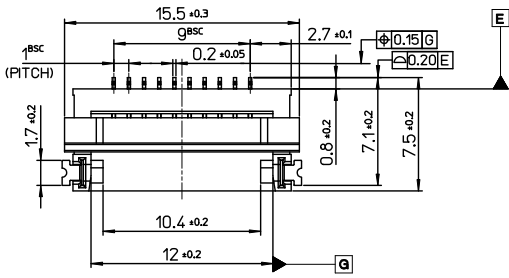
[Molex Connector Corporation](#)  
[0494561017](#)

For any questions, you can email us directly:

[sales@integrated-circuit.com](mailto:sales@integrated-circuit.com)

LEAD FREE

MOLEX CONFIDENTIAL



NOTES

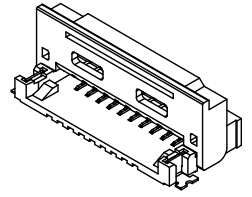
- MATERIAL**
  - HOUSING : PA46, GLASS FILLED, UL94V-0, COLOR: BEIGE (NON HALOGEN FREE, 49456-1017)
  - LCP, GLASS FILLED, UL94V-0, COLOR: NATURAL (HALOGEN FREE, 49456-1047)
  - ACTUATOR : LCP,(OR NYLON) GLASS FILLED, UL94V-0, COLOR:BLACK
  - TERMINAL : COPPER ALLOY
  - FITTING NAIL : COPPER ALLOY
- FINISHES**
  - TERMINAL : Tin(Sn) 1.5~3um OVER NICKEL(NI) PLATING 2~4um
  - FITTING NAIL : TIN(Sn) 1~3um OVER NICKEL(NI) PLATING 1~3um
- PRODUCT SPECIFICATION** : PS-49456-001
- PACKING SPECIFICATION** : PK-49456-001
- ACTUATOR IS OPEN IN THE EMBOSSED PACKING**

HALOGEN FREE	494561047	10
NON HALOGEN FREE	494561017	
TYPE	MATERIAL NO.	CKT

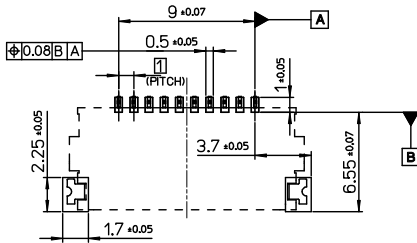
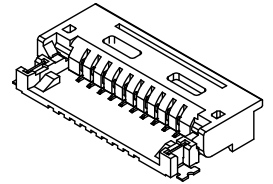
<b>REVISED</b> EC NO: KOR2016-0047 DRAWN BY: JHLEE05 CHKD BY: KSKIM APPR: YS00KIM	<b>DESCRIPTION</b> 2015/12/01 2015/12/01 2015/12/01	<b>QUALITY SYMBOLS</b> ▽=0 ▽=0	<b>GENERAL TOLERANCES (UNLESS SPECIFIED)</b>		<b>DIMENSION STYLE</b> MM ONLY		SCALE	DESIGN UNITS METRIC	THIRD ANGLE PROJECTION		
			4 PLACES	± ---	± ---	DRAWN BY	DATE	TITLE	1.0 FFC BACKFLIP CONN. HOUSING ASSY 10P (BOTTOM CONTACT)  MOLEX INCORPORATED		
			3 PLACES	± ---	± ---	CHECKED BY	DATE				
			2 PLACES	± 0.25	± ---	APPROVED BY	DATE				
1 PLACE	± 0.3	± ---	MATERIAL NO. SEE TABLE		DOCUMENT NO. SD-49456-001		SHEET NO. 1 OF 3				
DRAFT WHERE APPLICABLE MUST REMAIN WITHIN DIMENSIONS			THIS DRAWING CONTAINS INFORMATION THAT IS PROPRIETARY TO MOLEX INCORPORATED AND SHOULD NOT BE USED WITHOUT WRITTEN PERMISSION								

LEAD-FREE

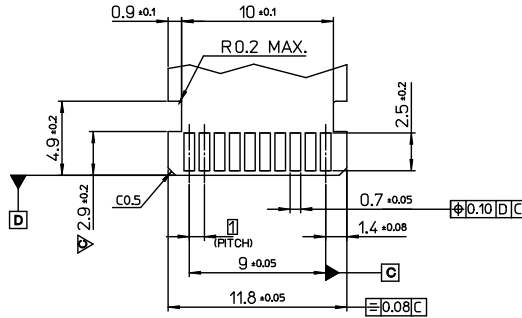
MOLEX CONFIDENTIAL



ISOMETRIC VIEW



P.C. BOARD DIMENSION (RECOMMEND)

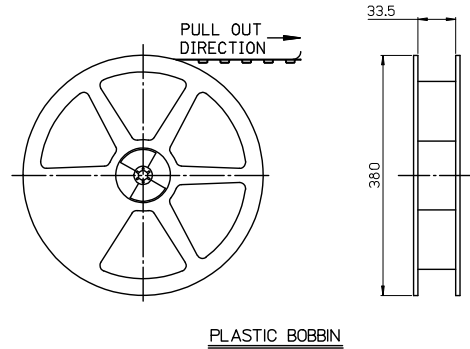
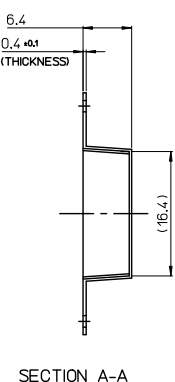
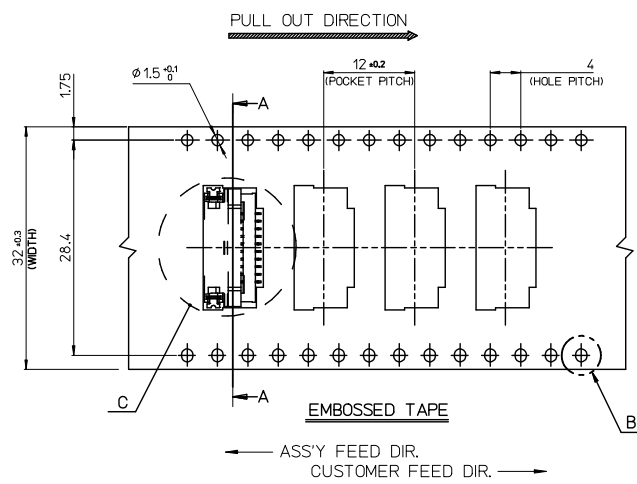


FPC/FFC DIMENSION (RECOMMEND)  
(FLIM THICKNESS = 0.3±0.05)

HALOGEN FREE	494561047	10
NON HALOGEN FREE	494561017	
TYPE	MATERIAL NO.	CKT

REVIDED EC NO: KOR2016-0047 DRW/CHK/APP: YSK/IMJ 2015/12/01 2015/12/01 2015/12/01	QUALITY SYMBOLS	GENERAL TOLERANCES (UNLESS SPECIFIED) <table border="1"> <tr> <td></td> <td>mm</td> <td>INCH</td> </tr> <tr> <td>4 PLACES</td> <td>±---</td> <td>±---</td> </tr> <tr> <td>3 PLACES</td> <td>±---</td> <td>±---</td> </tr> <tr> <td>2 PLACES</td> <td>±0.25</td> <td>±---</td> </tr> <tr> <td>1 PLACE</td> <td>±0.3</td> <td>±---</td> </tr> <tr> <td colspan="3">ANGULAR ± 1°</td> </tr> </table> DRAFT WHERE APPLICABLE MUST REMAIN WITHIN DIMENSIONS		mm	INCH	4 PLACES	±---	±---	3 PLACES	±---	±---	2 PLACES	±0.25	±---	1 PLACE	±0.3	±---	ANGULAR ± 1°			DIMENSION STYLE	SCALE	DESIGN UNITS	THIRD ANGLE PROJECTION
			mm	INCH																				
	4 PLACES		±---	±---																				
	3 PLACES		±---	±---																				
2 PLACES	±0.25	±---																						
1 PLACE	±0.3	±---																						
ANGULAR ± 1°																								
		MM ONLY		METRIC	☉	☐																		
			DRAWN BY: JHLEE05 CHECKED BY: KSKIM APPROVED BY: YS00KIM DATE: 2007/01/22 DATE: 2007/01/22 DATE: 2007/01/22			TITLE: 1.0 FFC BACKFLIP CONN. HOUSING ASSY 10P (BOTTOM CONTACT) MOLEX INCORPORATED																		
B3			SEE TABLE			MOLEX INCORPORATED DOCUMENT NO. SD-49456-001 SHEET NO. 2 OF 3																		

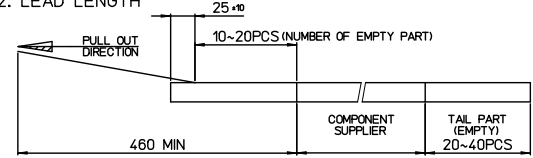
10 9 8 7 6 5 4 3 2 1



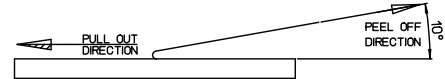
PLASTIC BOBBIN

NOTES

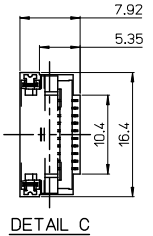
- 1. QUANTITY OF CONNECTORS : 1200PCS/REEL
- 2. LEAD LENGTH



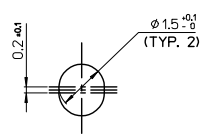
- 3. PEELING OFF FORCE OF COVER TAPE : 0.1N~0.59N(10.2GF~60GF)  
(PEELING DIRECTION AS SHOW IN FOLLOW FIG.)  
PEELING OFF SPEED : 300mm/Min.(Ref.)



- 4. FLASH IN ANY PORTION SHOULD BE LESS THAN 0.20mm MAX.



DETAIL C



DETAIL B

HALOGEN FREE	494561047	494561040	49456-9910	32mm
NON-HALOGEN FREE	494561017	494561010		
TYPE	MATERIAL NO.	CONNECTOR	EMBOSS TAPE	TAPE WIDTH
3	PLASTIC BOBBIN	HI P.S	WHITE	
2	COVER TAPE	P.E.T	25.5mm	
1	CARRIER (EMBOSS) TAPE	P.E.T	-	
NO.	DESCRIPTION	MATERIAL	REMARK	

REVISED  
EC. NO.: KOR2016-0047  
DRAWN BY: JHLEE05  
CHKD BY: KSKIM  
APPR: YSKIM02  
2015/12/01  
2015/12/01  
2015/12/07

QUALITY SYMBOLS  
▽=0  
▽=0

GENERAL TOLERANCES (UNLESS SPECIFIED)	
	mm INCH
4 PLACES	± --- ± ---
3 PLACES	± --- ± ---
2 PLACES	± 0.25 ± ---
1 PLACE	± 0.3 ± ---
ANGULAR ± 1°	
DRAFT WHERE APPLICABLE MUST REMAIN WITHIN DIMENSIONS	

DIMENSION STYLE		SCALE	DESIGN UNITS	THIRD ANGLE PROJECTION
MM ONLY			METRIC	
DRAWN BY	DATE	TITLE		
JHLEE05	2007/01/22	1.0 FFC BACKFLIP CONN. HOUSING ASSY 10P (BOTTOM CONTACT)		
CHECKED BY	DATE	MOLEX INCORPORATED		
KSKIM	2007/01/22			
APPROVED BY	DATE	MATERIAL NO.		
YSOOKIM	2007/01/22	DOCUMENT NO.		
SEE TABLE		SD-49456-001		
SIZE	THIS DRAWING CONTAINS INFORMATION THAT IS PROPRIETARY TO MOLEX INCORPORATED AND SHOULD NOT BE USED WITHOUT WRITTEN PERMISSION			
A3				

SCALE		DESIGN UNITS	THIRD ANGLE PROJECTION
		METRIC	
DRAWN BY		DATE	TITLE
JHLEE05		2007/01/22	1.0 FFC BACKFLIP CONN. HOUSING ASSY 10P (BOTTOM CONTACT)
CHECKED BY		DATE	MOLEX INCORPORATED
KSKIM		2007/01/22	
APPROVED BY		DATE	MATERIAL NO.
YSOOKIM		2007/01/22	DOCUMENT NO.
SEE TABLE		SD-49456-001	
SIZE	THIS DRAWING CONTAINS INFORMATION THAT IS PROPRIETARY TO MOLEX INCORPORATED AND SHOULD NOT BE USED WITHOUT WRITTEN PERMISSION		
A3			

9 8 7 6 5 4 3 2 1