

## Excellent Integrated System Limited

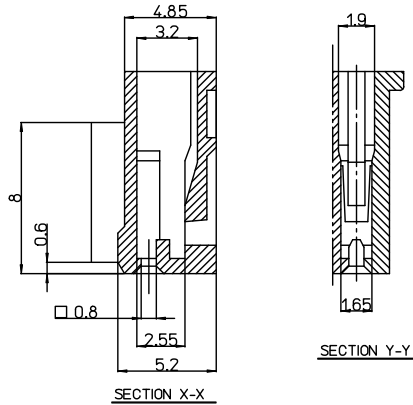
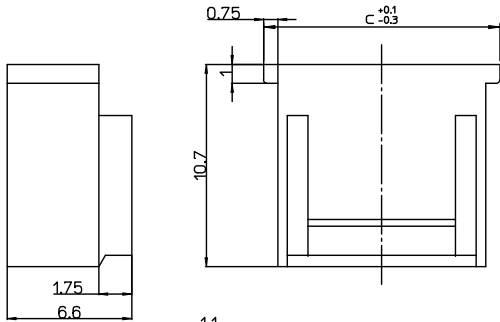
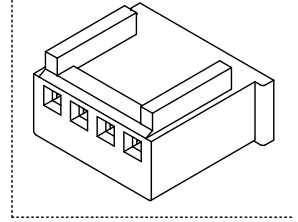
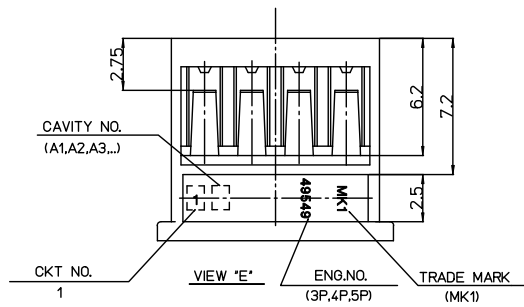
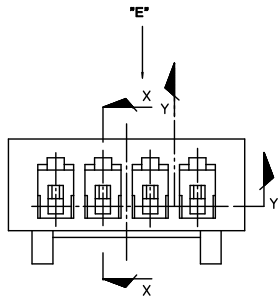
Stocking Distributor

Click to view price, real time Inventory, Delivery & Lifecycle Information:

[Molex Connector Corporation](#)  
[0495490310](#)

For any questions, you can email us directly:

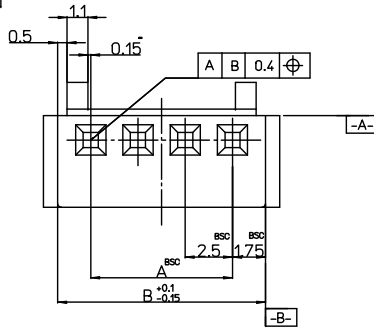
[sales@integrated-circuit.com](mailto:sales@integrated-circuit.com)



**NOTES.**

1. MATERIAL :  $\text{\textcircled{P}}$ PBT, UNFILLED, UL94V-0  
COLOR : NATURAL
2. PRODUCT SPECIFICATION : PS-49549-002
3. APPLICABLE TERMINAL : 57915-9002/8001
4. MATED HOUSING : 5240 SERIES(2P,3P,4P,5P)  
HEADER : 5045 SERIES(2P,3P,4P,5P)

DIM.			MATERIAL NO.	ENG NO.	CKT'
C	B	A			
7.5	6.0	2.5	495490210	49549-0210	2
8.5	5.0	2.5	495490310	49549-0310	3
11.0	7.5	2.5	495490410	49549-0410	4
13.5	10.0	2.5	495490510	49549-0510	5



REVISED EC NO: KCR2009-0162 DRWING: HPAR/K01 2009/06/15 CHKDWY: YANG 2009/07/06 APPR: TUNST/KLIM 2009/07/07	QUALITY SYMBOLS	GENERAL TOLERANCES (UNLESS SPECIFIED)		DIMENSION STYLE MM ONLY		SCALE 5:1	DESIGN UNITS METRIC	THIRD ANGLE PROJECTION	
	$\nabla=0$	4 PLACES	$\pm$ ---	$\pm$ ---	DRAWN BY JB. JIN	DATE 2005/12/21	TITLE 2.5MM MINI SPOX HSG (NEW TYPE)		
	$\nabla=0$	3 PLACES	$\pm$ ---	$\pm$ ---	CHECKED BY WY. YANG	DATE 2005/12/21			
		2 PLACES	$\pm$ 0.25	$\pm$ ---	APPROVED BY SH. CHOI	DATE 2005/12/21	MOLEX INCORPORATED DOCUMENT NO. SD-49549-001 SHEET NO. 1 OF 01		
	1 PLACE	$\pm$ 0.30	$\pm$ ---	MATERIAL NO. SEE NOTES					
DRAFT WHERE APPLICABLE MUST REMAIN WITHIN DIMENSIONS				SIZE A3		THIS DRAWING CONTAINS INFORMATION THAT IS PROPRIETARY TO MOLEX INCORPORATED AND SHOULD NOT BE USED WITHOUT WRITTEN PERMISSION			