

Excellent Integrated System Limited

Stocking Distributor

Click to view price, real time Inventory, Delivery & Lifecycle Information:

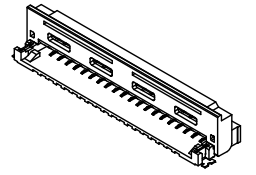
[Molex Connector Corporation](#)
[0495972017](#)

For any questions, you can email us directly:

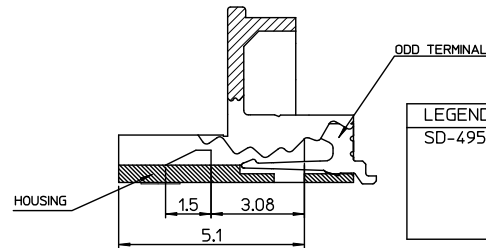
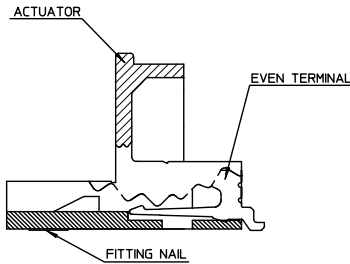
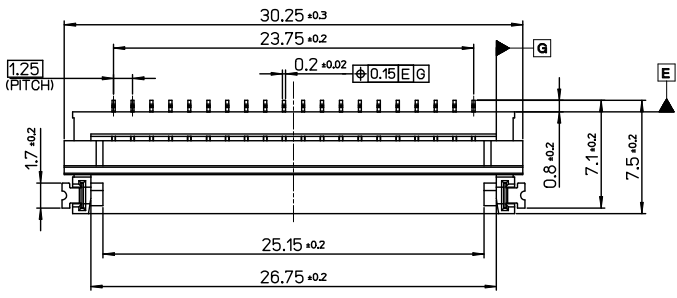
sales@integrated-circuit.com

10 9 8 7 6 5 4 3 2 1

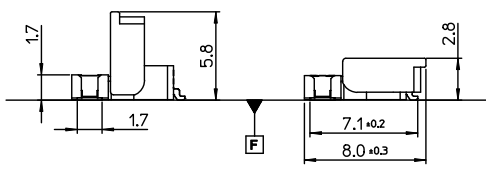
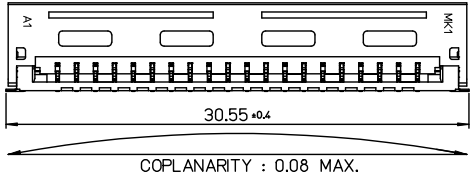
LEAD-FREE



ISOMETRIC VIEW



LEGEND	
SD-49597-20*7	
COLOR	0 : NATURAL
	1 : BLACK
	3 : NATURAL, HALOGEN FREE
	4 : BLACK, HALOGEN FREE



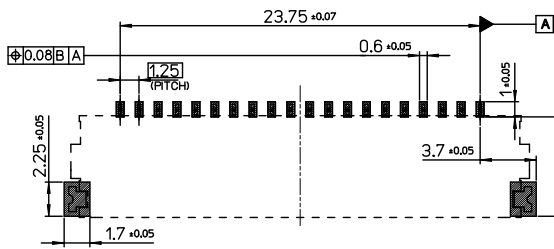
- NOTES**
- MATERIAL**
 - HOUSING : PA46 ,GLASS FILLED. UL94V-0, COLOR: BEIGE. LCP,GLASS FILLED. UL94V-0, COLOR: NATURAL
 - ACTUATOR : LCP,GLASS FILLED. UL94V-0, COLOR: NATURAL, BLACK.
 - TERMINAL : COPPER ALLOY.
 - FITTING NAIL : COPPER ALLOY.
 - FINISHES**
 - TERMINAL : Tin(Sn) OVER NICKEL(Ni) PLATING.
 - FITTING NAIL : TIN(Sn) OVER NICKEL(Ni) PLATING.

- PRODUCT SPECIFICATION** : PS-49597-001
- PACKING SPECIFICATION** : PK-49597-001
- ACTUATOR IS OPEN IN THE EMBOSSED PACKING**

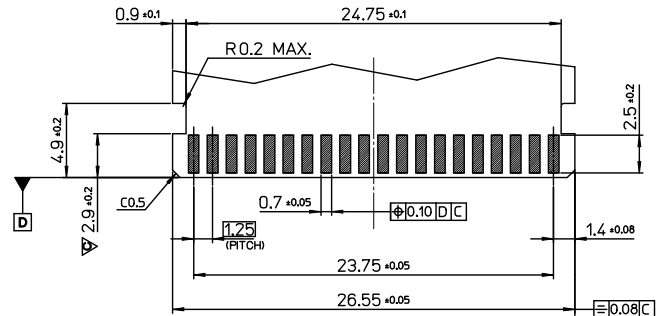
REVISED EC. NO.: KOR2016-0047 TIDRWANKY/M01 2015/12/01 CHK/KSKIM 2015/12/01 APPR: YSK/M02 2015/12/01	QUALITY SYMBOLS ▽=0 ▽=0	GENERAL TOLERANCES (UNLESS SPECIFIED)		DIMENSION STYLE MM ONLY		SCALE	DESIGN UNITS METRIC	THIRD ANGLE PROJECTION	
		4 PLACES ± --- ± ---	3 PLACES ± --- ± ---	2 PLACES ± 0.2 ± ---	1 PLACE ± 0.25 ± ---	ANGULAR ± 1 °	DRAWN BY JHLEE	DATE 2007/03/09	TITLE 1.25 FPC/FFC B/F CONN HOUSING ASS'Y 20P (BOTTOM CONTACT)
		DRAFT WHERE APPLICABLE MUST REMAIN WITHIN DIMENSIONS		SEE TABLE	MATERIAL NO. YS00KIM	DATE 2007/03/09	MOLEX INCORPORATED	DOCUMENT NO. SD-49597-001	SHEET NO. 1 OF 3
		THIS DRAWING CONTAINS INFORMATION THAT IS PROPRIETARY TO MOLEX INCORPORATED AND SHOULD NOT BE USED WITHOUT WRITTEN PERMISSION							

9 8 7 6 5 4 3 2 1

LEAD-FREE



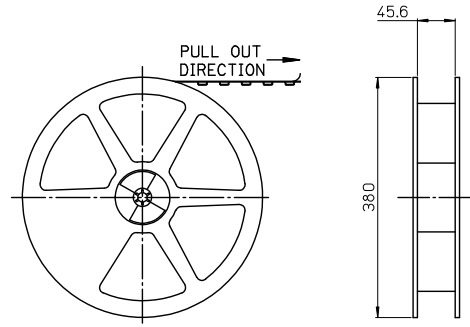
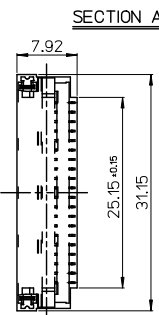
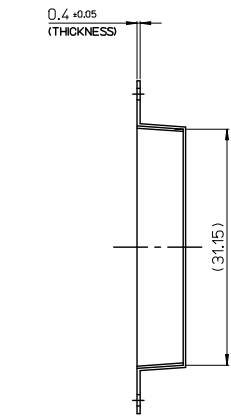
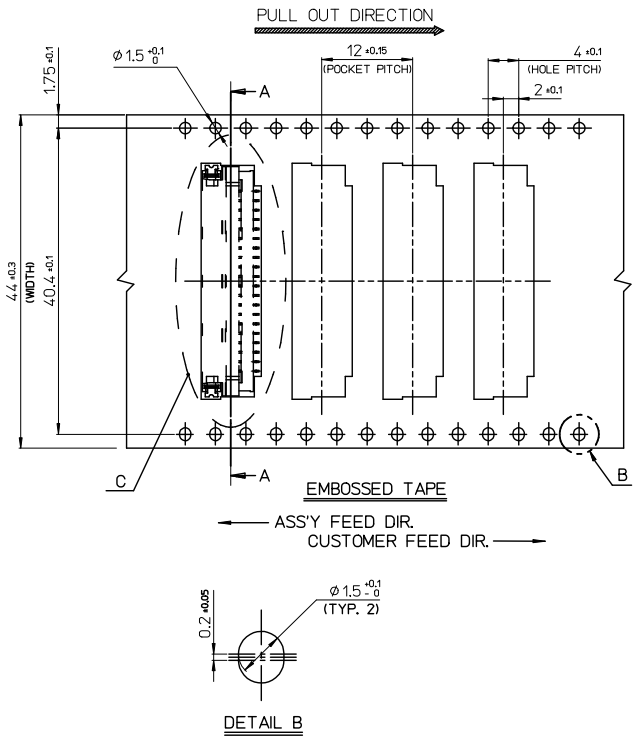
P.C. BOARD DIMENSION (RECOMMEND)



FPC/FFC DIMENSION (RECOMMEND)
(FLIM THICKNESS = 0.3±0.05)

REVISED EC NO: KOR2016-0047 TDRW: YK/M01 2015/12/01 CHK: BSKIM 2015/12/01 APPR: YSK/M02 2015/12/01	QUALITY SYMBOLS ▼=0 ▽=0	GENERAL TOLERANCES (UNLESS SPECIFIED)		DIMENSION STYLE MM ONLY		SCALE	DESIGN UNITS METRIC	THIRD ANGLE PROJECTION			
		4 PLACES ± --- ± ---	3 PLACES ± --- ± ---	2 PLACES ± 0.2 ± ---	1 PLACE ± 0.25 ± ---	ANGULAR ± 1 °	DRAWN BY JHLEE	DATE 2007/03/09	CHECKED BY KSKIM	DATE 2007/03/09	TITLE 1.25 FPC/FFC B/F HOUSING ASS'Y 20P (BOTTOM CONTACT)
		DRAFT WHERE APPLICABLE MUST REMAIN WITHIN DIMENSIONS					APPROVED BY YS00KIM	DATE 2007/03/09	MOLEX INCORPORATED	SHEET NO. 2 OF 3	
		SEE TABLE					MATERIAL NO.	DOCUMENT NO. SD-49597-001	MOLEX INCORPORATED		

10 9 8 7 6 5 4 3 2 1



PLASTIC BOBBIN

NOTES

1. QUANTITY OF CONNECTORS : 1200PCS/REEL
2. LEAD LENGTH
3. PEELING OFF FORCE OF COVER TAPE : 0.1N~0.59N(10.2GF~60GF)
 (PEELING DIRECTION AS SHOW IN FOLLOW FIG.)
 PEELING OFF SPEED : 300mm/Min.(Ref.)
4. FLASH IN ANY PORTION SHOULD BE LESS THAN 0.20mm MAX.

HALOGEN FREE	495972047	495972040	49597-9920	44mm	BLACK
	495972037	495972030			NATURAL
NON-HF	495972017	495972010	49597-9920	44mm	BLACK
	495972007	495972000			NATURAL
TYPE	MATERIAL NO.	CONNECTOR	EMBOSS TAPE	TAPE WIDTH	COLOR
3		PLASTIC BOBBIN	HI P.S		WHITE
2		COVER TAPE	P.E.T		37.5mm
1		CARRIER (EMBOSS) TAPE	P.E.T		
NO.	DESCRIPTION		MATERIAL	REMARK	

REVISED
 EC. NO.: KOR2016-0047
 TIDRWANKY/M01 2015/12/01
 CHK/BSKIM 2015/12/01
 APPR: YSK/IMZ 2015/12/01

QUALITY SYMBOLS	▽=0	GENERAL TOLERANCES (UNLESS SPECIFIED)
	▽=0	
		mm INCH
	4 PLACES ± --- ± ---	
	3 PLACES ± --- ± ---	
	2 PLACES ± 0.2 ± ---	
	1 PLACE ± 0.25 ± ---	
	ANGULAR ± 1 °	
	DRAFT WHERE APPLICABLE MUST REMAIN WITHIN DIMENSIONS	

DIMENSION STYLE	SCALE	DESIGN UNITS	THIRD ANGLE PROJECTION
MM ONLY		METRIC	
DRAWN BY	DATE	TITLE	
JHLEE	2007/03/09	1.25 FPC/FFC B/F CONN HOUSING ASS'Y 20P (BOTTOM CONTACT)	
CHECKED BY	DATE	MOLEX INCORPORATED	
KSKIM	2007/03/09		
APPROVED BY	DATE	MATERIAL NO. DOCUMENT NO.	
YSOOKIM	2007/03/09	SEE TABLE SD-49597-001	
SIZE	THIS DRAWING CONTAINS INFORMATION THAT IS PROPRIETARY TO MOLEX INCORPORATED AND SHOULD NOT BE USED WITHOUT WRITTEN PERMISSION		
A3			

9 8 7 6 5 4 3 2 1