

Excellent Integrated System Limited

Stocking Distributor

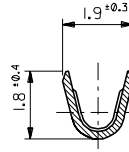
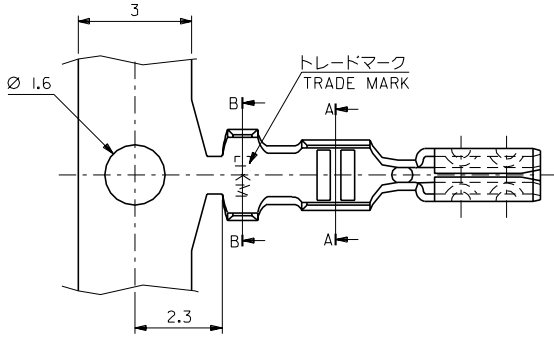
Click to view price, real time Inventory, Delivery & Lifecycle Information:

[Molex Connector Corporation](#)
[0508028100](#)

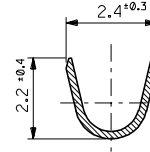
For any questions, you can email us directly:

sales@integrated-circuit.com

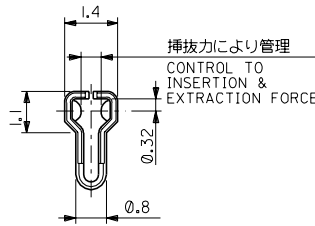
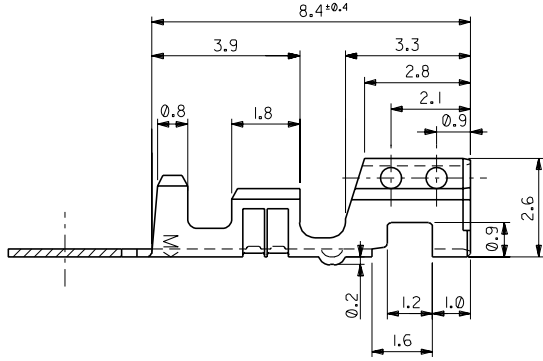
DWG. NO. SD-50802-002



断面 A-A
SECT. A-A



断面 B-B
SECT. B-B



挿抜力により管理
CONTROL TO
INSERTION &
EXTRACTION FORCE.

注記 NOTES:

1. 適合ハウジング:
APPLICABLE HOUSING: 51191-***00

錫メッキリン青銅 PRE-TINNED PHOS-BRO.	50802-8100	バラ状 LOOSE
錫メッキリン青銅 PRE-TINNED PHOS-BRO.	50802-8000	連鎖状 CHAIN
錫メッキ黄銅 PRE-TINNED BRASS	50802-9101	バラ状 LOOSE
錫メッキ黄銅 PRE-TINNED BRASS	50802-9001	連鎖状 CHAIN
材料 MATERIAL	材料 NO. MATERIAL NO.	端子形状 FORM

MODEL NO. 50802-***	DIMENSIONS:	SHT	REV
	<input type="checkbox"/> mm <input type="checkbox"/> INCH	<input type="checkbox"/> mm <input type="checkbox"/> ONLY	<input type="checkbox"/> REVERSE ON CAD ONLY
SCALE	DESIGN UNITS	TITLE:	
<input checked="" type="checkbox"/> mm <input type="checkbox"/> INCH	<input checked="" type="checkbox"/> mm <input type="checkbox"/> INCH	2.5 WIRE TO BOARD CONN. CRIMP RECEPTACLE	
DRAWN BY & DATE	CHECKED BY & DATE	APPROVED BY & DATE	
S.MATSUZAKI 98/4/9	S.KUNISHI 98/4/10	M.FUKUSHIMA 98/4/10	
CAD FILENAME	MATERIAL NO.	DRAWING NO.	SHEET NO.
50802002.S01	50802-***	SD-50802-002	1/1

8	84 NO. DRAWN: CHK: APPR:	7	83 NO. DRAWN: CHK: APPR:	6	82 NO. DRAWN: CHK: APPR:	5	81 NO. DRAWN: CHK: APPR:	4	80 NO. DRAWN: CHK: APPR:	3	79 NO. DRAWN: CHK: APPR:	2	78 NO. DRAWN: CHK: APPR:	1	77 NO. DRAWN: CHK: APPR:
<p>表参照 (t=0.203) SEE TABLE</p> <p>AWG #22~#28 0.33~0.08mm²</p> <p>Ø 1.15 ~ 1.9</p>															