

Excellent Integrated System Limited

Stocking Distributor

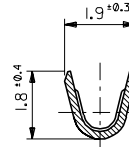
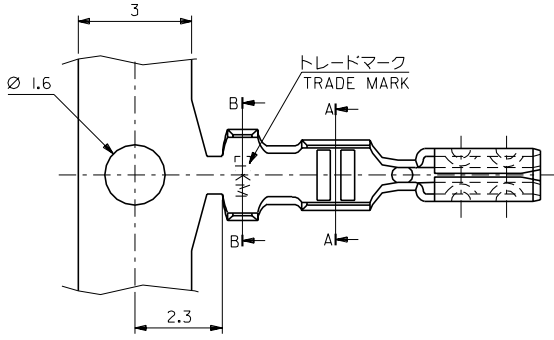
Click to view price, real time Inventory, Delivery & Lifecycle Information:

[Molex Connector Corporation](#)
[0508029101](#)

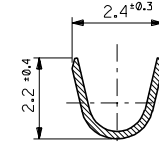
For any questions, you can email us directly:

sales@integrated-circuit.com

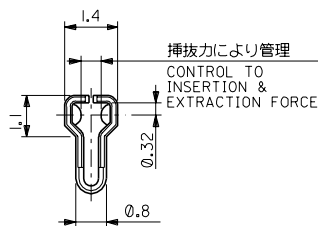
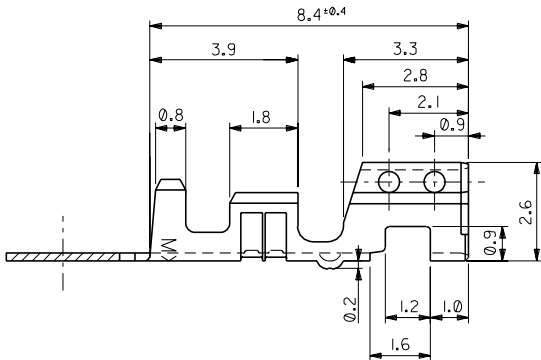
DWG. NO. SD-50802-002



断面 A-A
SECT. A-A



断面 B-B
SECT. B-B



注記 NOTES:
1. 適合ハウジング: APPLICABLE HOUSING: 51191-***00

錫メッキリン青銅 PRE-TINNED PHOS-BRO.	50802-8100	バラ状 LOOSE
錫メッキリン青銅 PRE-TINNED PHOS-BRO.	50802-8000	連鎖状 CHAIN
錫メッキ黄銅 PRE-TINNED BRASS	50802-9101	バラ状 LOOSE
錫メッキ黄銅 PRE-TINNED BRASS	50802-9001	連鎖状 CHAIN
材料 MATERIAL	材料 NO. MATERIAL NO.	端子形状 FORM

DO NOT SCALE DRAWING		E84 NO. DRAWN: CHK: APPR:		E83 NO. DRAWN: CHK: APPR:		E82 NO. DRAWN: CHK: APPR:		E81 NO. DRAWN: CHK: APPR:		RELEASED E80 NO. JC80766 98/4/9 DRAWN: S.MATSUZAKI CHK: S.KUNISHI APPR: M.FUKUSHIMA 98/4/10		MATERIAL 材料 表参照 (t=0.203) SEE TABLE		GENERAL TOLERANCES: (UNLESS SPECIFIED) 一般公差		SCALE DESIGN UNITS <input checked="" type="checkbox"/> mm <input type="checkbox"/> INCH		MODEL NO. 50802-*** DIMENSIONS:		SHT REV 227 1/1					
										FINISH 仕上げ 〃		WIRE RANGE 適用電線範囲 AWG #22~#28 0.33~0.08mm ²		10 UNDER 未満 ±0.2 10 OVER 以上 30 UNDER 未満 ±0.25 30 OVER 以上 ±0.3		DRAWN BY & DATE S.MATSUZAKI 98/4/9		TITLE: 2.5 WIRE TO BOARD CONN. CRIMP RECEPTACLE		PROJECTION <input checked="" type="checkbox"/> 0° <input type="checkbox"/> 45° <input type="checkbox"/> 90°		MATERIAL NO. 50802-*** DRAWING NO. SD-50802-002		SHEET NO. 1/1	
										INS. RANGE 挿入径 Ø 1.15 ~ 1.9		ANGLE 角度 ±3°		APPROVED BY & DATE M.FUKUSHIMA 98/4/10		MOLEX INCORPORATED		CAD FILENAME 50802002.S01		MATERIAL NO. 50802-*** DRAWING NO. SD-50802-002		SHEET NO. 1/1			
														THIS DRAWING CONTAINS INFORMATION THAT IS PROPRIETARY TO MOLEX INCORPORATED AND SHOULD NOT BE USED WITHOUT WRITTEN PERMISSION.						SIZE B					
																				EN-02J(097) MXJ-54					