

Excellent Integrated System Limited

Stocking Distributor

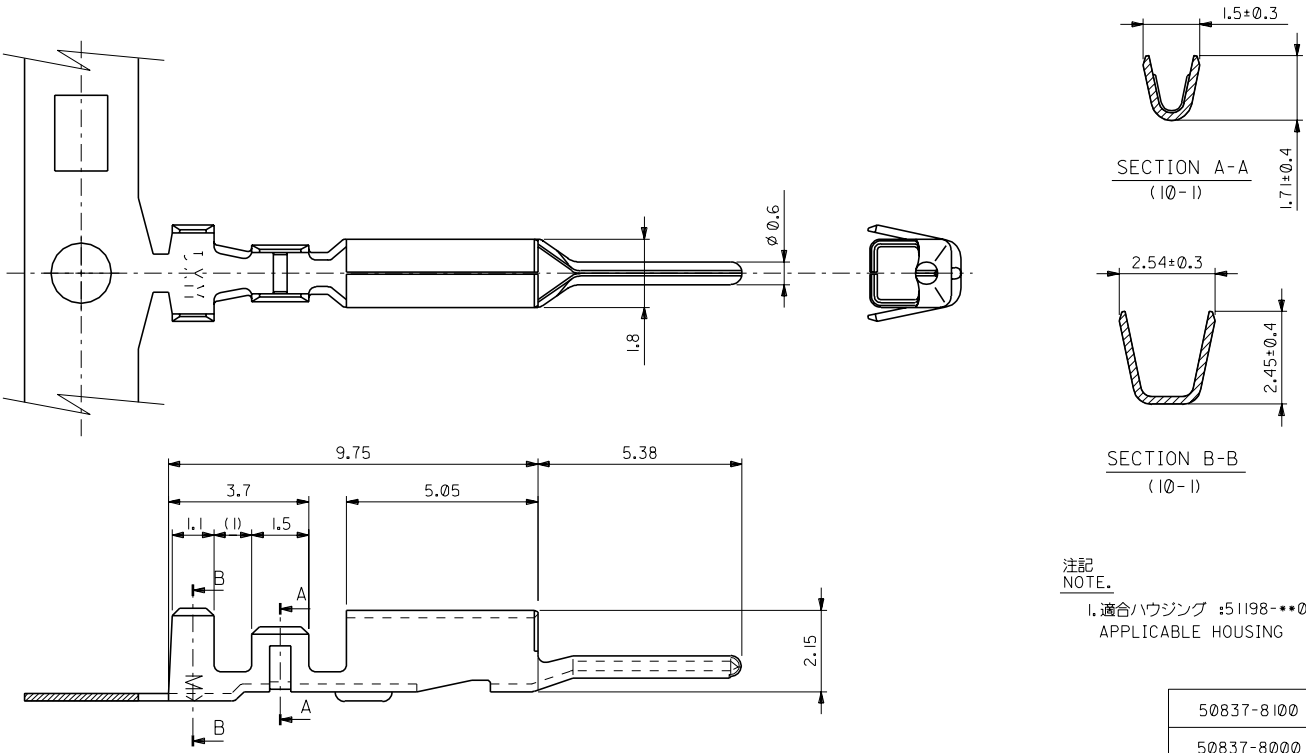
Click to view price, real time Inventory, Delivery & Lifecycle Information:

[Molex Connector Corporation](#)
[0508378100](#)

For any questions, you can email us directly:

sales@integrated-circuit.com

DWG. NO. SD-50837-002



注記
NOTE.
1. 適合ハウジング : 51198-***00
APPLICABLE HOUSING

50837-8100	バラ状 LOOSE
50837-8000	連鎖状 CHAIN
製品番号 MATERIAL NO.	端子形状 FORM

DO NOT SCALE DRAWING

EC NO. DRWN: CHK: APPR:	EC NO. DRWN: CHK: APPR:	EC NO. DRWN: CHK: APPR:	EC NO. DRWN: CHK: APPR:	EC NO. DRWN: CHK: APPR:
8	7	6	5	4

新編作成 PROPOSED EC NO. JD90189 DRWN: M.YAGI '98/08/05 CHK: Y.ITO APPR: H.IKESUGI	MATERIAL 材料 りん青銅 スズメッキ (t=0.2) PRE-TINNED PHOSPHOR BRONZE (t=0.2)
FINISH 仕上げ	—
WIRE RANGE 適用電線範囲	AWG #22-#28
INS. RANGE 被覆外径	φ1.15-φ1.8

GENERAL TOLERANCES: (UNLESS SPECIFIED) 一般公差	SCALE 10-1	DESIGN UNITS mm INCH
10 UNDER 未満	±0.2	DRAWN BY & DATE Y.Ito '98/05/14
10 OVER 以上	±0.25	CHECKED BY & DATE Y.Ito
30 UNDER 未満	±0.3	APPROVED BY & DATE Y.Ito
30 OVER 以上	±0.3	CAD FILE NAME 50837002.S01
ANGLE 角度	±3°	MATERIAL NO. SEE CHART

THIRD ANGLE PROJECTION	TITLE: 2.5 WIRE TO BOARD CONN. CRIMP PIN
DIMENSIONS: mm INCH mm ONLY	MOLEX INCORPORATED
SHT REV	DRAWING NO. SD-50837-002
REVISE ON CAD ONLY	SHEET NO. 1 OF 1

THIS DRAWING CONTAINS INFORMATION THAT IS PROPRIETARY TO MOLEX INCORPORATED AND SHOULD NOT BE USED WITHOUT WRITTEN PERMISSION.