

Excellent Integrated System Limited

Stocking Distributor

Click to view price, real time Inventory, Delivery & Lifecycle Information:

[Molex Connector Corporation](#)
[0510351300](#)

For any questions, you can email us directly:

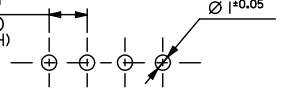
sales@integrated-circuit.com

10 9 8 7 6 5 4 3 2 1

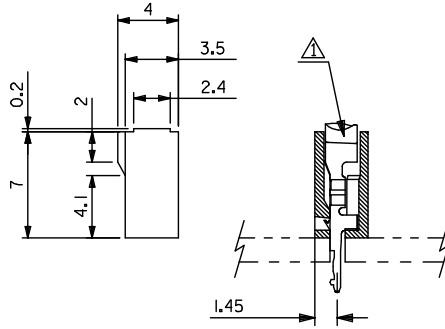
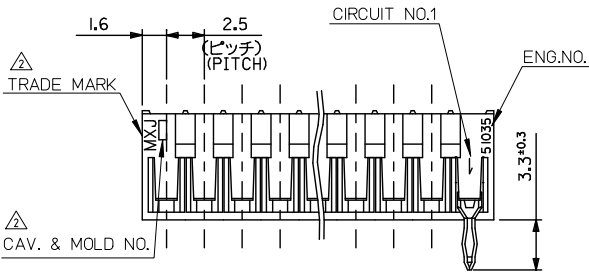
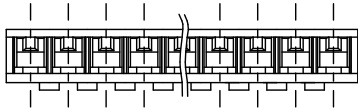
注記
NOTE

- △ 適合ターミナル: 500978*00
APPLICABLE: 500978*00
- △ トレードマーク: MXJにて表示。
キャビティ番号: 1桁から2桁の数字にて表示。 金型番号: アルファベット1文字にて表示。
TRADE MARK IS FORMED BY MXJ.
AND BY 1-2 DIGIT NUMBER (TO CAVITY NO.)
AND BY 1 LETTER OD ALPHABET (TO MOLD NO.)
- 3. ELV及びRoHS適合品
ELV AND RoHS COMPLIANT.

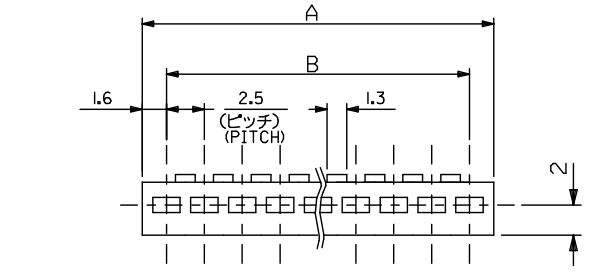
(公差非累積)
(NON-ACCUMULATIVE)
2.5^{+0.1}
(ピッチ)
(PITCH)



基板取付穴推奨寸法 (基板厚: 1.6mm)
RECOMMENDED PC BOARD HOLE DIMENSION
(THICKNESS: 1.6mm)



42.5	45.7	51035 1800	18
37.5	40.7	↑ 1600	16
35.0	38.2	1500	15
32.5	35.7	1400	14
30.0	33.2	1300	13
27.5	30.7	1200	12
25.0	28.2	1100	11
22.5	25.7	1000	10
20.0	23.2	0900	9
17.5	20.7	0800	8
15.0	18.2	0700	7
12.5	15.7	0600	6
10.0	13.2	0500	5
7.5	10.7	0400	4
5.0	8.2	0300	3
2.5	5.7	51035 0200	2
B	A	ORDER NO.	電 CKT.



材料 MATERIAL	POLYAMIDE, UL94V-0
適用電線範囲 WIRE RANGE	AWG#24~20,KVQ.2~0.5 AVSQ.3~0.5
被覆外径 INS. RANGE	φ1.3~2.1

REVISED EC NO. J2016-0744 DRAWING#31 CHKD:SKIKYAMA APPR:IKANEKO REV H	DESCRIPTION	GENERAL TOLERANCES (UNLESS SPECIFIED)	DIMENSION STYLE MM ONLY	SCALE 4:1	DESIGN UNITS METRIC	THIRD ANGLE PROJECTION
		10 UNDER ± 0.2	DRAWN BY DATE KSANO 1996/06/30	TITLE 2.5 BOARD IN CONN. HOUSING		
		10 OVER 30 UNDER ± 0.25	CHECKED BY DATE MSAKANO 1996/06/30	DOCUMENT NO. SD-51035-001		
		30 OVER ± 0.3	APPROVED BY DATE MENOMOTO 1996/06/30	SHEET NO. 1 OF 1		
	ANGULAR ± 3 °	DRAFT WHERE APPLICABLE MUST REMAIN WITHIN DIMENSIONS	MATERIAL NO. SEE CHART	THIS DRAWING CONTAINS INFORMATION THAT IS PROPRIETARY TO MOLEX INCORPORATED AND SHOULD NOT BE USED WITHOUT WRITTEN PERMISSION		

9 8 7 6 5 4 3 2 1