

## Excellent Integrated System Limited

Stocking Distributor

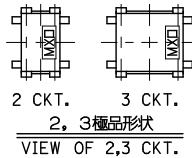
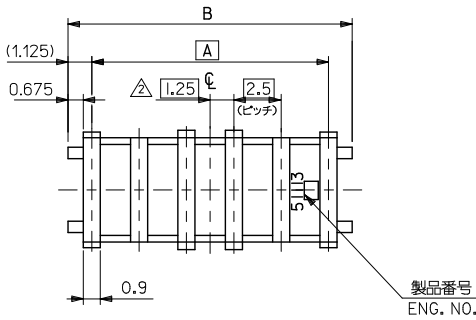
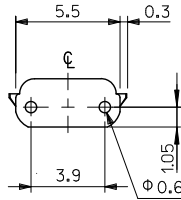
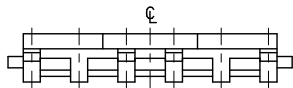
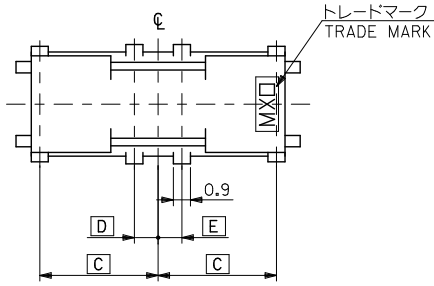
Click to view price, real time Inventory, Delivery & Lifecycle Information:

[Molex Connector Corporation](#)  
[0511130505](#)

For any questions, you can email us directly:

[sales@integrated-circuit.com](mailto:sales@integrated-circuit.com)

10 9 8 7 6 5 4 3 2 1



NOTES

- 適合ハウジング : 51111,51112シリーズ  
APPLICABLE HOUSING : 51111,51112SERIES.
- 極数 / 2 = 偶数に適用  
APPLY FOR CKT. SIZE / 2 = EVEN.
- 本製品のプラスチック部に黒点等が確認される場合や色合いが異なる場合がありますが、製品性能に影響はありません。  
THERE IS NO INFLUENCE IN THE PRODUCT PERFORMANCE THOUGH THE BLACK SPOT ETC. MIGHT BE CONFIRMED TO THE PLASTIC PART OF THIS PRODUCT AND THE SHADE MIGHT BE DIFFERENT.
- ELV及びRoHS適合品  
ELV AND RoHS COMPLIANT.

2.5	0	17.5	37.25	35	51113-1505	15
1.25	1.25	16.25	34.75	32.5	▲ -1405	14
2.5	0	15	32.25	30	-1305	13
1.25	1.25	13.75	29.75	27.5	-1205	12
2.5	0	12.5	27.25	25	-1105	11
1.25	1.25	11.25	24.75	22.5	-1005	10
2.5	0	10	22.25	20	-0905	9
1.25	1.25	8.75	19.75	17.5	-0805	8
2.5	0	7.5	17.25	15	-0705	7
1.25	1.25	6.25	14.75	12.5	-0605	6
2.5	0	5	12.25	10	-0505	5
1.25	1.25	3.75	9.75	7.5	-0405	4
2.5	0	—	7.25	5	▼ -0305	3
1.25	1.25	—	4.75	2.5	51113-0205	2
E	D	C	B	A	製品番号 MATERIAL NO.	極数 NO. OF CKT.

REVISED EC NO. J2011-0892 DRAWN BY 2011/01/06 CHKD/KASAKAWA 2011/01/06 APPR/NUKITA 2011/01/11	GENERAL TOLERANCES (UNLESS SPECIFIED)		DIMENSION STYLE MM ONLY	SCALE 5:1	DESIGN UNITS METRIC	THIRD ANGLE PROJECTION
	10 UNDER	± 0.2	DRAWN BY NITO	DATE 2009/08/28	TITLE 2.5 WIRE TO WIRE CONN. RETAINER	
	10 OVER 30 UNDER	± 0.25	CHECKED BY KASAKAWA	DATE 2009/08/28	MOLEX INCORPORATED	
	30 OVER	± 0.3	APPROVED BY NUKITA	DATE 2009/08/28	MATERIAL NO. SEE TABLE	DOCUMENT NO. SD-51113-001
A	ANGULAR ±3° DRAFT WHERE APPLICABLE MUST REMAIN WITHIN DIMENSIONS		THIS DRAWING CONTAINS INFORMATION THAT IS PROPRIETARY TO MOLEX INCORPORATED AND SHOULD NOT BE USED WITHOUT WRITTEN PERMISSION			

部品 PART	材質 MATERIAL
リテーナー RETAINER	ポリブチレンテレフタレート UL94V-0 色: 灰色 POLYBUTYLENE TEREPHTHALATE UL94V-0 COLOR: GRAY

ib\_frame\_A3\_1\_ME\_S  
Rev. E 2006/04/15

EN-02JA(021)