

## Excellent Integrated System Limited

Stocking Distributor

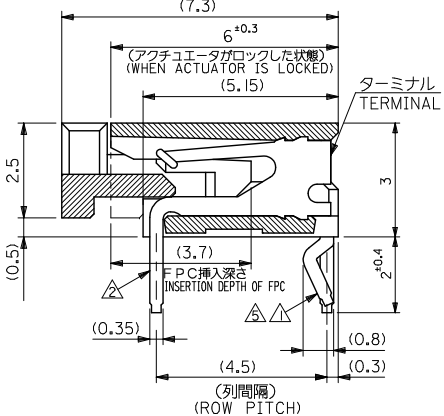
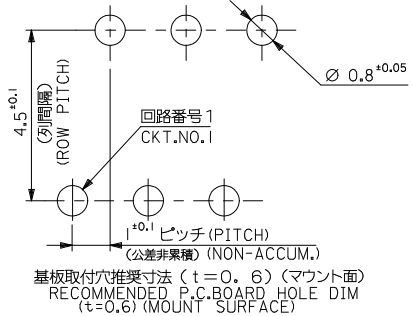
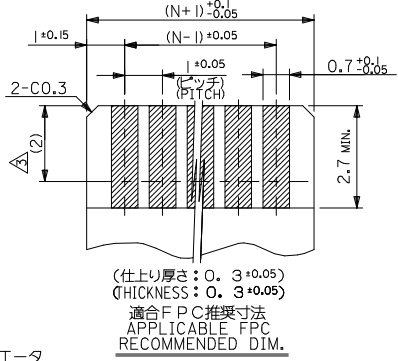
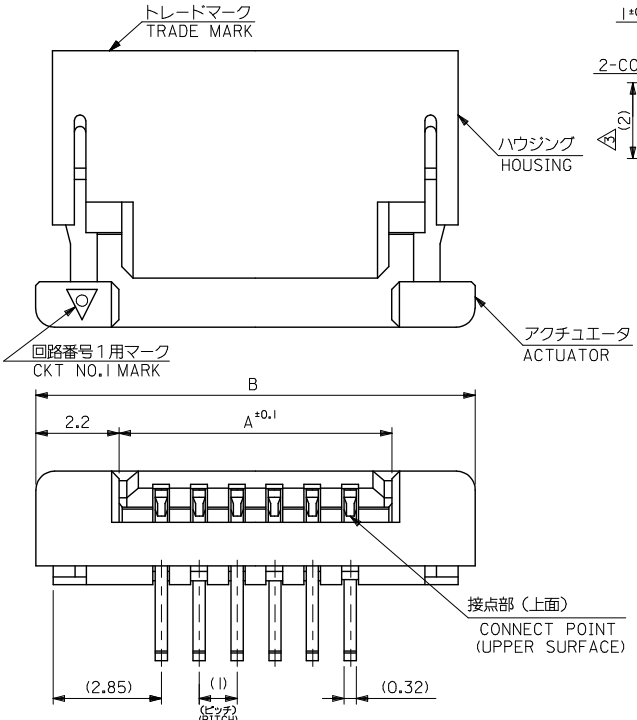
Click to view price, real time Inventory, Delivery & Lifecycle Information:

[Molex Connector Corporation](#)  
[0520890719](#)

For any questions, you can email us directly:

[sales@integrated-circuit.com](mailto:sales@integrated-circuit.com)

10 9 8 7 6 5 4 3 2 1



25.6	21.2	52089-2019	20
21.6	17.2	52089-1619	16
20.6	16.2	52089-1519	15
19.6	11.2	52089-1019	10
14.6	10.2	52089-0919	9
13.6	9.2	52089-0819	8
12.6	8.2	52089-0719	7
10.6	6.2	52089-0519	5
9.6	5.2	52089-0419	4
B	A	MATERIAL NO.	種数 CKT.

- 注記 NOTES**
- △ CKT. NO. 1を基準に偶数番目のソルダータール。  
EVEN NUMBER SOLDER TAIL
  - △ CKT. NO. 1を基準に奇数番目のソルダータール。  
ODD NUMBER SOLDER TAIL
  - △ 接点部までの嵌合長さ。  
LENGTH TO CONTACT POINT.
  - 4. 使用材料 MATERIAL  
ハウジング : 66ナイロン, UL94V-0  
アクチュエータ : ポリエステル, UL94V-0  
ターミナル : リン青銅, ニッケル下地 錫・ビスマスメッキ  
TERMINAL : PHOS-BRO.TIN-BISMUTM OVER NICKEL-PLATED
  - △ キングはソルダータールの両端のみに適用。  
KINK APPLIES BOTH SIDE △ TERMINALS ONLY
  - 6. 本製品は 52089-\*\*10 の鉛フリー品である。  
THIS PRODUCT IS LEAD FREE OF 52089-\*\*10.

<b>REVISED</b> IEC NO. J2016-1317 DRAWN BY SHIBATA CHKD: Y010 APPR: Y010 2016/06/29 2016/06/30 2016/06/30	GENERAL TOLERANCES (UNLESS SPECIFIED)		DIMENSION STYLE		SCALE	DESIGN UNITS	THIRD ANGLE PROJECTION
	0.25 UNDER	UNDER	± 0.03	MM ONLY	10:1	METRIC	◎ □
	0.25 OVER	0.5 UNDER	± 0.05	DRAWN BY	DATE	TITLE	
	0.5 OVER	1.0 UNDER	± 0.1	J. SASAMO	2004/7/22	1.0 FPC CONN ZIF R/A	
	1.0 OVER	10 UNDER	± 0.2	CHECKED BY	DATE	-LEAD FREE-	
10 OVER	30 UNDER	± 0.25	K. TOJO	2004/7/22	molex		
30 OVER		± 0.3	APPROVED BY	DATE	MATERIAL NO.	DOCUMENT NO.	SHEET NO.
ANGULAR	± 3 °		N. UKITA	2004/7/22	52089-**19	SD-52089-001	1 OF 1
DRAFT WHERE APPLICABLE MUST REMAIN WITHIN DIMENSIONS				SIZE	THIS DRAWING CONTAINS INFORMATION THAT IS PROPRIETARY TO MOLEX ELECTRONIC TECHNOLOGIES, LLC AND SHOULD NOT BE USED WITHOUT WRITTEN PERMISSION		
				A3			

10 9 8 7 6 5 4 3 2 1