

## Excellent Integrated System Limited

Stocking Distributor

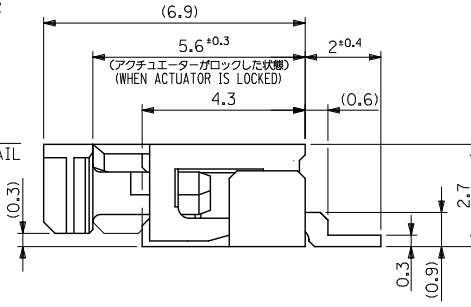
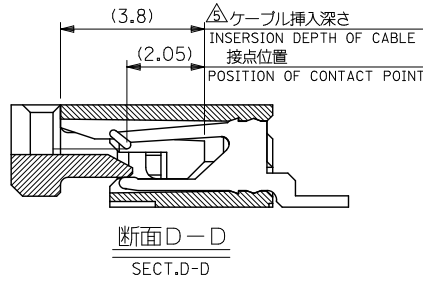
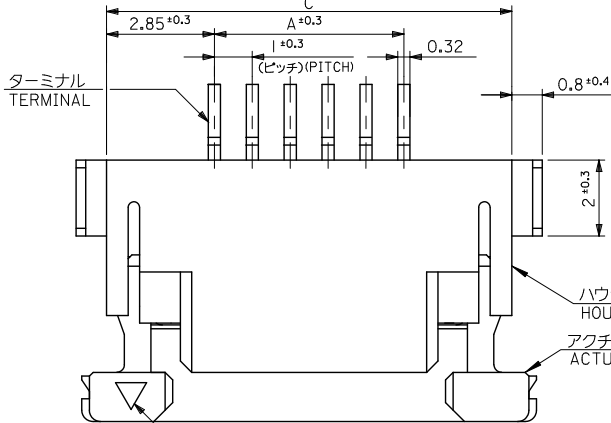
Click to view price, real time Inventory, Delivery & Lifecycle Information:

[Molex Connector Corporation](#)  
[0522072985](#)

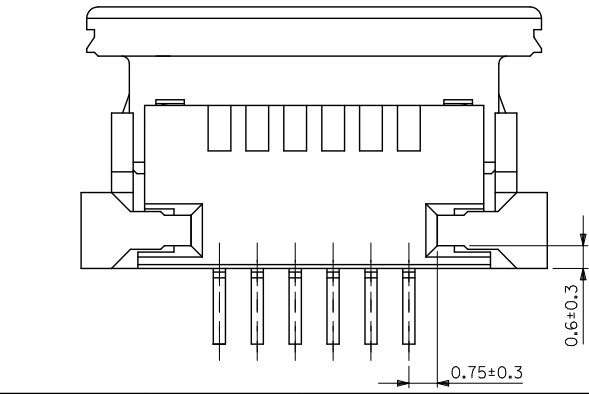
For any questions, you can email us directly:

[sales@integrated-circuit.com](mailto:sales@integrated-circuit.com)

10 9 8 7 6 5 4 3 2 1

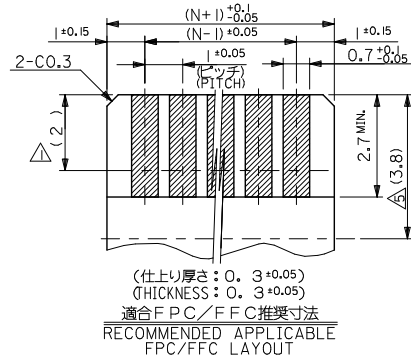
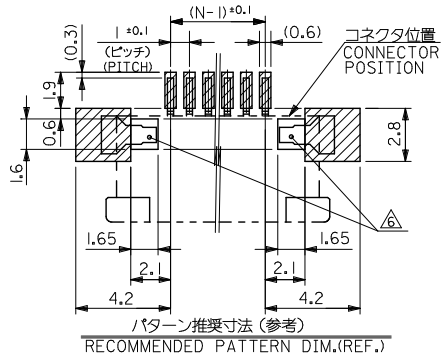


38.7	35.2	33	52207-3485	34
34.7	31.2	29	52207-3085	30
33.7	30.2	28	52207-2985	29
32.7	29.2	27	52207-2885	28
31.7	28.2	26	52207-2785	27
30.7	27.2	25	52207-2685	26
29.7	26.2	24	52207-2585	25
28.7	25.2	23	52207-2485	24
27.7	24.2	22	52207-2385	23
26.7	23.2	21	52207-2285	22
25.7	22.2	20	52207-2185	21
24.7	21.2	19	52207-2085	20
23.7	20.2	18	52207-1985	19
22.7	19.2	17	52207-1885	18
21.7	18.2	16	52207-1785	17
20.7	17.2	15	52207-1685	16
19.7	16.2	14	52207-1585	15
18.7	15.2	13	52207-1485	14
17.7	14.2	12	52207-1385	13
16.7	13.2	11	52207-1285	12
15.7	12.2	10	52207-1185	11
14.7	11.2	9	52207-1085	10
13.7	10.2	8	52207-0985	9
12.7	9.2	7	52207-0885	8
11.7	8.2	6	52207-0785	7
10.7	7.2	5	52207-0685	6
9.7	6.2	4	52207-0585	5
8.7	5.2	3	52207-0485	4
7.7	4.2	2	52207-0385	3
C	B	A	EMBOSSED PACKAGE	極数
			オーダー番号 ORDER NO.	CIRCUITS
CONNECTOR SERIES NO. 52207-***19				
SCALE	DESIGN UNITS	THIRD ANGLE PROJECTION		
---	METRIC			



REVISED IEC NO. J2011-0195 D DRW:MSANIMA 2010/07/26 CHIKDKAKASHI 2010/07/27 APPR:KORIKAWA 2010/07/28 REV DESCRIPTION	GENERAL TOLERANCES (UNLESS SPECIFIED)		DIMENSION STYLE		TITLE 1.0 PITCH FPC CONN. ZIF SMT -LEAD FREE- MOLEX INCORPORATED DOCUMENT NO. SD-52207-060 SHEET NO. 1 OF 2
	10 UNDER ±0.2		MM ONLY		
	10 OVER 30 UNDER ±0.25		DRAWN BY MNINOMIY DATE '04/02/06		
	30 OVER ±0.3		CHECKED BY KTOJO DATE '04/02/06		
ANGULAR ±3°		APPROVED BY MSASAO DATE '04/02/06		MATERIAL NO.	
DRAFT WHERE APPLICABLE MUST REMAIN WITHIN DIMENSIONS		SEE TABLE		SIZE A3	
THIS DRAWING CONTAINS INFORMATION THAT IS PROPRIETARY TO MOLEX INCORPORATED AND SHOULD NOT BE USED WITHOUT WRITTEN PERMISSION					

10 9 8 7 6 5 4 3 2 1



**注記 NOTES**

- △ 接点部までの嵌合長さ。  
LENGTH TO CONTACT POINT.
- 2. 使用材料 MATERIAL
  - ハウジング : 46ナイロン (耐熱性) , UL94V-0
  - ハウジング : 46NYLON, UL94V-0
  - アクチュエータ : PPS, UL94V-0
  - アクチュエータ : PPS, UL94V-0
  - ターミナル : 黄銅 BRONZE
  - ターミナル : PHOSPHOR BRONZE
  - 端子 : 銅・ビスマスマッキ 1.0マイクロメートル以上
  - 端子 : TIN BISMUTH 1.0 MICROMETER MINIMUM
  - 端子 : ニッケル下地 1.0マイクロメートル以上
  - 端子 : NICKEL UNDER PLATING 1.0 MICROMETER MINIMUM
  - 銅合金
  - 金具 : COPPER ALLOY
  - 金具 : 銅メッキ 1.0マイクロメートル以上
  - 金具 : TIN 1.0 MICROMETER MINIMUM
  - 金具 : ニッケル下地 1.0マイクロメートル以上
  - 金具 : NICKEL UNDER PLATING 1.0 MICROMETER MINIMUM
- △ パターンはくり止め用金具  
FITTING NAIL FOR PREVENTION OF PEELING OF P.C.B. PATTERN.
- 4. エンボスステップ梱包時は、アクチュエータがロックした状態とする。  
IN THE PACKAGE, ACTUATOR OF PART NO. 52207-0019 SHOULD BE LOCKED.
- △ ケーブル挿入深さ  
INSERTION DEPTH OF CABLE.
- △ パターン書き込み禁止エリア  
NO FOOT PRINT AREA.
- 7. 本製品は 52207-0017 の鉛フリー品である。  
THIS PRODUCT IS LEAD FREE OF 52207-0017.
- B. ELV及びRoHS適合品  
ELV AND RoHS COMPLIANT

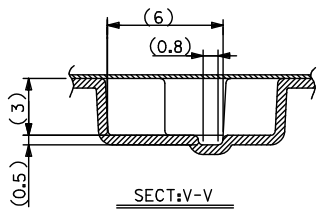
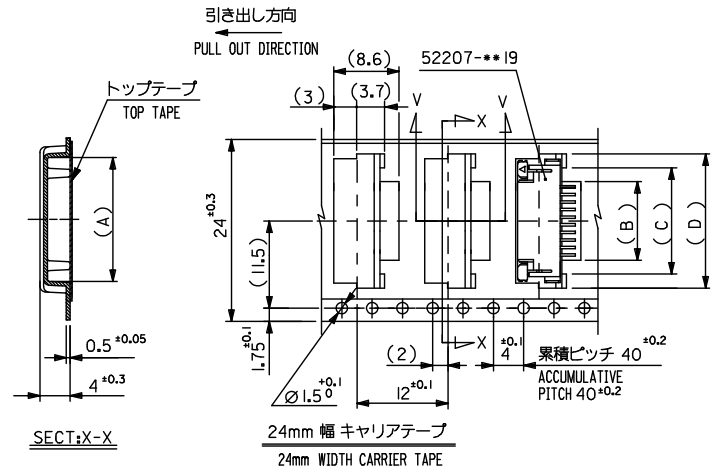
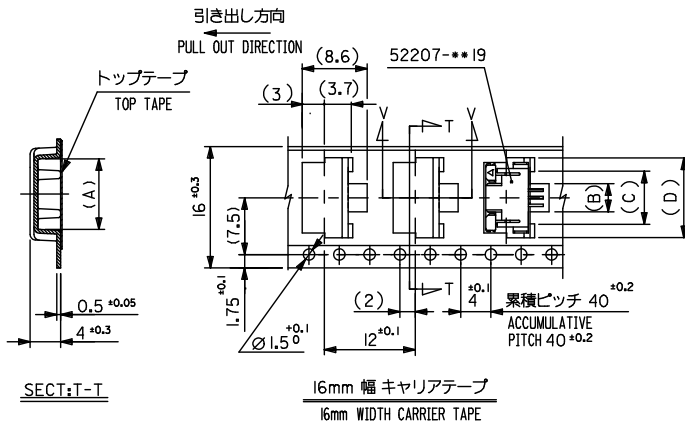
**FPCについて:**

打抜き方向は導体側から補強板を推奨致します。  
補強フィルム材質はポリイミドを推奨致します。  
接着剤は熱硬化接着剤を推奨致します。

ABOUT FPC:  
RECOMMENDED PUNCHER DIRECTION : FROM CONDUCTOR SIDE TO STIFFENER BOARD SIDE.  
RECOMMENDED MATERIAL : STIFFENER FILM : POLYIMIDE  
BONDING AGENT : THERMOSETTING BONDING AGENT

SEE SHEET 1 EC NO. J2011-0195 DRAWN BY SANIMA 2010/07/26 CHKD BY TAKAHASHI 2010/07/27 APPR. BY MORIKAWA 2010/07/28 REV. DESCRIPTION	GENERAL TOLERANCES (UNLESS SPECIFIED)		DIMENSION STYLE MM ONLY	SCALE ---	DESIGN UNITS METRIC	THIRD ANGLE PROJECTION
	10 UNDER	± 0.2	DRAWN BY DATE MNINOMIY '04/02/06	TITLE 1.0 PITCH FPC CONN ZIF SMT -LEAD FREE-		
	10 OVER 30 UNDER	± 0.25	CHECKED BY DATE KTOJO '04/02/06	MOLEX INCORPORATED		
	30 OVER	± 0.3	APPROVED BY DATE MSASAO '04/02/06	DOCUMENT NO. SD-52207-060		
ANGULAR ± 3 °		MATERIAL NO.		SHEET NO.		
DRAFT WHERE APPLICABLE WITHIN DIMENSIONS		SEE SHEET 1 OF 2		2 OF 2		
THIS DRAWING CONTAINS INFORMATION THAT IS PROPRIETARY TO MOLEX INCORPORATED AND SHOULD NOT BE USED WITHOUT WRITTEN PERMISSION						

10 9 8 7 6 5 4 3 2 1

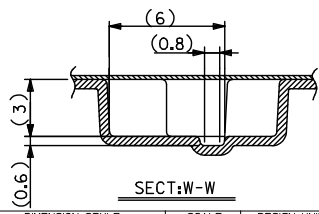
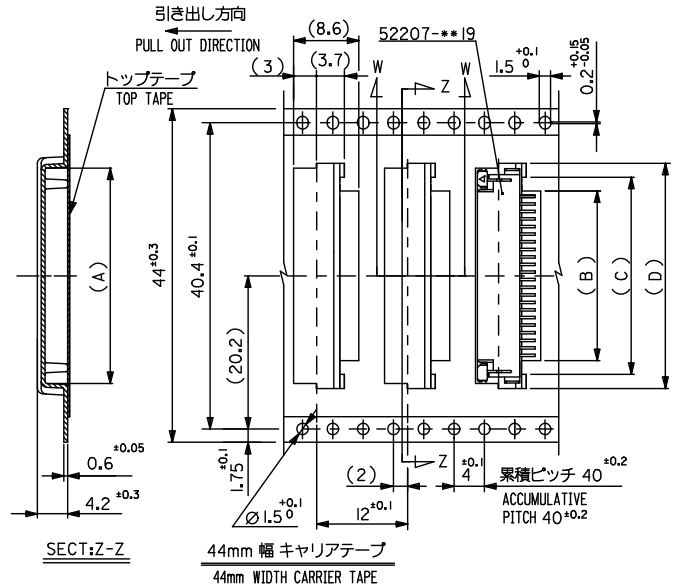
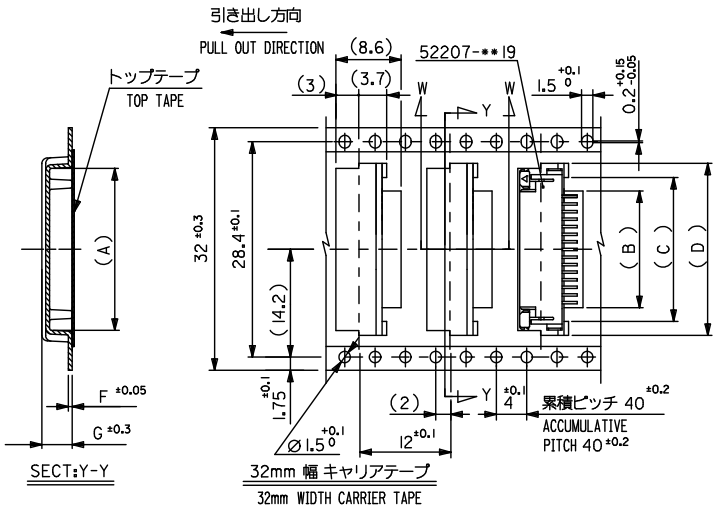


24	29.4	25.4	18.5	15	11.7	17.3	52207-1185	11
			17.5	14	10.7	16.3	4 -1085	10
			16.5	13	9.7	15.3	-0985	9
			15.5	12	8.7	14.3	-0885	8
			14.5	11	7.7	13.3	-0785	7
			13.5	10	6.7	12.3	-0685	6
			12.5	9	5.7	11.3	-0585	5
			11.5	8	4.7	10.3	-0485	4

52207-***85	16	21.4	17.4	10.5	7	3.7	9.3	52207-0385	3
MODEL NO.	キャリアテープ幅 CARRIER TAPE WIDTH	H	E	(D)	(C)	(B)	(A)	MATERIAL NO.	種数 CKT.

REVISED IEC NO. J2009-2061 DRAWN BY CHIKO MATSUMOTO CHECKED BY CHIKO MATSUMOTO APPROVED BY CHIKO MATSUMOTO DATE 2009/05/20 DATE 2009/05/21 DATE 2009/05/21	GENERAL TOLERANCES (UNLESS SPECIFIED)		DIMENSION STYLE MM ONLY		SCALE ---	DESIGN UNITS METRIC	THIRD ANGLE PROJECTION
	10 UNDER	±0.2	DRAWN BY	DATE	TITLE		
	10 OVER 30 UNDER	±0.25	M. NINOMIYA	2004/02/06	EMBOSSD TAPE PACKAGE FOR 52207-***19 -LEAD FREE-		
	30 OVER	±0.3	CHECKED BY	DATE	MOLEX INCORPORATED		
	ANGULAR	±3	K. TOJO	2004/02/06	MATERIAL NO. DOCUMENT NO. SD-52207-061 SHEET NO. 1 OF 3		
DRAFT WHERE APPLICABLE MUST REMAIN WITHIN DIMENSIONS		SEE TABLE		THIS DRAWING CONTAINS INFORMATION THAT IS PROPRIETARY TO MOLEX INCORPORATED AND SHOULD NOT BE USED WITHOUT WRITTEN PERMISSION			

10 9 8 7 6 5 4 3 2 1

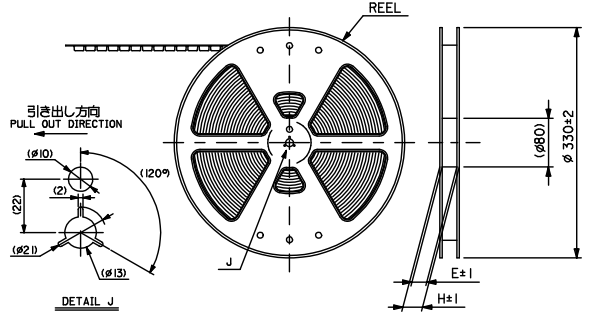


32	37.4	33.4	4.0	0.5	23.5	20	16.7	22.35	52207-1685	16
			4.2	0.6	22.5	19	15.7	21.35	4 -1585	15
			4.2	0.6	21.5	18	14.7	20.35	-1485	14
			4.2	0.6	20.5	17	13.7	19.35	7 -1385	13
			4.2	0.6	19.5	16	12.7	18.35	52207-1285	12
キャリアテープ幅 CARRIER TAPE WIDTH	H	E	(G)	(F)	(D)	(C)	(B)	(A)	MATERIAL NO.	極致 CKT.

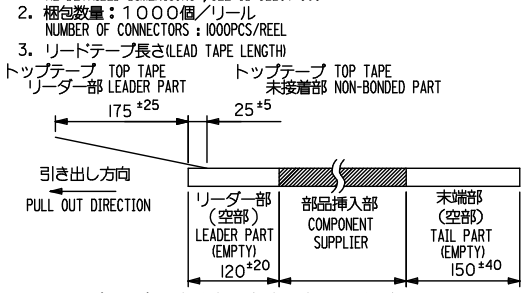
44	49.4	45.4	34.5	31	27.7	33.35	52207-2785	27
			33.5	30	26.7	32.35	4 -2685	26
			32.5	29	25.7	31.35	-2585	25
			31.5	28	24.7	30.35	-2485	24
			30.5	27	23.7	29.35	-2385	23
			29.5	26	22.7	28.35	-2285	22
			28.5	25	21.7	27.35	-2185	21
			27.5	24	20.7	26.35	-2085	20
			26.5	23	19.7	25.35	-1985	19
			25.5	22	18.7	24.35	7 -1885	18
24.5	21	17.7	23.35	52207-1785	17			
キャリアテープ幅 CARRIER TAPE WIDTH	H	E	(D)	(C)	(B)	(A)	MATERIAL NO.	極致 CKT.

REVISED EC NO. J2009-2061 DRAWN: KON CHIKO-HAMATSUMOTO APPROVAL: ITO REV. DESCRIPTION 2009/05/20 2009/05/21 2009/05/21	GENERAL TOLERANCES (UNLESS SPECIFIED)		DIMENSION STYLE MM ONLY	SCALE ---	DESIGN UNITS METRIC	THIRD ANGLE PROJECTION
	10 UNDER	±0.2	DRAWN BY M. NINOMIYA	DATE 2004/02/06	TITLE EMBOSSD TAPE PACKAGE FOR 52207-***19 -LEAD FREE-	
	10 OVER 30 UNDER	±0.25	CHECKED BY K. TOJO	DATE 2004/02/06	APPROVED BY M. SASAO	
	30 OVER	±0.3	APPROVED BY M. SASAO	DATE 2004/02/06	MATERIAL NO. SD-52207-061	
ANGULAR	±3	DRAFT WHERE APPLICABLE MUST REMAIN WITHIN DIMENSIONS		SEE TABLE	DOCUMENT NO.	SHEET NO. 2 OF 3
THIS DRAWING CONTAINS INFORMATION THAT IS PROPRIETARY TO MOLEX INCORPORATED AND SHOULD NOT BE USED WITHOUT WRITTEN PERMISSION						

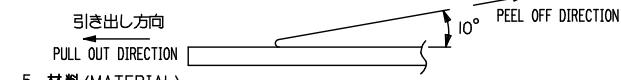
10 9 8 7 6 5 4 3 2 1



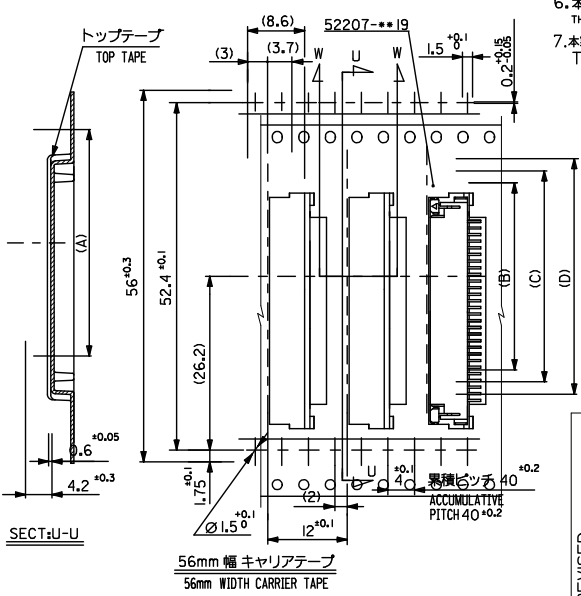
- 注記**
- 製品番号 52207-\*\*-19 の梱包状態はアクチュエータがロックした状態とする。  
詳細寸法については図面 SD-52207-060 を参照下さい。  
IN THE PACKAGE, ACTUATOR OF PART NO. 52207-\*\*-19 SHOULD BE LOCKED  
RE DETAILED DIMENSIONS, SEE SD-52207-060
  - 梱包数量: 1000個/リール  
NUMBER OF CONNECTORS: 1000PCS/REEL
  - リードテープ長さ(LEAD TAPE LENGTH)



- トップテープの剥離強度: (剥離方向は下図参照)  
0.1N ~ 1.3N(10gf ~ 130gf)MAX.尚、本規格値は、出荷時に適用。  
(但し、輸送時に剥離が発生しない事。)  
PEELING OFF FORCE OF TOP TAPE 0.1N ~ 1.3N(10gf ~ 130gf) MAX.  
(PEELING DIRECTION AS SHOWN IN FOLLOWING FIG.)  
THIS REQUIREMENT SHOULD BE APPLIED AT SHIPMENT.(PEEL OFF SHOULD NOT BE ALLOWED, DURING TRANSPORTATION)



- 材料 (MATERIAL)  
キャリアテープ (CARRIER TAPE): ポリプロピレン (POLYPROPYLENE)  
トップテープ (TOP TAPE): PET, PE, PEF  
リール (REEL): ポリスチレン (PS) <リサイクル材を含む>  
POLYSTYRENE (PS) <RECYCLE MATERIAL CONTAINED>



- 本製品は 52207-\*\*-90 の鉛フリー品である。  
THIS PRODUCT IS LEAD FREE OF 52207-\*\*-90.
- 本製品は乾燥剤入り、ハイバリア梱包仕様である。  
THIS PRODUCT IS HIGH BARRIER PACKAGE WITH DESICCANT.

52207-**-85	MODEL NO.	キャリアテープ幅 CARRIER TAPE WIDTH	H	E	(D)	(C)	(B)	(A)	MATERIAL NO.	種数 CKT.
		56	61.4	57.4	41.5	38	34.7	40.35	52207-3485	34
52207-**-85	MODEL NO.	キャリアテープ幅 CARRIER TAPE WIDTH	H	E	(D)	(C)	(B)	(A)	MATERIAL NO.	30
										29
										28

REVISED EC NO. J2009-2061 DRAWN: KON CHIKUHAMATSUMOTO APPROX: NIKITA REV	2009/05/20	2009/05/21	2009/05/21	2009/05/21	2009/05/21	2009/05/21	2009/05/21	2009/05/21	2009/05/21	2009/05/21	
	GENERAL TOLERANCES (UNLESS SPECIFIED)			DIMENSION STYLE			SCALE		DESIGN UNITS		THIRD ANGLE PROJECTION
	10 UNDER ±0.2			MM ONLY			---		METRIC		
	10 OVER 30 UNDER ±0.25			DRAWN BY DATE			M. NINOMIYA 2004/02/06		TITLE		EMBOSSED TAPE PACKAGE FOR 52207-**-19 -LEAD FREE-
30 OVER ±0.3			CHECKED BY DATE			K. TOJO 2004/02/06		APPROVED BY DATE		M. SASAO 2004/02/06	
ANGULAR ±0.3			APPROVED BY DATE			M. SASAO 2004/02/06		MATERIAL NO.		MOLEX INCORPORATED	
DRAFT WHERE APPLICABLE WITHIN DIMENSIONS			SEE TABLE			DOCUMENT NO.		SD-52207-061		SHEET NO. 3 OF 3	
THIS DRAWING CONTAINS INFORMATION THAT IS PROPRIETARY TO MOLEX INCORPORATED AND SHOULD NOT BE USED WITHOUT WRITTEN PERMISSION											