

Excellent Integrated System Limited

Stocking Distributor

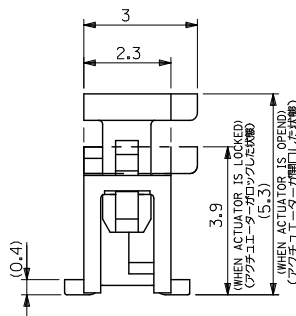
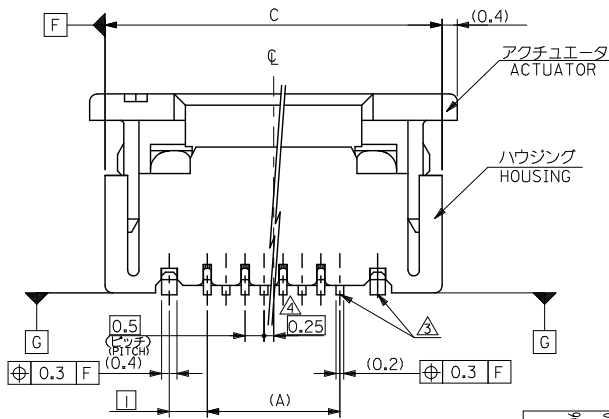
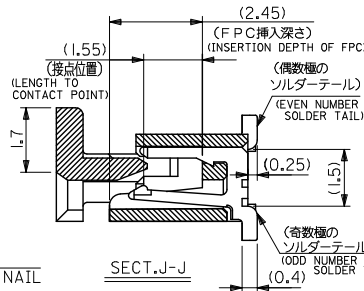
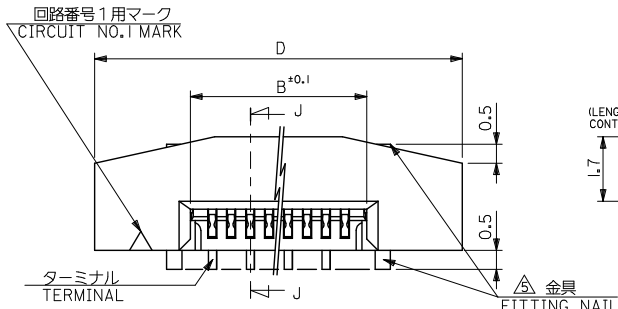
Click to view price, real time Inventory, Delivery & Lifecycle Information:

[Molex Connector Corporation](#)
[0525591653](#)

For any questions, you can email us directly:

sales@integrated-circuit.com

10 9 8 7 6 5 4 3 2 1



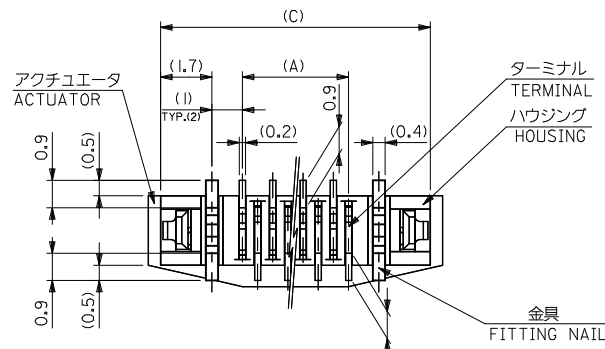
注記 NOTES

- 使用材料: MATERIAL
 - ハウジング HOUSING : 46NYLON UL94V-0
 - アクチュエータ ACTUATOR : PPS UL94V-0
 - ターミナル TERMINAL :
 - リン青銅 (t=0, 2) PHOS-BRO
 - 接点部 金メッキ 0.1マイクromメートル以上 CONTACT GOLD 0.1 MICROMETER MINIMUM
 - 手田付け部 鍍メッキ 1.0マイクromメートル以上 TAIL TIN 1.0 MICROMETER MINIMUM
 - ニッケル下地 1.0マイクromメートル以上 NICKEL (UNDER PLATING) 1.0 MICROMETER MINIMUM
 - リン青銅 (t=0, 4)
 - 金具 FITTING NAIL :
 - 鍍メッキ 1.0マイクromメートル以上 TIN 1.0 MICROMETER MINIMUM
 - ニッケル下地 1.0マイクromメートル以上 NICKEL (UNDER PLATING) 1.0 MICROMETER MINIMUM
- エンボステープ極部は、アクチュエータがロックした状態とする。
IN THE PACKAGE, ACTUATOR OF PART NO. 52559-**79 SHOULD BE LOCKED.
- ソルダータール半田付け面のズレ量、及び金具半田付け面のズレ量は、基準面 G に対し上下 0.05 MAX., 下方向 0.15 MAX. とする。
MISALIGNMENT OF SOLDER TAILS AND FITTING NAILS FROM UPPER DIRECTION: 0.05 MAX., LOWER DIRECTION: 0.15 MAX.
- 偶数極に適用。
APPLY FOR EVEN CIRCUIT.
- パターンはくしり止め用金具。
FITTING NAIL FOR PREVENTION OF PEELING OF P.C.B. PATTERN.
- RO, 3は、FPCの導体部にカからないこと。
RO.3 MUST NOT BE OVERLAPPED TO PATTERN OF FPC.

GENERAL TOLERANCES (UNLESS SPECIFIED)			DIMENSION STYLE		SCALE	DESIGN UNITS	THIRD ANGLE PROJECTION	
0.25 UNDER	UNDER	±0.03	MM ONLY		---	METRIC		
0.25 OVER	0.5 UNDER	±0.05	DRAWN BY	DATE	TITLE			
0.5 OVER	1.0 UNDER	±0.1	MINABE I	'04/07/13	0.5 FPC CONN ASSY ZIF.			
1.0 OVER	10 UNDER	±0.2	CHECKED BY	DATE	-LEAD FREE-			
10 OVER	30 UNDER	±0.25	KTOJO	'04/07/13	molex			
30 OVER		±0.3	APPROVED BY	DATE	DOCUMENT NO.			
ANGULAR ±3°			NUKITA	'04/07/13	SD-52559-048			
DRAFT WHERE APPLICABLE MUST REMAIN WITHIN DIMENSIONS			MATERIAL NO.		SEE SHEET 2		SHEET NO.	
			SIZE A3		1 OF 2			
			THIS DRAWING CONTAINS INFORMATION THAT IS PROPRIETARY TO MOLEX INCORPORATED AND SHOULD NOT BE USED WITHOUT WRITTEN PERMISSION					

9 8 7 6 5 4 3 2 1

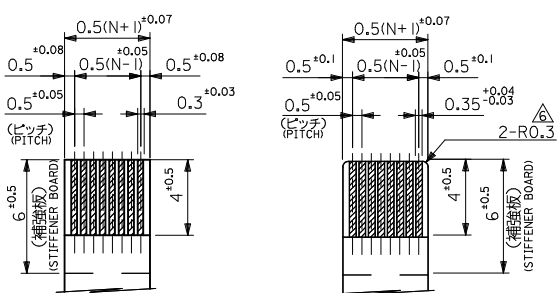
10 9 8 7 6 5 4 3 2 1



FPCについて：
打抜き方向は導体側から補強板側を推奨致します。
補強フィルム材質はポリイミドを推奨致します。
接着剤は熱硬化接着剤を推奨致します。

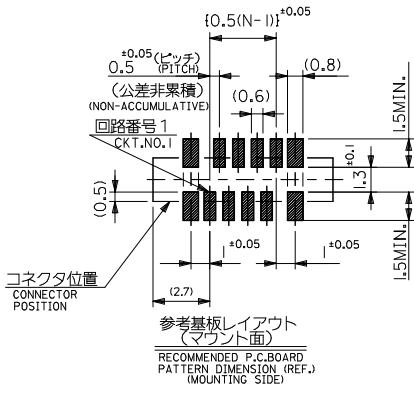
ABOUT FPC :
RECOMMENDED PUNCHER DIRECTION : FROM CONDUCTOR SIDE TO STIFFENER BOARD SIDE.
RECOMMENDED MATERIAL :
STIFFENER FILM : POLYIMIDE
BONDING AGENT : THERMOSETTING BONDING AGENT

下面図
BOTTOM VIEW



適合FFC推奨寸法
APPLICABLE FFC
RECOMMENDED DIMENSION.
(仕上がり厚さ: 0.3^{+0.05})
(THICKNESS: 0.3^{+0.05})

適合FPC推奨寸法
APPLICABLE FPC
RECOMMENDED DIMENSION.
(仕上がり厚さ: 0.3^{+0.05})
(THICKNESS: 0.3^{+0.05})



コネクタ位置
CONNECTOR POSITION

25.7	24.9	20.65	19.5	52559-4079	40
23.7	22.9	18.65	17.5		-3679 36
22.2	21.4	17.15	16.0		-3379 33
21.7	20.9	16.65	15.5		-3279 32
20.7	19.9	15.65	14.5		-3079 30
19.7	18.9	14.65	13.5		-2879 28
19.2	18.4	14.15	13.0		-2779 27
18.7	17.9	13.65	12.5		-2679 26
18.2	17.4	13.15	12.0		-2579 25
17.7	16.9	12.65	11.5		-2479 24
17.2	16.4	12.15	11.0		-2379 23
16.7	15.9	11.65	10.5		-2279 22
16.2	15.4	11.15	10.0		-2179 21
15.7	14.9	10.65	9.5		-2079 20
14.7	13.9	9.65	8.5		-1879 18
14.2	13.4	9.15	8.0		-1779 17
13.7	12.9	8.65	7.5		-1679 16
13.2	12.4	8.15	7.0		-1579 15
12.7	11.9	7.65	6.5		-1479 14
12.2	11.4	7.15	6.0		-1379 13
11.7	10.9	6.65	5.5		-1279 12
10.7	9.9	5.65	4.5		-1079 10
10.2	9.4	5.15	4.0		-0979 9
9.7	8.9	4.65	3.5		-0879 8
8.7	7.9	3.65	2.5	52559-0679	6
D	C	B	(A)	CONNECTOR SERIES No.	極数 CKT.

ORDER No. : 52559-**52/-**53/-**54/-**56

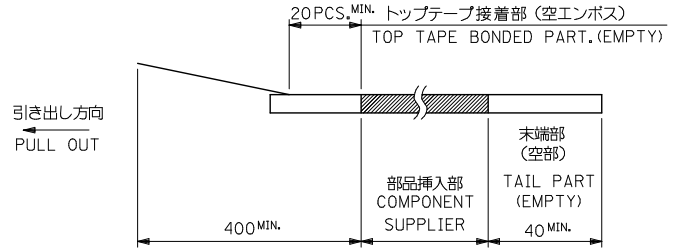
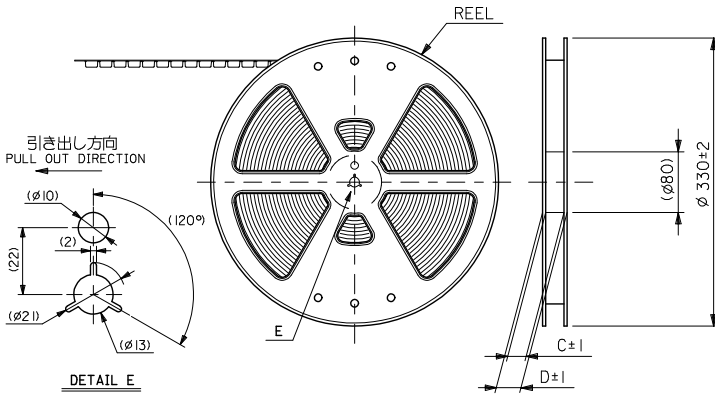
REVISED IEC NO. J2016-0020 DRAWN: UHASEGAWA 2015/07/06 CHIKO APPR: YNOGAWA 2015/07/10	GENERAL TOLERANCES (UNLESS SPECIFIED)		DIMENSION STYLE MM ONLY		SCALE ---	DESIGN UNITS METRIC	THIRD ANGLE PROJECTION
	0.25 UNDER	UNDER	±0.03	DRAWN BY MNABE I	DATE '04/07/13	TITLE 0.5 FPC CONN ASSY ZIF.	
	0.25 OVER	0.5 UNDER	±0.05	CHECKED BY KTOJO	DATE '04/07/13	-LEAD FREE-	
	0.5 OVER	1.0 UNDER	±0.1	APPROVED BY NUKITA	DATE '04/07/13	molex	
	1.0 OVER	30 UNDER	±0.2	MATERIAL NO.	DOCUMENT NO.	SHEET NO. 2 OF 2	
30 OVER		±0.3	SEE CHART		SD-52559-048		
ANGULAR ±3 °			THIS DRAWING CONTAINS INFORMATION THAT IS PROPRIETARY TO MOLEX INCORPORATED AND SHOULD NOT BE USED WITHOUT WRITTEN PERMISSION				
DRAFT WHERE APPLICABLE MUST REMAIN WITHIN DIMENSIONS							

9 8 7 6 5 4 3 2 1

10 9 8 7 6 5 4 3 2 1

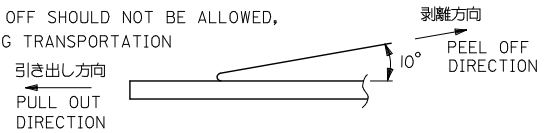
注記 NOTES

- 製品番号 52559-**79 の梱包状態はアクチュエータがロックした状態とする。
詳細寸法については図面 SD-52559-048 を参照下さい。
IN THE PACKAGE, ACTUATOR OF PART NO. 52559-**79 SHOULD BE LOCKED RE DETAILED DIMENSIONS, SEE SD-52559-048
- 梱包数量: 1000個/リール
NUMBER OF CONNECTORS: 1000PCS/REEL
- リードテープ長さ LEAD TAPE LENGTH



- トップテープの剥離強度: (剥離方向は下図参照)
0.1N~1.3N {10gf~130gf} 尚、本規格値は、出荷時に適用。
(但し、輸送時に剥離が発生しない事。)

PEEL OFF FORCE OF TOP TAPE
0.1N~1.3N{10gf~130gf}(PEELING DIRECTION AS SHOWN IN FOLLOWING FIG.)
THIS REQUIREMENT SHOULD BE APPLIED AT SHIPMENT
PEEL OFF SHOULD NOT BE ALLOWED,
DURING TRANSPORTATION



- 材料
キャリアテープ: ポリプロピレン (PP)
トップテープ: PET, PE, PEF
リール: ポリスチレン (PS) <リサイクル材を含む>

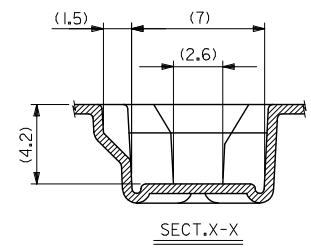
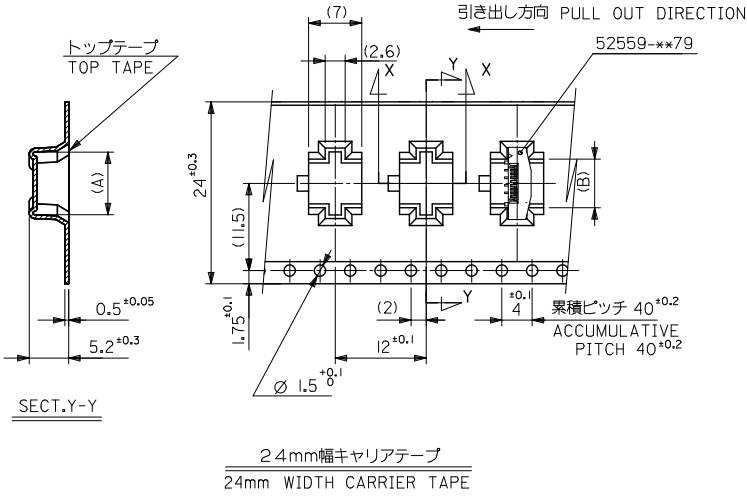
MATERIAL CARRIER TAPE: POLYPROPYLENE
TOP TAPE: PET, PE, PEF
REEL: POLYSTYRENE (PS)
<RECYCLE MATERIAL CONTAINED>

- 本製品は 52559-**52 のエンボステープ違い品である。
THIS PRODUCT IS EMBOSSED TAPE DIFFERENCE ARTICLE
OF 52559-**52.

GENERAL TOLERANCES (UNLESS SPECIFIED)			DIMENSION STYLE MM ONLY		SCALE ---	DESIGN UNITS METRIC	THIRD ANGLE PROJECTION
0.25 UNDER	UNDER	±0.03	DRAWN BY	DATE	0.5 FPC CONN ASSY ZIF FOR SMT EMBSTP PKG -LEAD FREE- molex DOCUMENT NO. SD-52559-050 SHEET NO. 1 OF 3		
0.25 OVER	0.5 UNDER	±0.05	MNABE I	'05/04/27			
0.5 OVER	1.0 UNDER	±0.1	CHECKED BY	DATE			
1.0 OVER	10 UNDER	±0.2	KTOJO	'05/04/27			
10 OVER	30 UNDER	±0.25	APPROVED BY	DATE			
30 OVER		±0.3	NUKITA	'05/04/27	MATERIAL NO.		
ANGULAR	±3 °		SEE CHART				
DRAFT WHERE APPLICABLE MUST REMAIN WITHIN DIMENSIONS			SIZE	THIS DRAWING CONTAINS INFORMATION THAT IS PROPRIETARY TO MOLEX INCORPORATED AND SHOULD NOT BE USED WITHOUT WRITTEN PERMISSION			

9 8 7 6 5 4 3 2 1

10 9 8 7 6 5 4 3 2 1



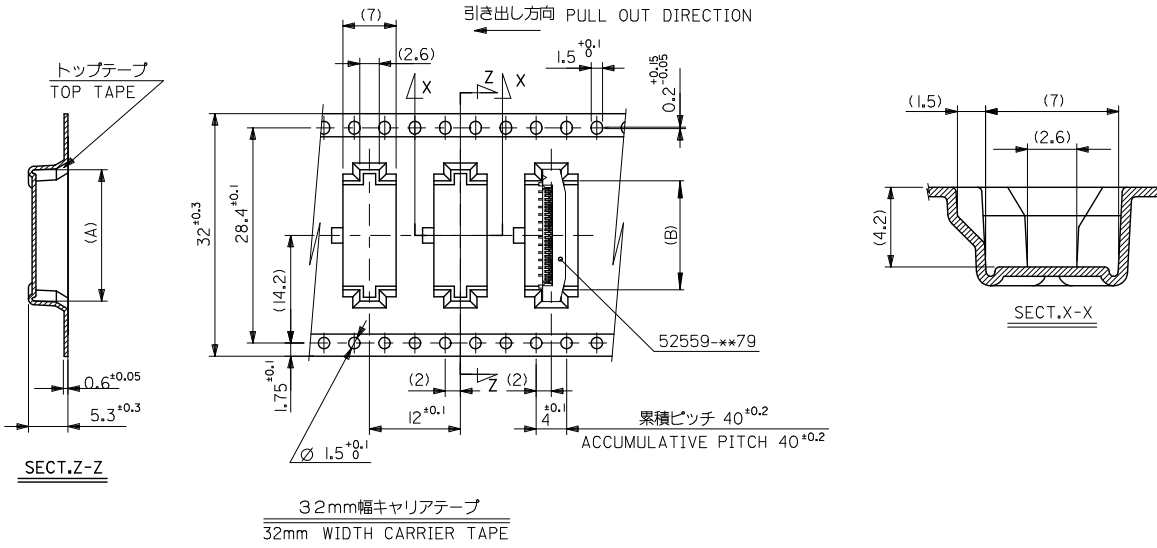
24mm幅キャリアテープ
24mm WIDTH CARRIER TAPE

24	29.4	25.4	13.4	16.3	52559-2253	22
			11.4	14.3	52559-1853	18
			10.4	13.3	52559-1653	16
			8.9	11.8	52559-1353	13
			6.4	9.3	52559-0853	8

REVISED IEC NO. J2016-0020 DRAWN: YUHASSEGAWA 2015/07/06 CHKD: APPR: YNOGAWA 2015/07/10 DESCRIPTION	GENERAL TOLERANCES (UNLESS SPECIFIED)			DIMENSION STYLE		SCALE	DESIGN UNITS	THIRD ANGLE PROJECTION
	0.25 UNDER	UNDER	±0.03	MM ONLY		---	METRIC	☉
	0.25 OVER	0.5 UNDER	±0.05	DRAWN BY		DATE	TITLE	
	0.5 OVER	1.0 UNDER	±0.1	MNABEI		'05/04/27	0.5 FPC CONN ASSY ZIF FOR SMT EMBSTP PKG -LEAD FREE-	
	1.0 OVER	10 UNDER	±0.2	CHECKED BY		DATE	molex DOCUMENT NO. SD-52559-050 SHEET NO. 2 OF 3	
	30 OVER	30 UNDER	±0.25	KTOJO		'05/04/27		
ANGULAR	±3 °	±0.3	APPROVED BY		DATE			
DRAFT WHERE APPLICABLE MUST REMAIN WITHIN DIMENSIONS			NUKITA		'05/04/27			
			MATERIAL NO.					
			SEE CHART					

9 8 7 6 5 4 3 2 1

10 9 8 7 6 5 4 3 2 1



32	37.4	33.4	18.9	21.8	52559-3353	33
キャリアテープ幅 CARRIER TAPE WIDTH	D	C	(B)	(A)	MATERIAL NO.	CIRCUIT NO.
					52559-2553	25

REVISED EC NO: J2016-0020 DRAWN: YUHASSEGAWA 2015/07/06 CHKD: YUHASSEGAWA 2015/07/06 APPR: YUHASSEGAWA 2015/07/10 DESCRIPTION	GENERAL TOLERANCES (UNLESS SPECIFIED)		DIMENSION STYLE		SCALE	DESIGN UNITS	THIRD ANGLE PROJECTION
	0.25 UNDER	UNDER	±0.03	MM ONLY	---	METRIC	
	0.25 OVER	0.5 UNDER	±0.05	DRAWN BY	DATE	TITLE	
	0.5 OVER	1.0 UNDER	±0.1	MNABEI	'05/04/27	0.5 FPC CONN ASSY ZIF FOR SMT EMBSTP PKG -LEAD FREE-	
	1.0 OVER	10 UNDER	±0.2	CHECKED BY	DATE	molex	
3.0 OVER	30 UNDER	±0.25	KTOJO	'05/04/27	DOCUMENT NO.		
30 OVER		±0.3	APPROVED BY	DATE	SD-52559-050		
ANGULAR	±3 °		NUKITA	'05/04/27	SHEET NO.		
DRAFT WHERE APPLICABLE MUST REMAIN WITHIN DIMENSIONS			SEE CHART		3 OF 3		
			MATERIAL NO.		THIS DRAWING CONTAINS INFORMATION THAT IS PROPRIETARY TO MOLEX INCORPORATED AND SHOULD NOT BE USED WITHOUT WRITTEN PERMISSION		

9 8 7 6 5 4 3 2 1