

Excellent Integrated System Limited

Stocking Distributor

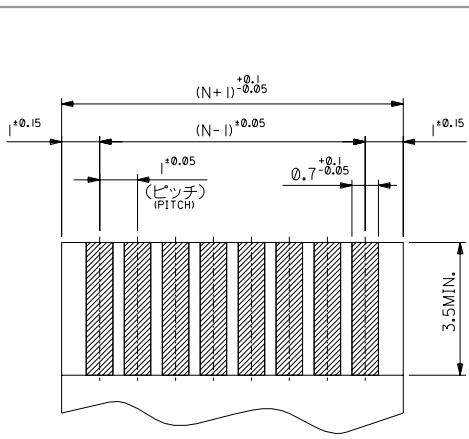
Click to view price, real time Inventory, Delivery & Lifecycle Information:

[Molex Connector Corporation](#)
[0527930770](#)

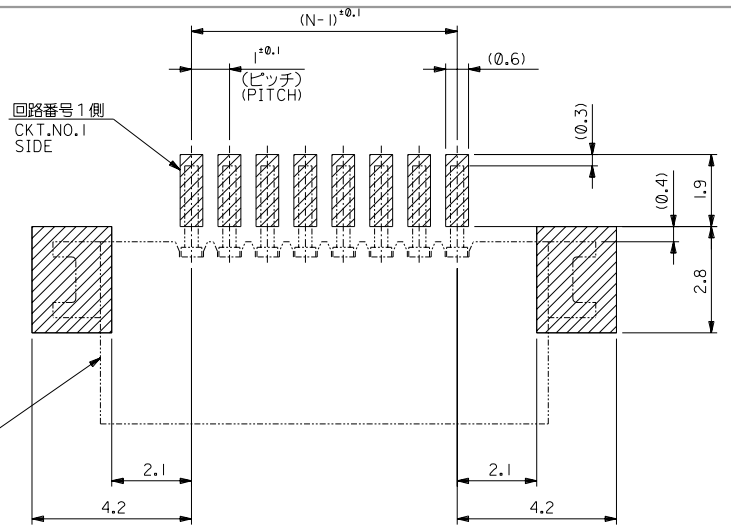
For any questions, you can email us directly:

sales@integrated-circuit.com

DWG. NO. SD-52793-011



(仕上がり厚さ) 0.3^{+0.03}
THICKNESS
適用FPC推奨寸法
APPLICABLE FPC
RECOMMENDED DIMENSION.



参考基板レイアウト (マウント面)
RECOMMENDED P.C.BOARD
PATTERN DIMENSION (REF.)
(MOUNTING AREA)

注記 NOTES:

1. 使用材料 MATERIAL
ハウジング: PPS, UL94V-0
ターミナル: リン青銅 (t=0.25)
メッキ: ニッケル下地純銅ピンスメッキ
金具: リン青銅 (t=0.25)
メッキ: ニッケル下地純銅メッキ
 - HOUSING : PPS, UL94V-0
TERMINAL : PHOSPHOR BRONZE
PLATING : Sn-BI OVER Ni
FITTING NAIL : PHOSPHOR BRONZE
PLATING : Sn OVER Ni
- △ 基準面 [E] からのソルダーテールとフィッティングネイルの半田付け面のズレ量は、
上方向に0.1MAX.、下方向0.15MAX.とする。
MISALIGNMENT OF SOLDER TAIL AND FITTING NAIL FROM [E]
: UPPER DIRECTION 0.1 MAX., LOWER DIRECTION 0.15 MAX.
- △ 偶数極に適用。
APPLY FOR EVEN CKT.

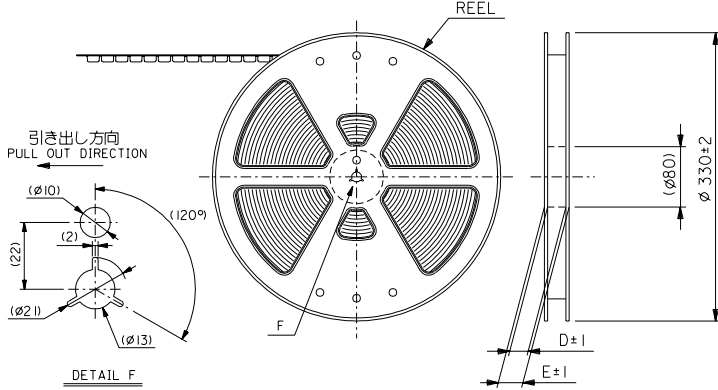
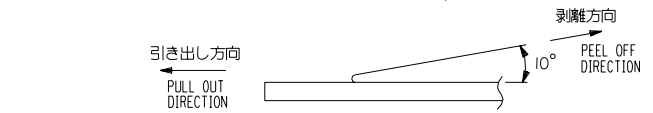
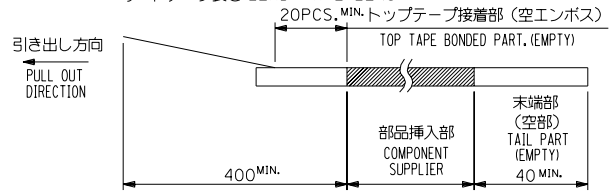
4. 本製品は 52793-**-10 の鉛フリー品である。
THIS PRODUCT IS LEAD FREE OF 52793-**-10

DO NOT SCALE DRAWING		EC NO. DRAWN: CH'K: APPR:		EC NO. DRAWN: CH'K: APPR:		EC NO. DRAWN: CH'K: APPR:		EC NO. DRAWN: CH'K: APPR:		SEE SHEET 1 OF 2	MATERIAL 材料 注記参照 SEE NOTES	GENERAL TOLERANCES: (UNLESS SPECIFIED) 一般公差	SCALE 10:1	DESIGN UNITS mm INCH	THIRD ANGLE PROJECTION	DIMENSIONS: mm INCH mm INCH mm ONLY	SHT 2	REV 19	
											FINISH 仕上り //	10 UNDER 未満 +0.2	DRAWN BY & DATE H.KAWABATA '03/12/09	TITLE: I.O FFC CONN. NON ZIF SMT R/A (UPPER CONTACT) -LEAD FREE-					
											WIRE RANGE 適用電線範囲 //	10 OVER 以上 30 UNDER 未満 +0.25	CHECKED BY & DATE K.TOJO '03/12/09	MOLEX INCORPORATED					
											INS. RANGE 被覆外径 //	30 OVER 以上 +0.3	APPROVED BY & DATE H. Saito '03/12/09	MATERIAL NO. 52793-**-19		DRAWING NO. SD-52793-011		SHEET NO. 2 OF 2	
											ANGLE 角度 +3°	CAD FILENAME SD-52793-01LS02		MATERIAL NO. 52793-**-19		DRAWING NO. SD-52793-011		SIZE B	
											THIS DRAWING CONTAINS INFORMATION THAT IS PROPRIETARY TO MOLEX INCORPORATED AND SHOULD NOT BE USED WITHOUT WRITTEN PERMISSION.								EN-02J(097) MXJ-54

DWG. NO. SD-52793-012

NOTES

- 製品詳細寸法については図面 SD-52793-011 を参照下さい。
RE DETAILED DIMENSION, SEE SD-52793-011.
- 梱包数量: 1000個/リール
NUMBER OF CONNECTORS : 1000PCS/REEL
- リードテープ長さ LEAD TAPE LENGTH
20PCS. MIN. トップテープ接着部 (空インボス)
TOP TAPE BONDED PART. (EMPTY)
- トップテープの剥離強度: 0.1-1.3 N(10-130gf) (剥離方向は下図参照) 尚、本規格値は出荷時に適用。(但し、輸送時に剥離が発生しないこと。)
PEELING OFF FORCE OF TOP TAPE : 0.1-1.3 N(10-130gf) (PEELING DIRECTION AS SHOWN IN FOLLOWING FIG.) THIS REQUIREMENT SHOULD BE APPLIED AT SHIPMENT. PEEL OFF SHOULD NOT BE ALLOWED , DURING TRANSPORTATION.
- 材料 (MATERIAL)
キャリアテープ (CARRIER TAPE): ポリプロピレン (POLYPROPYLENE)
トップテープ (TOP TAPE): PET, PE, PEF
リール (REEL): ポリスチレン (PS) <リサイクル材を含む>
POLYSTYRENE (PS) <RECYCLE MATERIAL CONTAINED>
- 本製品は 52793-***90 の鉛フリー品である。
THIS PRODUCT IS LEAD FREE OF 52793-***90



DO NOT SCALE DRAWING

EC NO. DRWN: CHK: APPR:		EC NO. DRWN: CHK: APPR:		EC NO. DRWN: CHK: APPR:		REVISED EC NO. J2004-2778 DRWN: SHIMABUKURO CHK: TOJO APPR: MASAO		RELEASED EC NO. J2004-1419 DRWN: MANAGATA CHK: K.TOJO APPR: MASAO		MATERIAL 材料 注記参照 SEE NOTES		GENERAL TOLERANCES: (UNLESS SPECIFIED) 一般公差		SCALE ---		DESIGN UNITS mm INCH		THIRD ANGLE PROJECTION		52793-***70 MODEL NO.		DIMENSIONS: mm INCH mm ONLY		SHT REV											
A		O		REV		INS. RANGE 挿入外径		WIRE RANGE 通用電線範囲		FINISH 仕上げ		10 UNDER 未満		10 OVER 以上		30 UNDER 未満		30 OVER 以上		DRAWN BY & DATE M.NAGATA '03/12/09		CHECKED BY & DATE K.TOJO '03/12/09		APPROVED BY & DATE M.SASAO '03/12/09		CAD FILENAME SD-52793-012.S01		MATERIAL NO. SEE CHART		DRAWING NO. SD-52793-012		SHEET NO. 1 OF 5		SIZE B	
8		7		6		5		4		3		2		1		EN-02JK097) MXJ-54																			

50-52793-012-01

DWG. NO. SD-52793-012

F

D

C

B

DO NOT SCALE DRAWING

8

7

6

5

4

3

2

1

F

E

D

C

B

DO NOT SCALE DRAWING

8

7

6

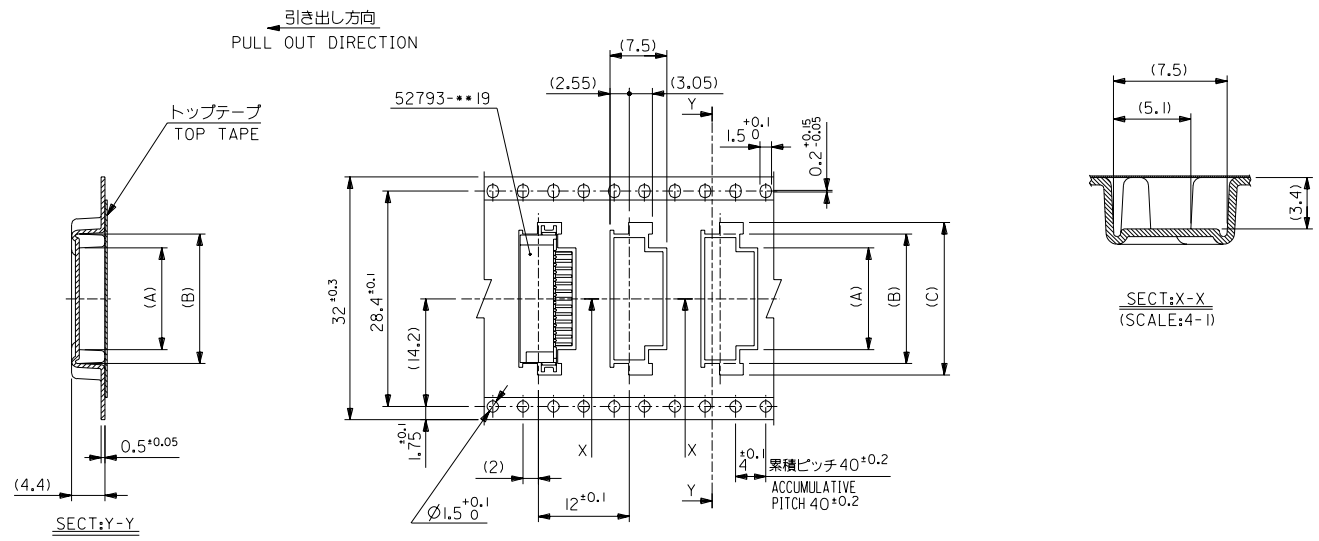
5

4

3

2

1



32mm幅キャリアテープ
32mm WIDTH CARRIER TAPE

SHEET 1 OF 5 参照
REFER TO SHEET 1 OF 5

REV.	DESCRIPTION

52793-70		MODEL NO.		DIMENSIONS:		SHT	REV
SCALE	DESIGN UNITS	THIRD ANGLE PROJECTION		<input type="checkbox"/> mm	<input type="checkbox"/> INCH	<input checked="" type="checkbox"/> mm ONLY	REVISE ON CAD ONLY
DRAWN BY & DATE M.NAGATA 03/12/09		TITLE: 1.0 FFC Conn Assy NON ZIF SMT RA Upper Contact Embstp Pkg -LEAD FREE-					
CHECKED BY & DATE K.TOJO 03/12/09		MOLEX INCORPORATED					
APPROVED BY & DATE M.SASAO 03/12/09							
CAD FILENAME SD-52793-012.S03		MATERIAL NO.	DRAWING NO.	SHEET NO.		SIZE	
THIS DRAWING CONTAINS INFORMATION THAT IS PROPRIETARY TO MOLEX INCORPORATED AND SHOULD NOT BE USED WITHOUT WRITTEN PERMISSION.		SEE CHART	SD-52793-012	3 OF 5		B	
EN-02J(097) MXJ-54							

DO NOT SCALE DRAWING

8

7

6

5

4

3

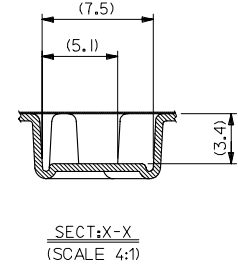
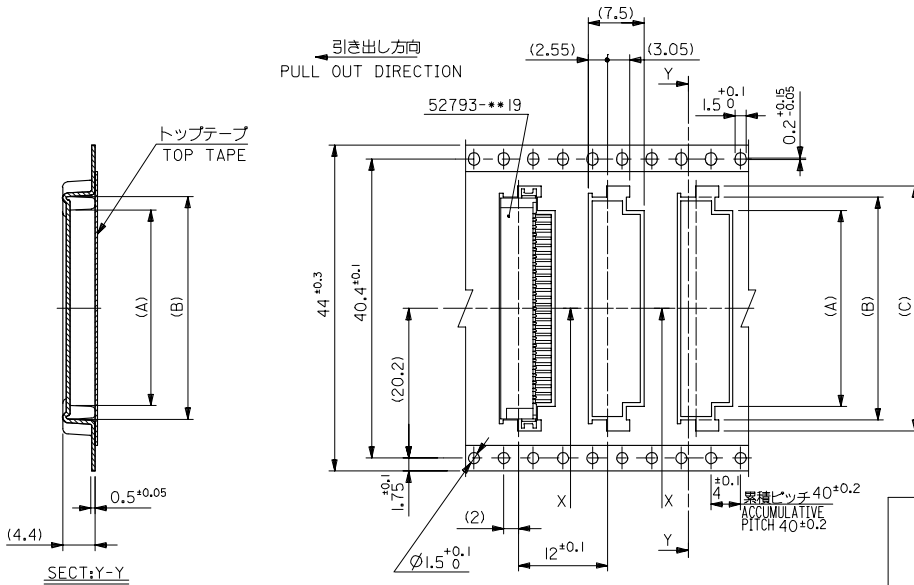
2

1

10 9 8 7 6 5 4 3 2 1

F
E
D
C
B
A

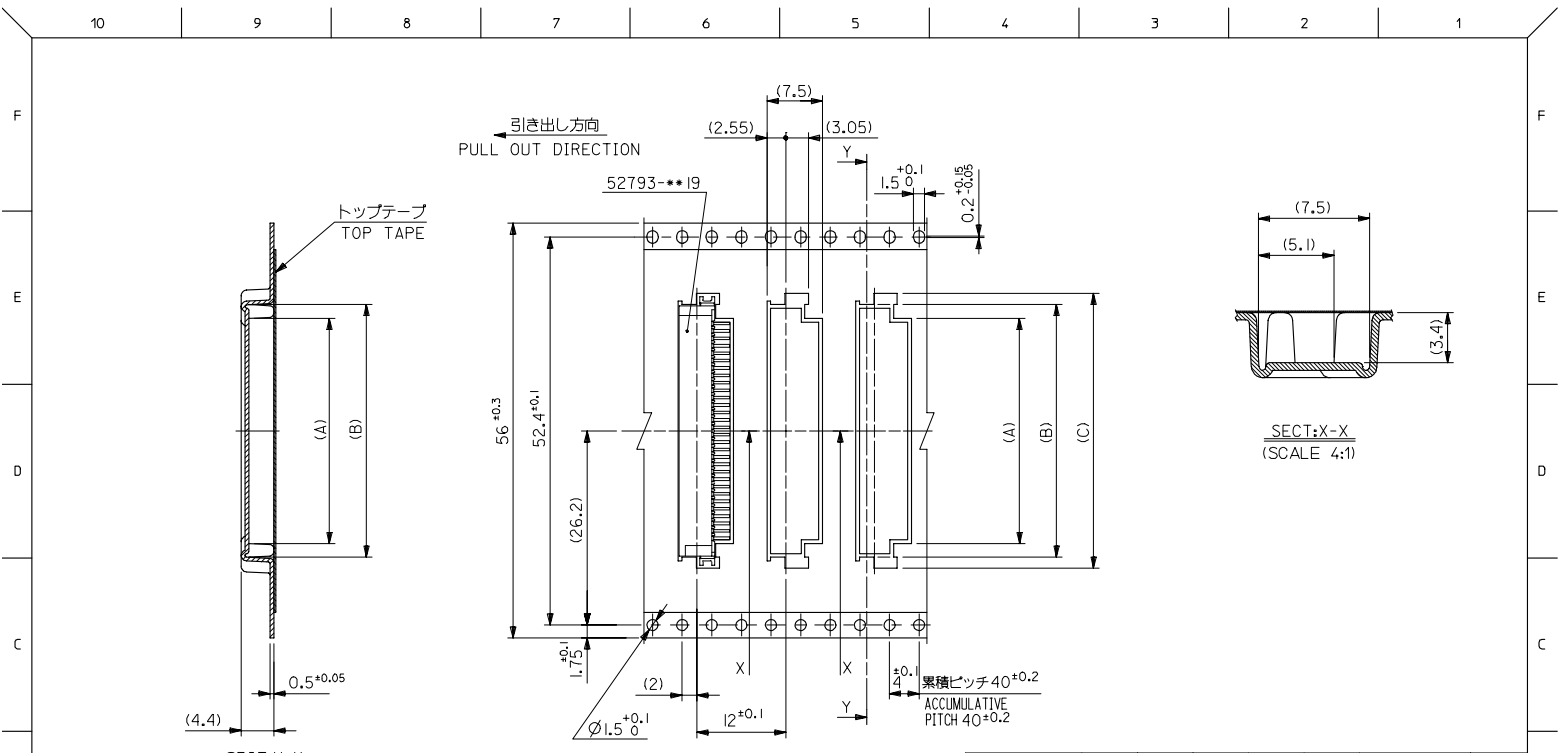
F
E
D
C
B
A



4.4mm幅キャリアテープ
44mm WIDTH CARRIER TAPE

44	49.4	45.4	34.1	31.1	27.4	52793-2770	27
			33.1	30.1	26.4	52793-2670	26
			32.1	29.1	25.4	52793-2570	25
			31.1	28.1	24.4	52793-2470	24
			30.1	27.1	23.4	52793-2370	23
			29.1	26.1	22.4	52793-2270	22
			28.1	25.1	21.4	52793-2170	21
			27.1	24.1	20.4	52793-2070	20
			26.1	23.1	19.4	52793-1970	19
			25.1	22.1	18.4	52793-1870	18
24.1	21.1	17.4	52793-1770	17			
キャリアテープ幅 CARRIER TAPE WIDTH	E	D	(C)	(A)	MATERIAL NO.	52793-***70	MODEL NO.

REVISED EC NO: JZ2006-0384 2005/08/08 CHIKDKIYODA 2005/08/09 APPERNIKITA 2005/08/22	GENERAL TOLERANCES (UNLESS SPECIFIED)	DIMENSION STYLE MM ONLY	SCALE ---	DESIGN UNITS METRIC	THIRD ANGLE PROJECTION
	10 UNDER ±0.2	DRAWN BY M. NAGATA	DATE '03/12/09	TITLE 1.0 FFC CONN. NON ZIF SMT RA EMBSTP PKG -LEAD FREE-	
	10 OVER 30 UNDER ±0.25	CHECKED BY K. TOJO	DATE '03/12/09	MOLEX INCORPORATED	
	30 OVER ±0.3	APPROVED BY M. SASAO	DATE '03/12/09	MATERIAL NO. SEE CHART	
	ANGULAR ±3 °	DRAFT WHERE APPLICABLE MUST REMAIN WITHIN DIMENSIONS		DOCUMENT NO. SD-52793-012	SHEET NO. 4 OF 5



56mm幅キャリアテープ
56mm WIDTH CARRIER TAPE

56	61.4	57.4	37.1	34.1	30.4	52793-3070	30
			36.1	33.1	29.4	52793-2970	29
			35.1	32.1	28.4	52793-2870	28
キャリアテープ幅 CARRIER TAPE WIDTH	E	D	(C)	(B)	(A)	MATERIAL NO.	種数 CIRCUIT
						52793-***70	MODEL NO.

REVISIONS EC NO: J2006-0384 DRAWN: N. IIDA CHECKED: T. YODA APPR: N. IIDA 2005/08/08 2005/08/09 2005/08/22	GENERAL TOLERANCES (UNLESS SPECIFIED)		DIMENSION STYLE	SCALE	DESIGN UNITS	MODEL NO.
			MM ONLY	---	METRIC	THIRD ANGLE PROJECTION
	10 UNDER	± 0.2	DRAWN BY	DATE	TITLE	
	10 OVER 30 UNDER	± 0.25	M. NAGATA	'03/12/09	1.0 FFC CONN. NON ZIF SMT RA EMBSTP PKG -LEAD FREE-	
30 OVER	± 0.3	CHECKED BY	DATE	APPROVED BY		DATE
ANGULAR	± 3 °	K. TOJO	'03/12/09	M. SASAO		'03/12/09
DRAFT WHERE APPLICABLE MUST REMAIN WITHIN DIMENSIONS		MATERIAL NO.	SEE CHART	DOCUMENT NO.		SHEET NO.
				SD-52793-012		5 OF 5
THIS DRAWING CONTAINS INFORMATION THAT IS PROPRIETARY TO MOLEX INCORPORATED AND SHOULD NOT BE USED WITHOUT WRITTEN PERMISSION						