

Excellent Integrated System Limited

Stocking Distributor

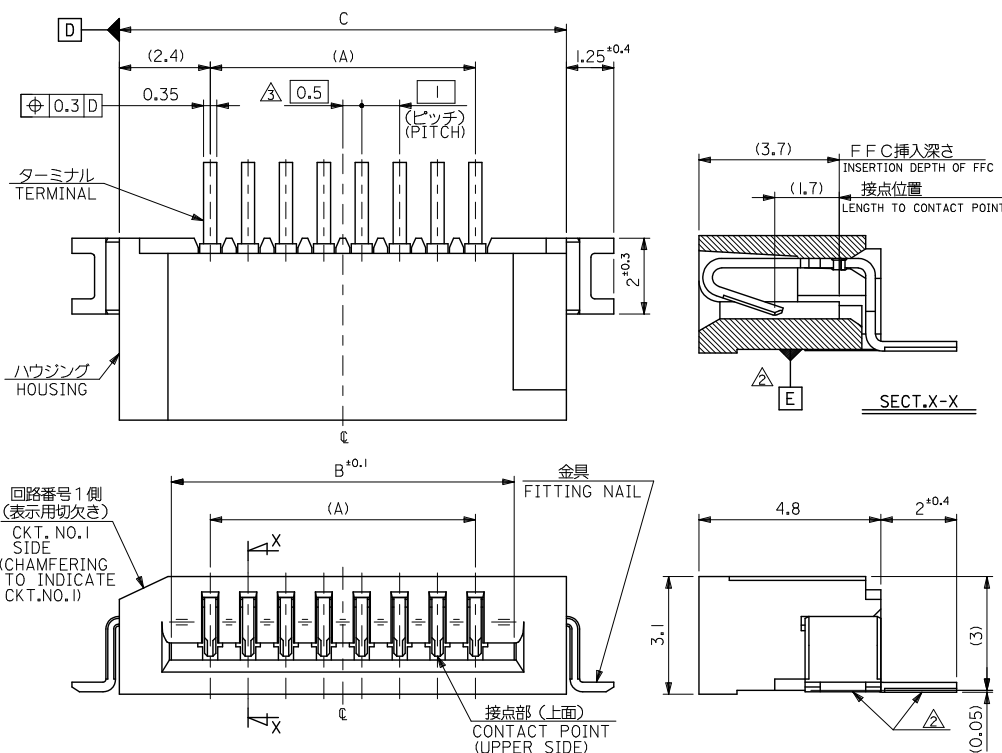
Click to view price, real time Inventory, Delivery & Lifecycle Information:

[Molex Connector Corporation](#)
[0527932672](#)

For any questions, you can email us directly:

sales@integrated-circuit.com

10 9 8 7 6 5 4 3 2 1

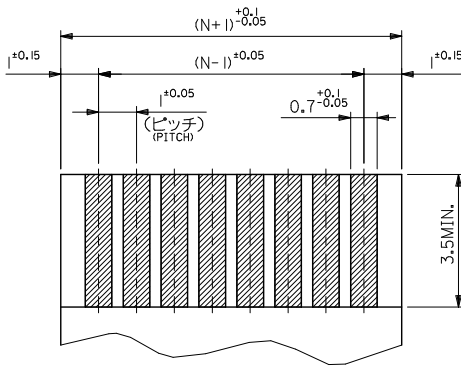


33.8	31.05	29	52793-3071	30
32.8	30.05	28	52793-2971	29
31.8	29.05	27	52793-2871	28
30.8	28.05	26	52793-2771	27
29.8	27.05	25	52793-2671	26
25.8	23.05	21	52793-2271	22
23.8	21.05	19	52793-2071	20
22.8	20.05	18	52793-1971	19
19.8	17.05	15	52793-1671	16
17.8	15.05	13	52793-1471	14
15.8	13.05	11	52793-1271	12
14.8	12.05	10	52793-1171	11
13.8	11.05	9	52793-1071	10
10.8	8.05	6	52793-0771	7
9.8	7.05	5	52793-0671	6
8.8	6.05	4	52793-0571	5
7.8	5.05	3	52793-0471	4
C	B	A	MATERIAL NO	極致 CIRCUIT

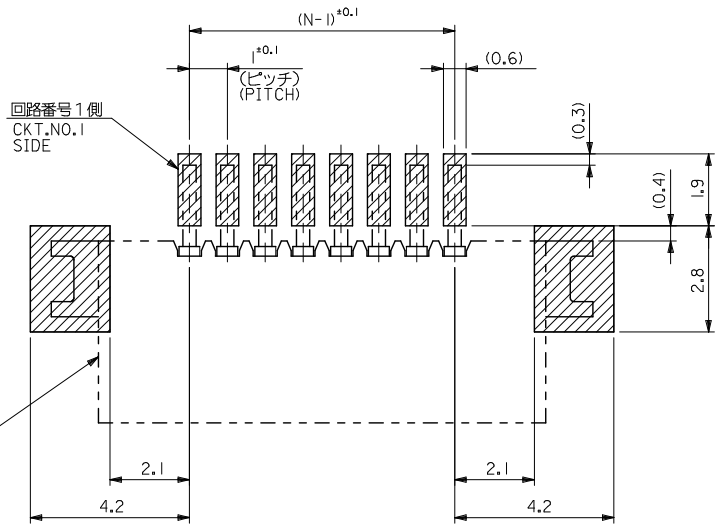
REVISED IEC NO. J2014-0622 DRAWN: NINOUE01 2013/10/07 CHIKUCHI JIMA 2013/10/08 APPR: YNOGAWA 2013/10/08	GENERAL TOLERANCES (UNLESS SPECIFIED)		DIMENSION STYLE	SCALE	52793-**-71	MODEL NO.
			MM ONLY	10:1	DESIGN UNITS	THIRD ANGLE PROJECTION
	10 UNDER	± 0.2	DRAWN BY	DATE	METRIC	⊙
	10 OVER 30 UNDER	± 0.25	M. NABEI	'05/08/19		
30 OVER	± 0.3	CHECKED BY	DATE	TITLE		
ANGULAR	± 3 °	K. TOYODA	'05/08/19	1.0 FFC CONN NON ZIF SMT R/A (UPPER CONTACT) -LEAD FREE-		
DRAFT WHERE APPLICABLE MUST REMAIN WITHIN DIMENSIONS		APPROVED BY	DATE	molex		
		N. UKITA	'05/08/19	SD-52793-014		
		MATERIAL NO.	SEE CHART	DOCUMENT NO.	SHEET NO.	
		SIZE	A3	THIS DRAWING CONTAINS INFORMATION THAT IS PROPRIETARY TO MOLEX INCORPORATED AND SHOULD NOT BE USED WITHOUT WRITTEN PERMISSION		

9 8 7 6 5 4 3 2

10 9 8 7 6 5 4 3 2 1



(仕上がり厚さ) 0.3 ± 0.03
THICKNESS
適合FPC推奨寸法
APPLICABLE FPC
RECOMMENDED DIMENSION.



参考基板レイアウト (マウント面)
RECOMMENDED P.C.BOARD
PATTERN DIMENSION (REF.)
(MOUNTING AREA)

注記 NOTES:

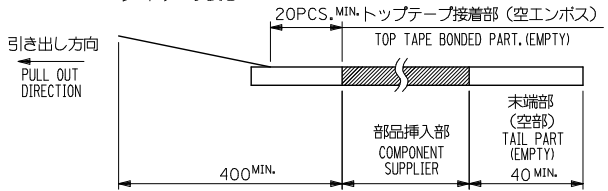
1. 使用材料 MATERIAL
 ハウジング: PPS,UL94V-0
 ターミナル: リン青銅 (t=0.25)
 メッキ: ニッケル下地
 接点部 金メッキ
 テール部 錫メッキ
 金具: リン青銅 (t=0.25)
 メッキ: ニッケル下地純錫メッキ
 HOUSING :PPS,UL94V-0
 TERMINAL :PHOSPHOR BRONZE
 PLATING :CONTACT AREA : GOLD PLATING
 TAIL AREA : TIN PLATING
 OVER NICKEL
 FITTING NAIL :PHOSPHOR BRONZE
 PLATING :TIN OVER NICKEL
2. 基準面 E からの上ルダテールとフィッティングネイルの半田付け面のズレ量は、
 上方向に0.1MAX. 下方向0.15MAX. とする。
 MISALIGNMENT OF SOLDER TAIL AND FITTING NAIL FROM E
 : UPPER DIRECTION 0.1MAX. , LOWER DIRECTION 0.15 MAX.
3. 偶数極に適用。
 APPLY FOR EVEN CKT.
4. 本製品は 52793シリーズの金メッキ品である。
 THIS PRODUCT IS Au PLATING OF 52793 SERIES.

REVISED EC NO. J2014-0622 DRAWN: NABEI CHKD: H. UJIMA APPR: Y. NOGAWA 2013/10/08 2013/10/08 2013/10/08	GENERAL TOLERANCES (UNLESS SPECIFIED)		DIMENSION STYLE MM ONLY		SCALE 10:1	DESIGN UNITS METRIC	THIRD ANGLE PROJECTION
	10 UNDER	±0.2	DRAWN BY M. NABEI	DATE '05/08/19	TITLE 1.0 FFC CONN NON ZIF SMT R/A (UPPER CONTACT) -LEAD FREE- molex		
	10 OVER 30 UNDER	±0.25	CHECKED BY K. TOYODA	DATE '05/08/19			
	30 OVER	±0.3	APPROVED BY N. UKITA	DATE '05/08/19			
ANGULAR	±3 °	DRAFT WHERE APPLICABLE MUST REMAIN WITHIN DIMENSIONS		MATERIAL NO. SEE SHEET 1	DOCUMENT NO. SD-52793-014	SHEET NO. 2 OF 2	
SIZE A3 THIS DRAWING CONTAINS INFORMATION THAT IS PROPRIETARY TO MOLEX INCORPORATED AND SHOULD NOT BE USED WITHOUT WRITTEN PERMISSION							

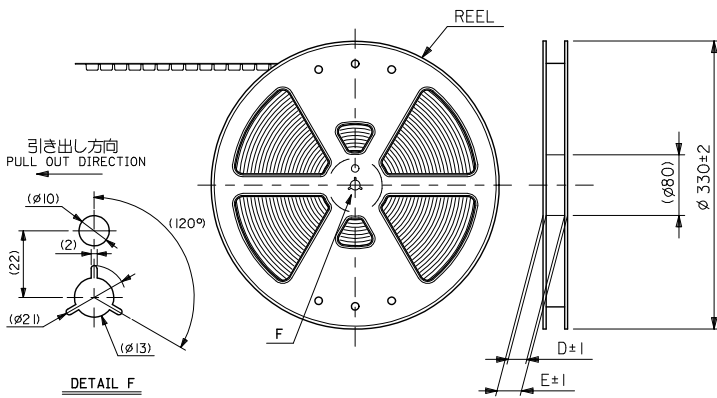
9 8 7 6 5 4 3 2 1

10 9 8 7 6 5 4 3 2 1

- NOTES**
- 製品詳細寸法については 製品単体図面 を参照下さい。
RE DETAILED DIMENSION, SEE SALES DRAWING FOR CONNECTOR.
 - 梱包数量: 1000個/リール
NUMBER OF CONNECTORS : 1000PCS/REEL
 - リードテープ長さ LEAD TAPE LENGTH



- 材料 (MATERIAL)
キャリアテープ (CARRIER TAPE): ポリプロピレン (POLYPROPYLENE)
トップテープ (TOP TAPE): PET, PE, PEF
リール (REEL): ポリスチレン (P.S.) <リサイクル材を含む>
POLYSTYRENE (P.S.) <RECYCLE MATERIAL CONTAINED>
- 本製品は 52793 シリーズの金メッキ品である。
THIS PRODUCT IS Au PLATING OF 52793 SERIES.



REVISED EC NO. J2014-0622 DRAWN INOLE01 2013/10/07 CHKDHIJIMA 2013/10/08 APPR:YNOGAWA 2013/10/08	GENERAL TOLERANCES (UNLESS SPECIFIED)		DIMENSION STYLE MM ONLY		SCALE ---	52793-***72	MODEL NO.
	10 UNDER	± 0.2	DRAWN BY M.NABEL	DATE '05/08/19	TITLE 1.0 FFC CONN NON ZIF SMT RA UPPER CONT EMBSTP PKG -LEAD FREE-	DESIGN UNITS METRIC	THIRD ANGLE PROJECTION
	10 OVER 30 UNDER	± 0.25	CHECKED BY K.TOYODA	DATE '05/08/19	molex	DOCUMENT NO. SD-52793-015	SHEET NO. 1 OF 5
	30 OVER	± 0.3	APPROVED BY N.UKITA	DATE '05/08/19			
ANGULAR	± 3 °	MATERIAL NO. SEE SHEET 2-5		THIS DRAWING CONTAINS INFORMATION THAT IS PROPRIETARY TO MOLEX INCORPORATED AND SHOULD NOT BE USED WITHOUT WRITTEN PERMISSION			
H	DRAFT WHERE APPLICABLE MUST REMAIN WITHIN DIMENSIONS		SIZE A3				

9 8 7 6 5 4 3 2

10 9 8 7 6 5 4 3 2 1

F

E

D

C

B

A

F

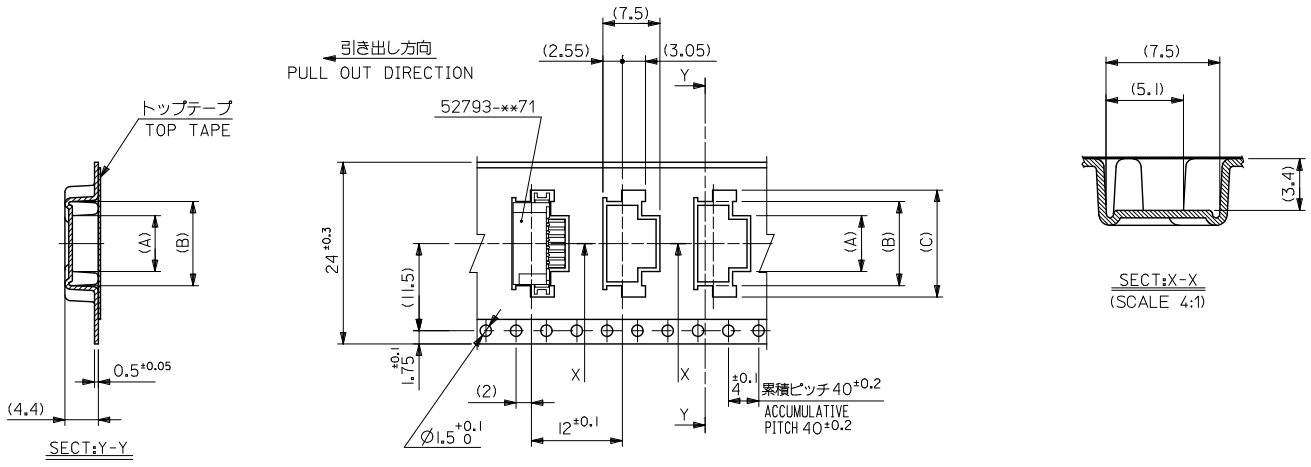
E

D

C

B

A



24mm幅キャリアテープ
24mm WIDTH CARRIER TAPE

24	29.4	25.4	18.1	15.1	11.4	52793-1172	11	
			17.1	14.1	10.4	52793-1072	10	
			14.1	11.1	7.4	52793-0772	7	
			13.1	10.1	6.4	52793-0672	6	
			12.1	9.1	5.4	52793-0572	5	
			11.1	8.1	4.4	52793-0472	4	
キャリアテープ幅 CARRIER TAPE WIDTH		E	D	(C)	(B)	(A)	MATERIAL NO.	種数 CKT.

REVISED EC NO. J2014-0622 DRAWN INOLE01 2013/10/07 CHKDHIJIMA 2013/10/08 APPR:YNOGAWA 2013/10/08	DESCRIPTION	GENERAL TOLERANCES (UNLESS SPECIFIED)		DIMENSION STYLE		SCALE	52793-**72	MODEL NO.	
				MM ONLY		---	DESIGN UNITS	THIRD ANGLE PROJECTION	
		10 UNDER	± 0.2	DRAWN BY	DATE	TITLE	METRIC	⊙	1.0 FFC CONN NON ZIF SMT RA UPPER CONT EMBSTP PKG -LEAD FREE-
		10 OVER 30 UNDER	± 0.25	M. NABEI	'05/08/19	molex			
30 OVER	± 0.3	CHECKED BY	DATE	DOCUMENT NO.	SHEET NO.				
	ANGULAR ± 3 °	APPROVED BY	DATE	SD-52793-015	2 OF 5				
H	REV	DRAFT WHERE APPLICABLE MUST REMAIN WITHIN DIMENSIONS		SEE CHART		THIS DRAWING CONTAINS INFORMATION THAT IS PROPRIETARY TO MOLEX INCORPORATED AND SHOULD NOT BE USED WITHOUT WRITTEN PERMISSION			

9 8 7 6 5 4 3 2

10 9 8 7 6 5 4 3 2 1

F

E

D

C

B

A

F

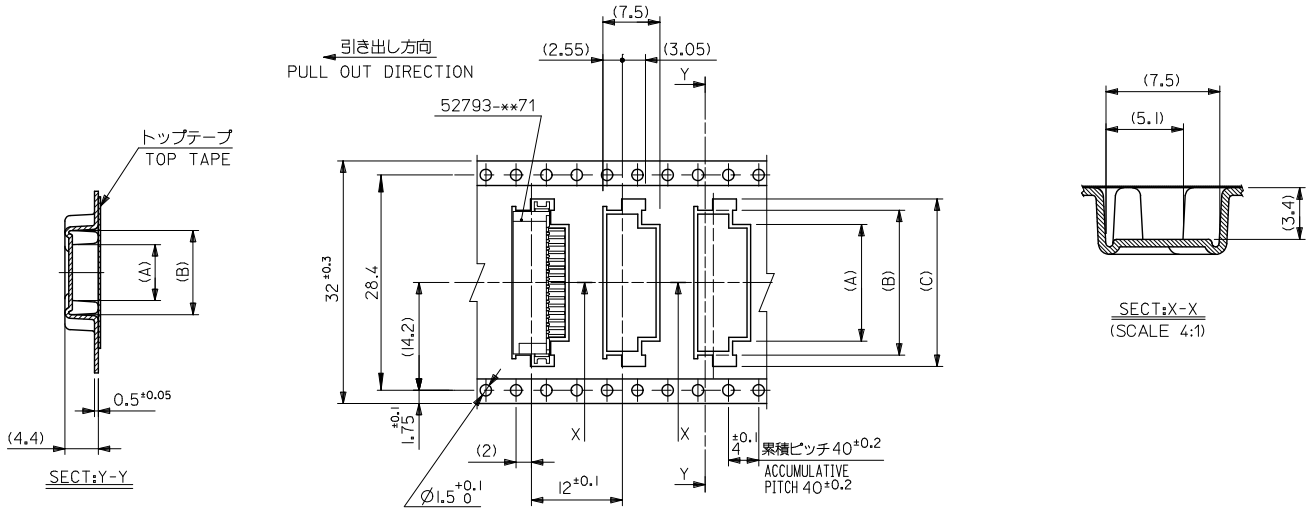
E

D

C

B

A



32mm幅キャリアテープ
32mm WIDTH CARRIER TAPE

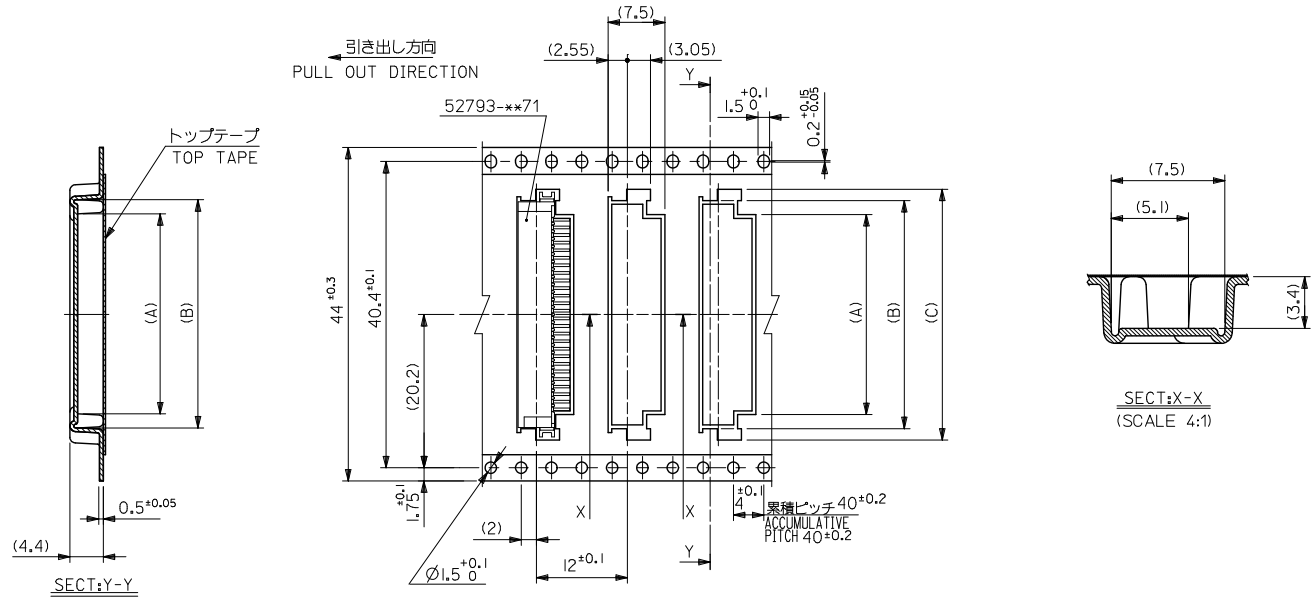
32	37.4	33.4	21.1	20.1	16.4	52793-1672	16
			23.1	18.1	14.4	52793-1472	14
			19.1	16.1	12.4	52793-1272	12
キャリアテープ幅 CARRIER TAPE WIDTH	E	D	(C)	(B)	(A)	MATERIAL NO.	極数 CKT.

REVISED IEC NO. J2014-0622 DRAWN INOUE01 2013/10/07 CHIKUCHIJI MA 2013/10/08 APPR: INOUE MA 2013/10/08 H	GENERAL TOLERANCES (UNLESS SPECIFIED)		DIMENSION STYLE MM ONLY		SCALE ---	DESIGN UNITS METRIC	52793-**72	MODEL NO.
	10 UNDER	±0.2	DRAWN BY M. NABEI	DATE '05/08/19	TITLE 1.0 FFC CONN NON ZIF SMT RA UPPER CONT EMBSTP PKG -LEAD FREE-			
	10 OVER 30 UNDER	±0.25	CHECKED BY K. TOYODA	DATE '05/08/19				
	30 OVER	±0.3	APPROVED BY N. UKITA	DATE '05/08/19				
ANGULAR ±3 °		DRAFT WHERE APPLICABLE MUST REMAIN WITHIN DIMENSIONS		MATERIAL NO. SEE CHART		DOCUMENT NO. SD-52793-015	SHEET NO. 3 OF 5	
SIZE A3 THIS DRAWING CONTAINS INFORMATION THAT IS PROPRIETARY TO MOLEX INCORPORATED AND SHOULD NOT BE USED WITHOUT WRITTEN PERMISSION								

9 8 7 6 5 4 3 2 1

10 9 8 7 6 5 4 3 2 1

F
E
D
C
B
A



44mm幅キャリアテープ
44mm WIDTH CARRIER TAPE

44	49.4	45.4	34.1	31.1	27.4	52793-2772	27
			33.1	30.1	26.4	52793-2672	26
			29.1	26.1	22.4	52793-2272	22
			27.1	24.1	20.4	52793-2072	20
			26.1	23.1	19.4	52793-1972	19
キャリアテープ幅 CARRIER TAPE WIDTH	E	D	(C)	(B)	(A)	MATERIAL NO.	種 類 電 路 図

REVISED EC NO. J2014-0622 DRAWN INOLE01 2013/10/07 CHKDHIJIMA 2013/10/08 APPR:YNOGAWA 2013/10/08 REV H	GENERAL TOLERANCES (UNLESS SPECIFIED)	DIMENSION STYLE MM ONLY	SCALE ---	52793-***72	MODEL NO.
	10 UNDER ± 0.2	DRAWN BY M.NABEL	DATE '05/08/19	TITLE 1.0 FFC CONN NON ZIF SMT RA UPPER CONT EMBSTP PKG -LEAD FREE-	
	10 OVER 30 UNDER ± 0.25	CHECKED BY K.TOYODA	DATE '05/08/19		
	30 OVER ± 0.3	APPROVED BY N.UKITA	DATE '05/08/19		
	ANGULAR ± 3 °	MATERIAL NO.		DOCUMENT NO.	SHEET NO.
DRAFT WHERE APPLICABLE MUST REMAIN WITHIN DIMENSIONS	SEE CHART		SD-52793-015	4 OF 5	
THIS DRAWING CONTAINS INFORMATION THAT IS PROPRIETARY TO MOLEX INCORPORATED AND SHOULD NOT BE USED WITHOUT WRITTEN PERMISSION					

9 8 7 6 5 4 3 2

