

Excellent Integrated System Limited

Stocking Distributor

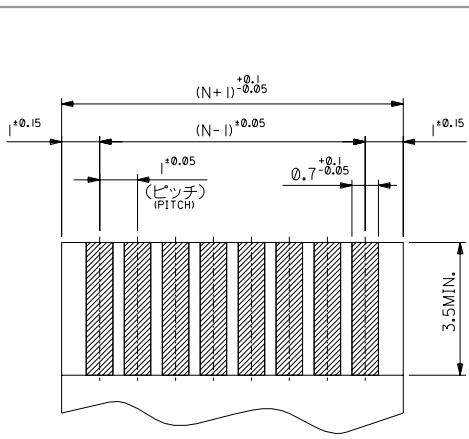
Click to view price, real time Inventory, Delivery & Lifecycle Information:

[Molex Connector Corporation](#)
[0527933070](#)

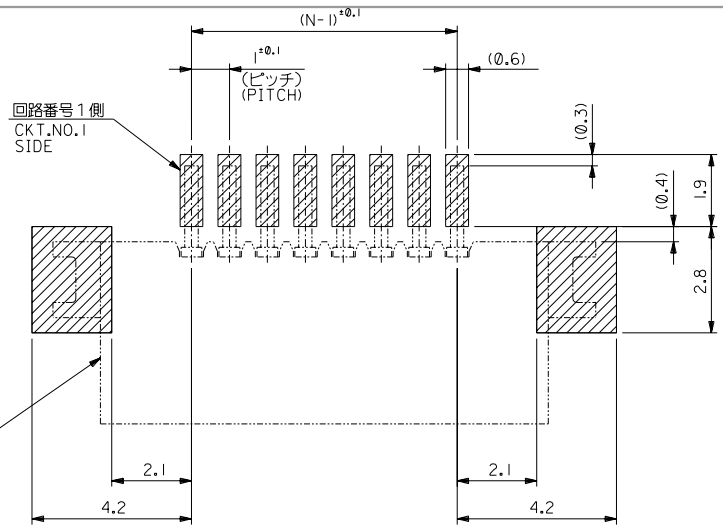
For any questions, you can email us directly:

sales@integrated-circuit.com

DWG. NO. SD-52793-011



(仕上がり厚さ) 0.3^{+0.03}
THICKNESS
適用FPC推奨寸法
APPLICABLE FPC
RECOMMENDED DIMENSION.



参考基板レイアウト (マウント面)
RECOMMENDED P.C.BOARD
PATTERN DIMENSION (REF.)
(MOUNTING AREA)

注記 NOTES:

1. 使用材料 MATERIAL
ハウジング: PPS, UL94V-0
ターミナル: リン青銅 (t=0.25)
メッキ: ニッケル下地純銅ピスマスメッキ
金具: リン青銅 (t=0.25)
メッキ: ニッケル下地純銅メッキ
 - HOUSING : PPS, UL94V-0
TERMINAL : PHOSPHOR BRONZE
PLATING : Sn-BI OVER NI
FITTING NAIL : PHOSPHOR BRONZE
PLATING : Sn OVER NI
- 基準面 [E] からのソルダーテールとフィッティングネイルの半田付け面のズレ量は、
上方向に0.1MAX.、下方向0.15MAX.とする。
MISALIGNMENT OF SOLDER TAIL AND FITTING NAIL FROM [E]
: UPPER DIRECTION 0.1 MAX., LOWER DIRECTION 0.15 MAX.
- 偶数極に適用。
APPLY FOR EVEN CKT.

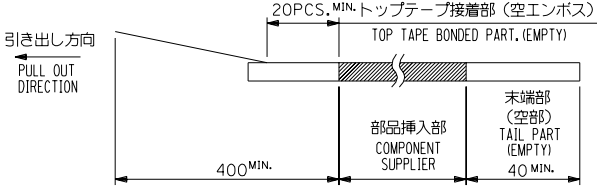
4. 本製品は 52793-**-10 の鉛フリー品である。
THIS PRODUCT IS LEAD FREE OF 52793-**-10

DO NOT SCALE DRAWING				SEE SHEET 1 OF 2		MATERIAL 材料 注記参照 SEE NOTES		GENERAL TOLERANCES: (UNLESS SPECIFIED) 一般公差		SCALE 10:1		DESIGN UNITS mm INCH		DIMENSIONS: mm INCH		SHT 2		REV	
EC NO. DRAWN: CHK: APPR:				EC NO. DRAWN: CHK: APPR:		FINISH 仕上り		10 UNDER 未満		DRAWN BY & DATE H.KAWABATA '03/12/09		THIRD ANGLE PROJECTION		mm INCH		REVISE ON CAD ONLY			
EC NO. DRAWN: CHK: APPR:				EC NO. DRAWN: CHK: APPR:		WIRE RANGE 適用電線範囲		10 OVER 30 UNDER 未満		CHECKED BY & DATE K.TOJO '03/12/09		MOLEX		TITLE: I.O FFC CONN. NON ZIF SMT R/A (UPPER CONTACT) -LEAD FREE-					
EC NO. DRAWN: CHK: APPR:				EC NO. DRAWN: CHK: APPR:		INS. RANGE 被覆外径		30 OVER 以上		APPROVED BY & DATE H. Saito '03/12/09		MATERIAL NO. 52793-**-19		DRAWING NO. SD-52793-011		SHEET NO. 2 OF 2			
8				7		6		4		3		2							
THIS DRAWING CONTAINS INFORMATION THAT IS PROPRIETARY TO MOLEX INCORPORATED AND SHOULD NOT BE USED WITHOUT WRITTEN PERMISSION.																		EN-02J(097) MXJ-54	

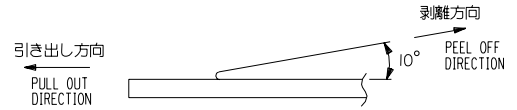
DWG. NO. SD-52793-012

NOTES

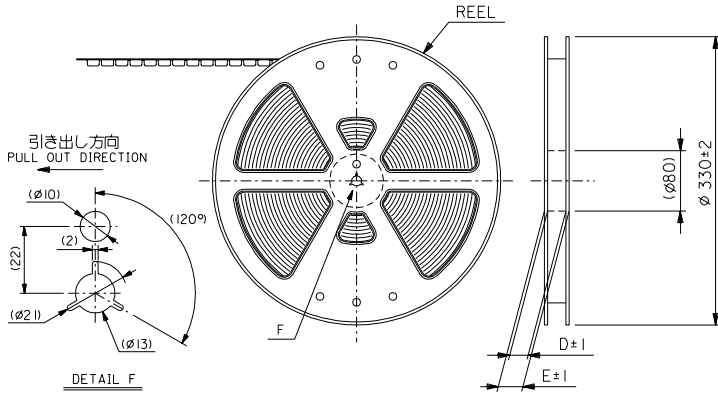
- 製品詳細寸法については図面 SD-52793-011 を参照下さい。
RE DETAILED DIMENSION, SEE SD-52793-011.
- 梱包数量: 1000個/リール
NUMBER OF CONNECTORS : 1000PCS/REEL
- リードテープ長さ LEAD TAPE LENGTH



- トップテープの剥離強度: 0.1-1.3 N(10-130gf) (剥離方向は下図参照) 尚、本規格値は出荷時に適用。(但し、輸送時に剥離が発生しないこと。)
PEELING OFF FORCE OF TOP TAPE : 0.1-1.3 N(10-130gf)
(PEELING DIRECTION AS SHOWN IN FOLLOWING FIG.)
THIS REQUIREMENT SHOULD BE APPLIED AT SHIPMENT.
PEEL OFF SHOULD NOT BE ALLOWED , DURING TRANSPORTATION.



- 材料 (MATERIAL)
キャリアテープ (CARRIER TAPE): ポリプロピレン (POLYPROPYLENE)
トップテープ (TOP TAPE): PET, PE, PEF
リール (REEL): ポリスチレン (PS) <リサイクル材を含む>
POLYSTYRENE (PS) <RECYCLE MATERIAL CONTAINED>
- 本製品は 52793-***90 の鉛フリー品である。
THIS PRODUCT IS LEAD FREE OF 52793-***90

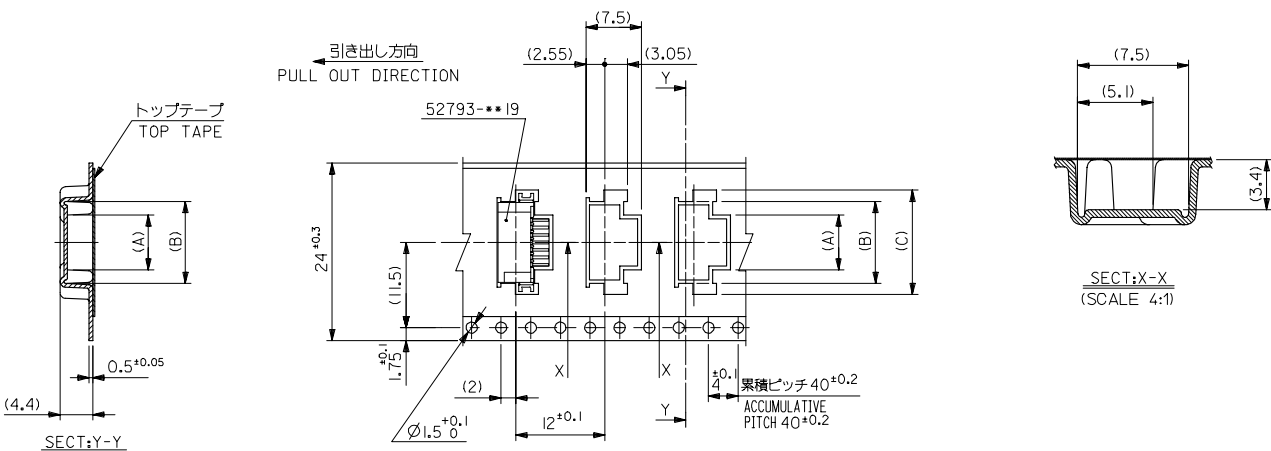


DO NOT SCALE DRAWING

EC NO. DRWN: CHK: APPR:		EC NO. DRWN: CHK: APPR:		EC NO. DRWN: CHK: APPR:		REVISED EC NO. J2004-2778 DRWN: SHIMABUKURO CHK: TOJO APPR: MASAO		RELEASED EC NO. J2004-1419 DRWN: MANAGATA CHK: K.TOJO APPR: MASAO		MATERIAL 材料 注記参照 SEE NOTES		GENERAL TOLERANCES: (UNLESS SPECIFIED) 一般公差		SCALE ---		DESIGN UNITS mm INCH		THIRD ANGLE PROJECTION		52793-***70 MODEL NO.		DIMENSIONS: mm INCH mm ONLY		SHT REV											
A		O		REV		INS. RANGE 挿入外径		WIRE RANGE 通用電線範囲		FINISH 仕上げ		10 UNDER 未満		10 OVER 以上		30 UNDER 未満		30 OVER 以上		DRAWN BY & DATE M.NAGATA '03/12/09		CHECKED BY & DATE K.TOJO '03/12/09		APPROVED BY & DATE M.SASAO '03/12/09		CAD FILENAME SD-52793-012.S01		MATERIAL NO. SEE CHART		DRAWING NO. SD-52793-012		SHEET NO. 1 OF 5		SIZE B	
8		7		6		5		4		3		2		1		EN-02JK097) MXJ-54																			

SD-52793-012

10 9 8 7 6 5 4 3 2 1



24mm幅キャリアテープ
24mm WIDTH CARRIER TAPE

24	29.4	25.4	18.1	15.1	11.4	52793-1170	11
			17.1	14.1	10.4	52793-1070	10
			16.1	13.1	9.4	52793-0970	9
			15.1	12.1	8.4	52793-0870	8
			14.1	11.1	7.4	52793-0770	7
			13.1	10.1	6.4	52793-0670	6
			12.1	9.1	5.4	52793-0570	5
			11.1	8.1	4.4	52793-0470	4
キャリアテープ幅 CARRIER TAPE WIDTH		E	D	(C)	(A)	MATERIAL NO.	種数 CKT.
						52793-***70	MODEL NO.

REVISIONS EC NO: J2006-0384 2005/08/08 CHIKUKI YODIA 2005/08/09 APPERUKITA 2005/08/22	GENERAL TOLERANCES (UNLESS SPECIFIED)		DIMENSION STYLE	SCALE	DESIGN UNITS	THIRD ANGLE PROJECTION	
	(UNLESS SPECIFIED)		MM ONLY	---	METRIC		
	DESCRIPTION	10 UNDER	±0.2	DRAWN BY	DATE	TITLE	MOLEX INCORPORATED 1.0 FFC CONN. NON ZIF SMT RA EMBSTP PKG -LEAD FREE-
		10 OVER 30 UNDER	±0.25	M. NAGATA	'03/12/09		
	30 OVER	±0.3	K. TOJO	'03/12/09			
	ANGULAR	±3 °	M. SASAO	'03/12/09			
	DRAFT WHERE APPLICABLE MUST REMAIN WITHIN DIMENSIONS		MATERIAL NO.	DOCUMENT NO.	SHEET NO.		
			SEE CHART	SD-52793-012	2 OF 5		
THIS DRAWING CONTAINS INFORMATION THAT IS PROPRIETARY TO MOLEX INCORPORATED AND SHOULD NOT BE USED WITHOUT WRITTEN PERMISSION							

DWG. NO. SD-52793-012

F

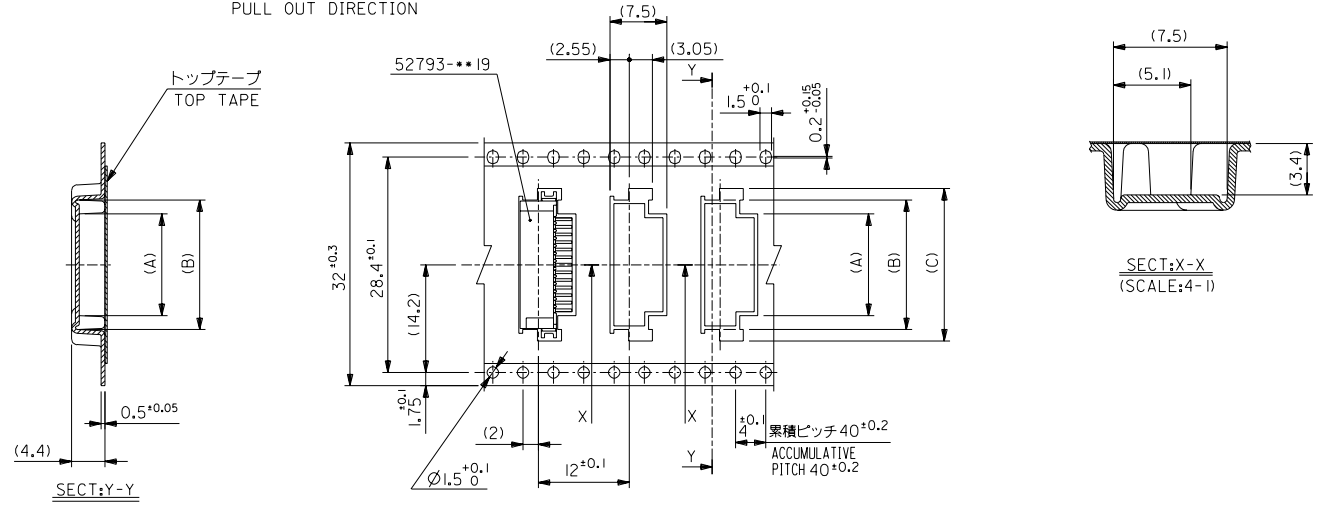
D

C

B

DO NOT SCALE DRAWING

引き出し方向
PULL OUT DIRECTION



32mm幅キャリアテープ
32mm WIDTH CARRIER TAPE

32	37.4	33.4	23.1	20.1	16.4	52793-1670	16		
			22.1	19.1	15.4	52793-1570	15		
			21.1	18.1	14.4	52793-1470	14		
			20.1	17.1	13.4	52793-1370	13		
			19.1	16.1	12.4	52793-1270	12		
キャリアテープ幅 CARRIER TAPE WIDTH			E	D	(C)	(B)	(A)	MATERIAL NO.	極致 CIRCUIT

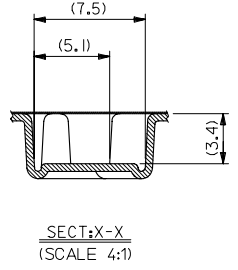
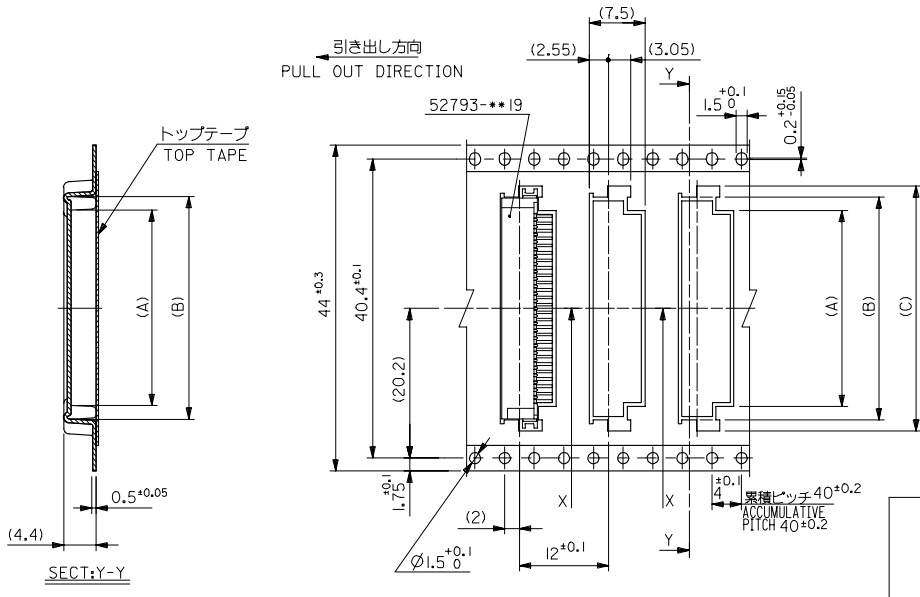
EC NO. DRAWN: CHK: APPR:		EC NO. DRAWN: CHK: APPR:		EC NO. DRAWN: CHK: APPR:		REVISED EC NO. J2004-2778 DRAWN: HSHIMABUKURO WJZ CHK: K.TOJO WJZ APPR: M.SASAO WJZ		RELEASED EC NO. J2004-1419 DRAWN: MANAGATA WJZ CHK: K.TOJO WJZ APPR: M.SASAO WJZ		MATERIAL 材料 SHEET 1 OF 5 参照 REFER TO SHEET 1 OF 5		GENERAL TOLERANCES: (UNLESS SPECIFIED) 10 UNDER 未満 +0.2 10 OVER 以上 30 UNDER 未満 +0.25 30 OVER 以上 +0.3		SCALE --- DESIGN UNITS mm INCH		MODEL NO. 52793-70		DIMENSIONS: THIRD ANGLE PROJECTION mm INCH mm INCH mm ONLY		SHT REV					
A		O		REV		FINISH 仕上げ		WIRE RANGE 適用電線範囲		ANGLE 角度		DRAWN BY & DATE M.NAGATA '03/12/09		CHECKED BY & DATE K.TOJO '03/12/09		APPROVED BY & DATE M.SASAO '03/12/09		TITLE: 1.0 FFC Conn Assy NON ZIF SMT RA Upper Contact Embstp Pkg -LEAD FREE-		MATERIAL NO. SEE CHART		DRAWING NO. SD-52793-012		SHEET NO. 3 OF 5	
8		7		6		5		4		3		2		1		EN-02J(097) MXJ-54									

SD-52793-012-03

10 9 8 7 6 5 4 3 2 1

F
E
D
C
B
A

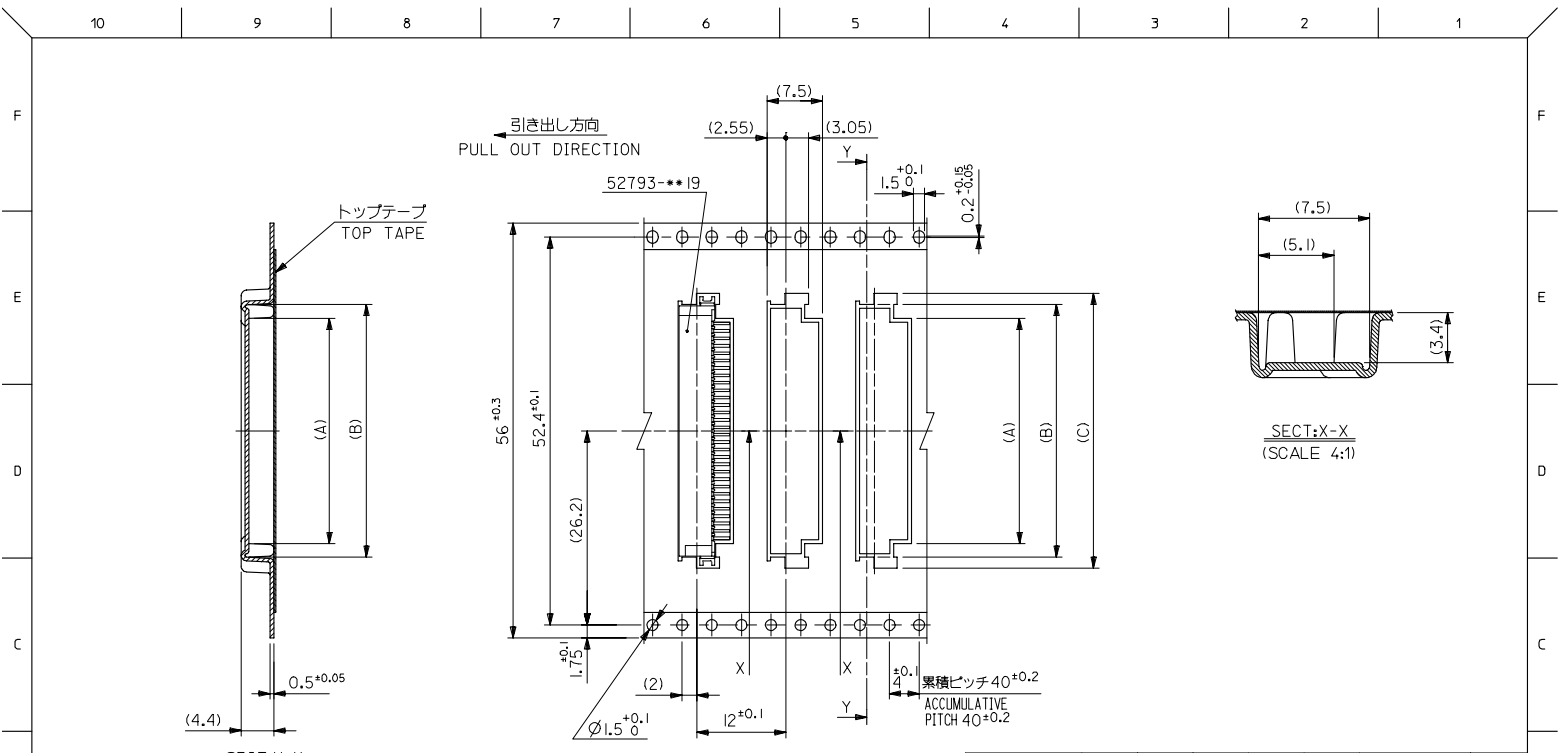
F
E
D
C
B
A



4.4mm幅キャリアテープ
44mm WIDTH CARRIER TAPE

44	49.4	45.4	34.1	31.1	27.4	52793-2770	27
			33.1	30.1	26.4	52793-2670	26
			32.1	29.1	25.4	52793-2570	25
			31.1	28.1	24.4	52793-2470	24
			30.1	27.1	23.4	52793-2370	23
			29.1	26.1	22.4	52793-2270	22
			28.1	25.1	21.4	52793-2170	21
			27.1	24.1	20.4	52793-2070	20
			26.1	23.1	19.4	52793-1970	19
			25.1	22.1	18.4	52793-1870	18
24.1	21.1	17.4	52793-1770	17			
キャリアテープ幅 CARRIER TAPE WIDTH	E	D	(C)	(A)	MATERIAL NO.	52793-***70	MODEL NO.

REVISIONS EC NO: J2006-0384 DRAWN: N. NAITA CHECKED: T. YODA APPR: N. NAITA	GENERAL TOLERANCES (UNLESS SPECIFIED)		DIMENSION STYLE	SCALE	DESIGN UNITS	THIRD ANGLE	
	10 UNDER	±0.2	MM ONLY	---	METRIC	PROJECTION	
	10 OVER 30 UNDER	±0.25					
	30 OVER	±0.3					
	ANGULAR	±3°					
	DRAFT WHERE APPLICABLE MUST REMAIN WITHIN DIMENSIONS		MATERIAL NO.	DOCUMENT NO.	SHEET NO.		
			SEE CHART	SD-52793-012	4 OF 5		
	THIS DRAWING CONTAINS INFORMATION THAT IS PROPRIETARY TO MOLEX INCORPORATED AND SHOULD NOT BE USED WITHOUT WRITTEN PERMISSION						



56mm幅キャリアテープ
56mm WIDTH CARRIER TAPE

56	61.4	57.4	37.1	34.1	30.4	52793-3070	30
			36.1	33.1	29.4	52793-2970	29
			35.1	32.1	28.4	52793-2870	28
キャリアテープ幅 CARRIER TAPE WIDTH	E	D	(C)	(B)	(A)	MATERIAL NO.	種数 CIRCUIT
						52793-***70	MODEL NO.

REVISIONS EC NO: J2006-0384 DRAWN: N. IIDA CHECKED: T. YODA APPR: N. IIDA 2005/08/08 2005/08/09 2005/08/22	GENERAL TOLERANCES (UNLESS SPECIFIED)		DIMENSION STYLE	SCALE	DESIGN UNITS	THIRD ANGLE PROJECTION	
			MM ONLY	---	METRIC		
	DESCRIPTION	TOLERANCE	DATE	TITLE			
	10 UNDER	± 0.2	'03/12/09	1.0 FFC CONN. NON ZIF			
10 OVER 30 UNDER	± 0.25	'03/12/09	SMT RA EMBSTP PKG				
30 OVER	± 0.3	'03/12/09	-LEAD FREE-				
ANGULAR	± 3 °		MOLEX INCORPORATED				
DRAFT WHERE APPLICABLE MUST REMAIN WITHIN DIMENSIONS		MATERIAL NO.	DOCUMENT NO.	SHEET NO.			
		SEE CHART	SD-52793-012	5 OF 5			
THIS DRAWING CONTAINS INFORMATION THAT IS PROPRIETARY TO MOLEX INCORPORATED AND SHOULD NOT BE USED WITHOUT WRITTEN PERMISSION							