

Excellent Integrated System Limited

Stocking Distributor

Click to view price, real time Inventory, Delivery & Lifecycle Information:

[Molex Connector Corporation](#)
[0528522870](#)

For any questions, you can email us directly:

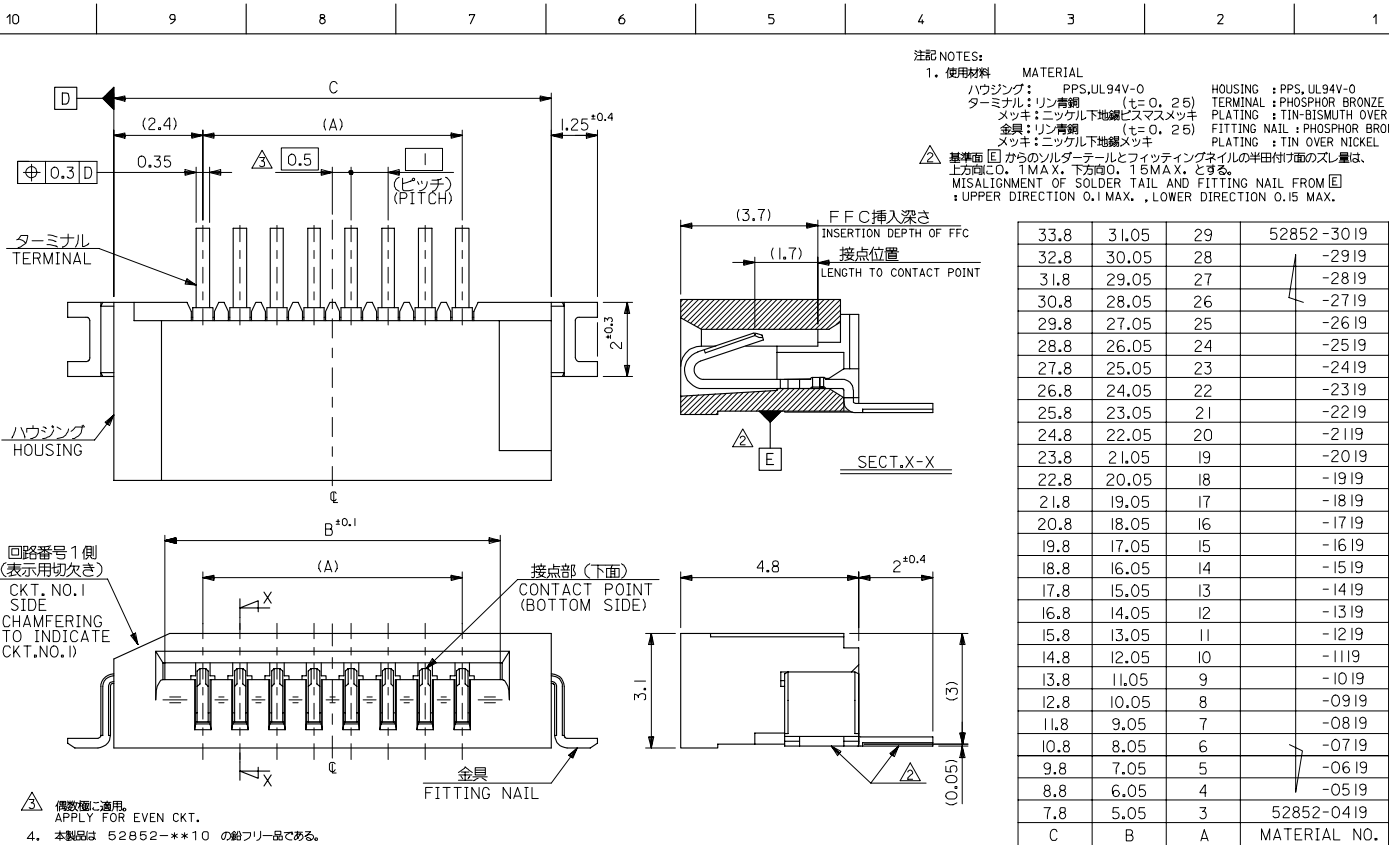
sales@integrated-circuit.com

注記 NOTES:

1. 使用材料 MATERIAL

ハウジング: PPS,UL94V-0 HOUSING: PPS,UL94V-0
 ターミナル: リン青銅 (寸=0.25) TERMINAL: PHOSPHOR BRONZE
 ターミナル: ニッケル下地鍍金メッキメッキ PLATING: TIN-BISMUTH OVER NICKEL
 メッキ: ニッケル下地鍍金メッキメッキ FITTING NAIL: PHOSPHOR BRONZE
 金具: リン青銅 (寸=0.25) PLATING: TIN OVER NICKEL
 メッキ: ニッケル下地鍍金メッキ

△ 基準面 E からのソルダータールとフィッティングネイルの半田付け面のズレ量は、
 上方向に0.1MAX、下方向0.15MAXとする。
 MISALIGNMENT OF SOLDER TAIL AND FITTING NAIL FROM E
 : UPPER DIRECTION 0.1MAX., LOWER DIRECTION 0.15 MAX.

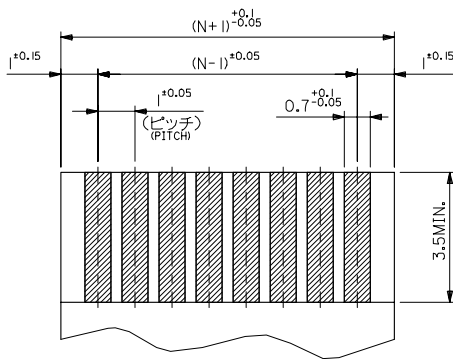


33.8	31.05	29	52852-3019	30
32.8	30.05	28	-2919	29
31.8	29.05	27	-2819	28
30.8	28.05	26	-2719	27
29.8	27.05	25	-2619	26
28.8	26.05	24	-2519	25
27.8	25.05	23	-2419	24
26.8	24.05	22	-2319	23
25.8	23.05	21	-2219	22
24.8	22.05	20	-2119	21
23.8	21.05	19	-2019	20
22.8	20.05	18	-1919	19
21.8	19.05	17	-1819	18
20.8	18.05	16	-1719	17
19.8	17.05	15	-1619	16
18.8	16.05	14	-1519	15
17.8	15.05	13	-1419	14
16.8	14.05	12	-1319	13
15.8	13.05	11	-1219	12
14.8	12.05	10	-1119	11
13.8	11.05	9	-1019	10
12.8	10.05	8	-0919	9
11.8	9.05	7	-0819	8
10.8	8.05	6	-0719	7
9.8	7.05	5	-0619	6
8.8	6.05	4	-0519	5
7.8	5.05	3	52852-0419	4
C	B	A	MATERIAL NO.	極数 CIRCUIT

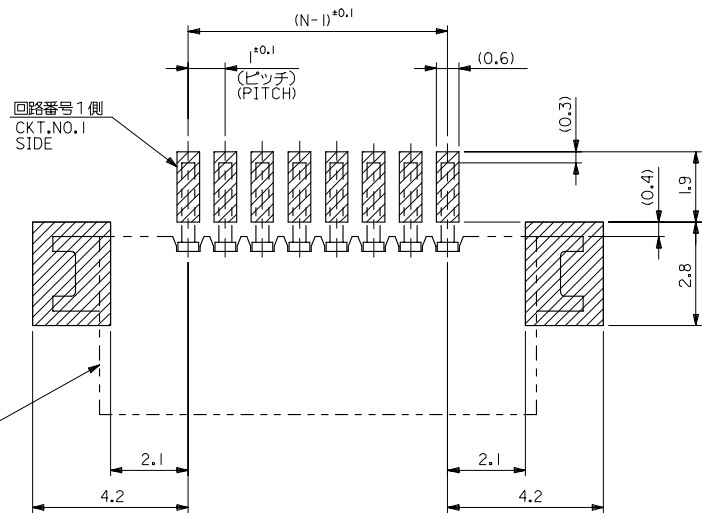
△ 偶数面に適用
 APPLY FOR EVEN CKT.
 4. 本製品は 52852-**-10 の鉛フリー品である。
 THIS PRODUCT IS LEAD FREE OF 52852-**-10

REVISED EC NO: J2005-1451 DRW: NAKADA CHK: KATO APP: NIKITA	DESCRIPTION 2004/11/16 2004/11/17 2004/11/17	GENERAL TOLERANCES (UNLESS SPECIFIED)		DIMENSION STYLE	SCALE	DESIGN UNITS	THIRD ANGLE PROJECTION	
		10 UNDER ±0.2	10 OVER ±0.25	MM ONLY	---	METRIC	◎	
		30 UNDER ±0.25	30 OVER ±0.3	DATE	DATE	TITLE		
		ANGULAR ±3°	DRAFT WHERE APPLICABLE MUST REMAIN WITHIN DIMENSIONS	M. NAGATA '04/02/27	K. TOJO '04/02/27	1.0 FFC CONN NON ZIF SMT RA (BOTTOM CONTACT) -LEAD FREE-		
REV: A		MATERIAL NO.	DOCUMENT NO.	MATERIAL NO.		SHEET NO.		
		SEE CAHRT	SD-52852-010	MATERIAL NO.		1 OF 2		
SIZE: THIS DRAWING CONTAINS INFORMATION THAT IS PROPRIETARY TO MOLEX INCORPORATED AND SHOULD NOT BE USED WITHOUT WRITTEN PERMISSION								

10 9 8 7 6 5 4 3 2 1



(仕上がり厚さ 0.3^{+0.03})
THICKNESS
適合 FPC/FFC 推奨寸法
APPLICABLE FPC/FFC
RECOMMENDED DIMENSION.



コネクタ位置
CONNECTOR
POSITION

参考基板レイアウト (マウント面)
RECOMMENDED P.C. BOARD
PATTERN DIMENSION. (REF.)
(MOUNTING AREA)

FPC/FFCについて:

打抜き方向は導体側から補強板側を推奨いたします。

ABOUT FPC/FFC

RECOMMENDED PUNCHER DIRECTION : FROM CONDUCTOR SIDE TO STIFFENER FILM SIDE.

FPCについて:

補強フィルム材質はポリイミドを推奨します。
接着剤は熱硬化接着剤を推奨します。

ABOUT FPC

RECOMMENDED MATERIAL :
STIFFENER FILM : POLYIMIDE
BONDING AGENT : THERMOSETTING BONDING AGENT

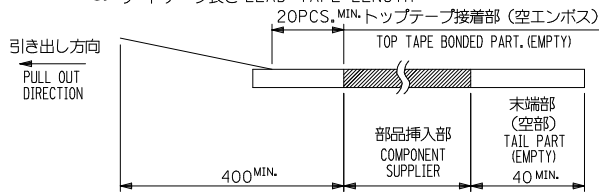
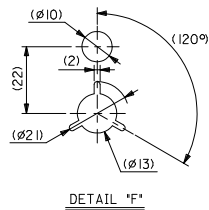
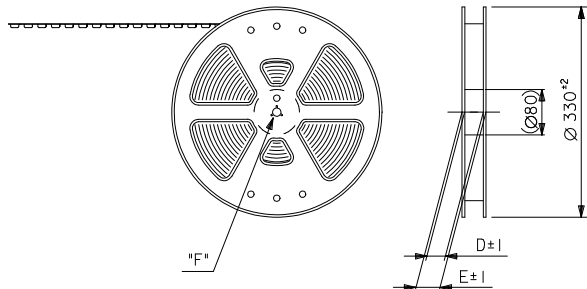
MODEL NO. 52852-***19

REVISED EC NO: J2005-1451 DRAWN BY: DR/NAKADA CHKD BY: CH/KIKUCHI APPR: NIKITA DATE: 2004/11/16 2004/11/17 2004/11/26	GENERAL TOLERANCES (UNLESS SPECIFIED)		DIMENSION STYLE MM ONLY	SCALE ---	DESIGN UNITS METRIC	THIRD ANGLE PROJECTION
	10 UNDER	± 0.2	DRAWN BY M. NAGATA	DATE '04/02/27	TITLE 1.0 FFC CONN NON ZIF SMT RA (BOTTOM CONTACT) -LEAD FREE-	
	10 OVER 30 UNDER	± 0.25	CHECKED BY K. TOJO	DATE '04/02/27		
	30 OVER	± 0.3	APPROVED BY M. SASAO	DATE '04/02/27	MOLEX INCORPORATED	
ANGULAR	± 3 °	MATERIAL NO. SEE CHART	DOCUMENT NO. SD-52852-010	SHEET NO. 2 OF 2		
DRAFT WHERE APPLICABLE MUST REMAIN WITHIN DIMENSIONS		SIZE A3 THIS DRAWING CONTAINS INFORMATION THAT IS PROPRIETARY TO MOLEX INCORPORATED AND SHOULD NOT BE USED WITHOUT WRITTEN PERMISSION				

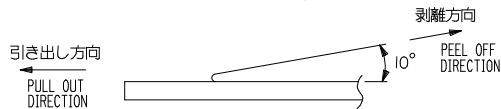
NOTES

- 製品詳細寸法は製品単体図面を参照して下さい。
FOR DETAIL OF CONNECTOR DIMENSIONS, PLEASE SEE THE DRAWING OF CONNECTOR ITSELF (NOT PACKAGED).
- 梱包数量: 1000個/リール
NUMBER OF CONNECTORS: 1000PCS/REEL
- リードテープ長さ LEAD TAPE LENGTH

引き出し方向
PULL OUT DIRECTION



- トップテープの剥離強度: 0.1~1.3N(10~130gf)
(剥離方向は下図参照)
尚、本規格値は出荷時に適用。(但し、輸送時に剥離が発生しないこと。)
PEELING OFF FORCE OF TOP TAPE: 0.1~1.3N(10~130gf)
(PEELING DIRECTION AS SHOWN IN FOLLOWING FIG.)
THIS REQUIREMENT SHOULD BE APPLIED AT SHIPMENT.
PEEL OFF SHOULD NOT BE ALLOWED, DURING TRANSPORTATION.

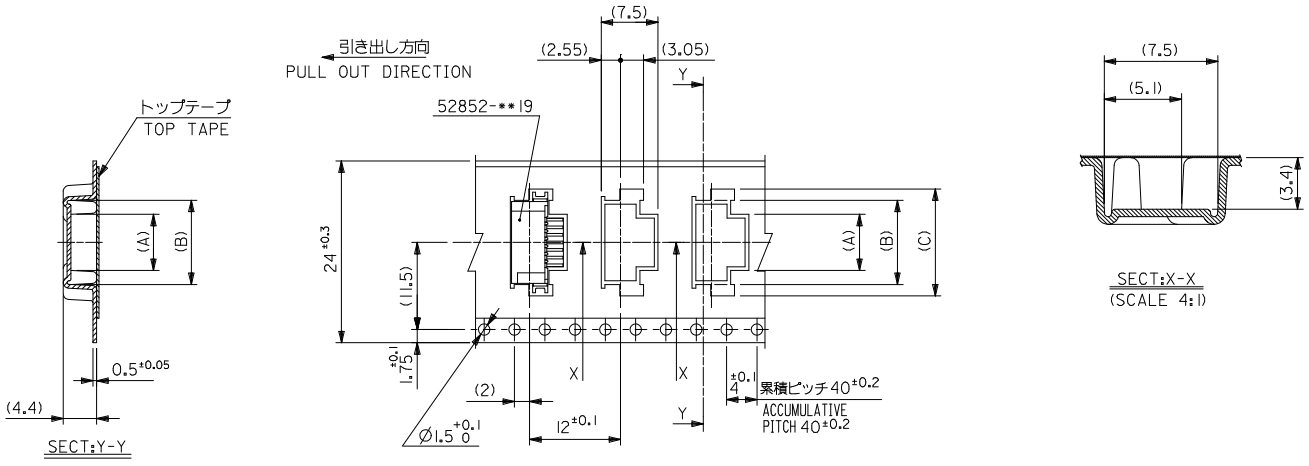


- 材料 (MATERIAL)
キャリアテープ (CARRIER TAPE): ポリプロピレン (POLYPROPYLENE)
トップテープ (TOP TAPE): PET, PE, PEF
リール (REEL): ポリスチレン (PS) <リサイクル材を含む>
POLYSTYRENE (PS) <RECYCLE MATERIAL CONTAINED>

- 本製品は 52852-**-90 の鉛フリー品である。
THIS PRODUCT IS LEAD FREE OF 52852-**-90

MODEL NO. 52852-**-70

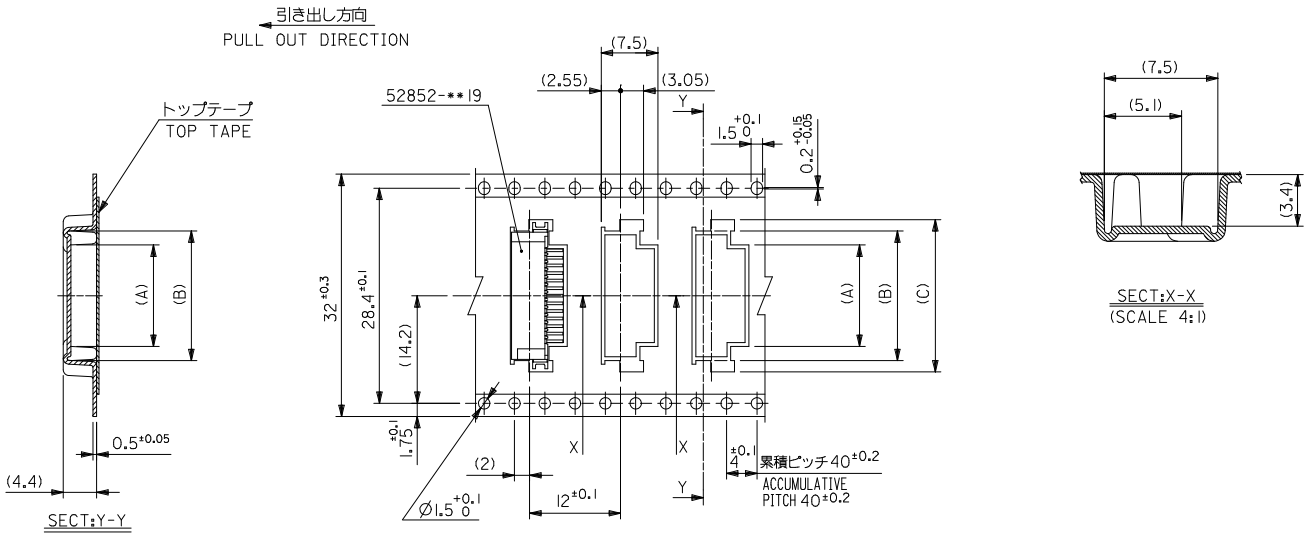
REVISED EC NO.: J2008-1818 DRAWN BY: CHYOKI SOGAYA APPROVED BY: APPRNKJTA	DESCRIPTION 2007/11/12 2007/11/13 2007/11/26	GENERAL TOLERANCES (UNLESS SPECIFIED)		DIMENSION STYLE MM ONLY		SCALE ---	DESIGN UNITS METRIC	THIRD ANGLE PROJECTION	
		10 UNDER	±0.2	DRAWN BY M. NAGATA	DATE '04/02/27	TITLE 1.0 FPC CONN NON ZIF SMT RA BOTTOM CONTACT EMBSTP -LEAD FREE-			
		10 OVER 30 UNDER	±0.25	CHECKED BY K. TOJO	DATE '04/02/27	MOLEX INCORPORATED			
		30 OVER	±0.3	APPROVED BY M. SASAO	DATE '04/02/27	MATERIAL NO. SEE TABLE			
A	REV	ANGULAR	±3 °	DRAFT WHERE APPLICABLE MUST REMAIN WITHIN DIMENSIONS		DOCUMENT NO. SD-52852-011		SHEET NO. 1 OF 5	
THIS DRAWING CONTAINS INFORMATION THAT IS PROPRIETARY TO MOLEX INCORPORATED AND SHOULD NOT BE USED WITHOUT WRITTEN PERMISSION									



24mm幅キャリアテープ
24mm WIDTH CARRIER TAPE

24	29.4	25.4	18.1	15.1	11.4	52852-1170	11
			17.1	14.1	10.4	52852-1070	10
			16.1	13.1	9.4	52852-0970	9
			15.1	12.1	8.4	52852-0870	8
			14.1	11.1	7.4	52852-0770	7
			13.1	10.1	6.4	52852-0670	6
			12.1	9.1	5.4	52852-0570	5
			11.1	8.1	4.4	52852-0470	4
キャリアテープ幅 CARRIER TAPE WIDTH	E	D	(C)	(B)	(A)	MATERIAL NO.	極数 CKT.

REVISED EC NO.: J2008-1818 DRAWN BY: CHYOMI ISOGAWA CHECKED BY: APPRANKITA DATE: 2007/11/12	DESCRIPTION	GENERAL TOLERANCES (UNLESS SPECIFIED)	DIMENSION STYLE MM ONLY	SCALE ---	DESIGN UNITS METRIC	MODEL NO.1 52852-***70	
	10 UNDER	± 0.2	DRAWN BY M. NAGATA	DATE '04/02/27	TITLE 1.0 FPC CONN NON ZIF SMT RA BOTTOM CONTACT EMBSTP -LEAD FREE-	MOLEX INCORPORATED	
	10 OVER 30 UNDER	± 0.25	CHECKED BY K. TOJO	DATE '04/02/27			
	30 OVER	± 0.3	APPROVED BY M. SASAO	DATE '04/02/27	MATERIAL NO. SEE TABLE	DOCUMENT NO. SD-52852-011	SHEET NO. 2 OF 5
	ANGULAR	±3 °	DRAFT WHERE APPLICABLE MUST REMAIN WITHIN DIMENSIONS	SIZE A3	THIS DRAWING CONTAINS INFORMATION THAT IS PROPRIETARY TO MOLEX INCORPORATED AND SHOULD NOT BE USED WITHOUT WRITTEN PERMISSION		

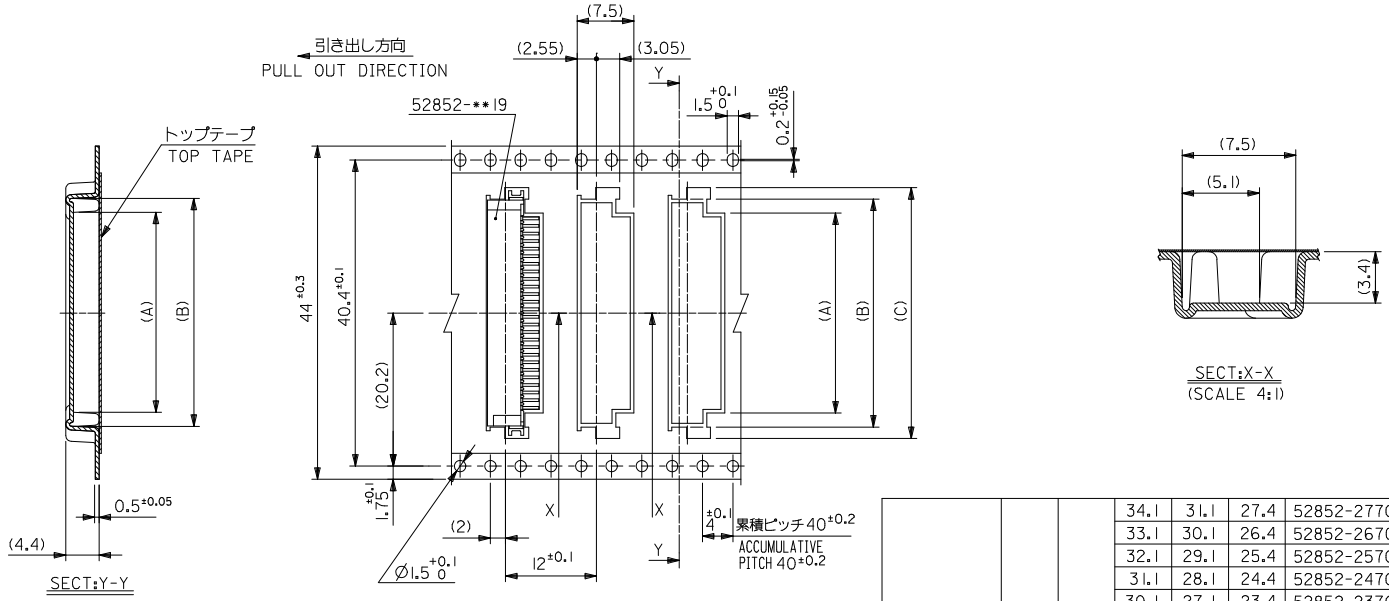


32mm幅キャリアテープ
32mm WIDTH CARRIER TAPE

32	37.5	33.5	23.1	20.1	16.4	52852-1670	16
			22.1	19.1	15.4	52852-1570	15
			21.1	18.1	14.4	52852-1470	14
			20.1	17.1	13.4	52852-1370	13
			19.1	16.1	12.4	52852-1270	12
キャリアテープ幅 CARRIER TAPE WIDTH	E	D	(C)	(B)	(A)	MATERIAL NO.	種数 CKT.

MODEL NO. 52852-***70
SCALE ---
DESIGN UNITS METRIC
THIRD ANGLE PROJECTION

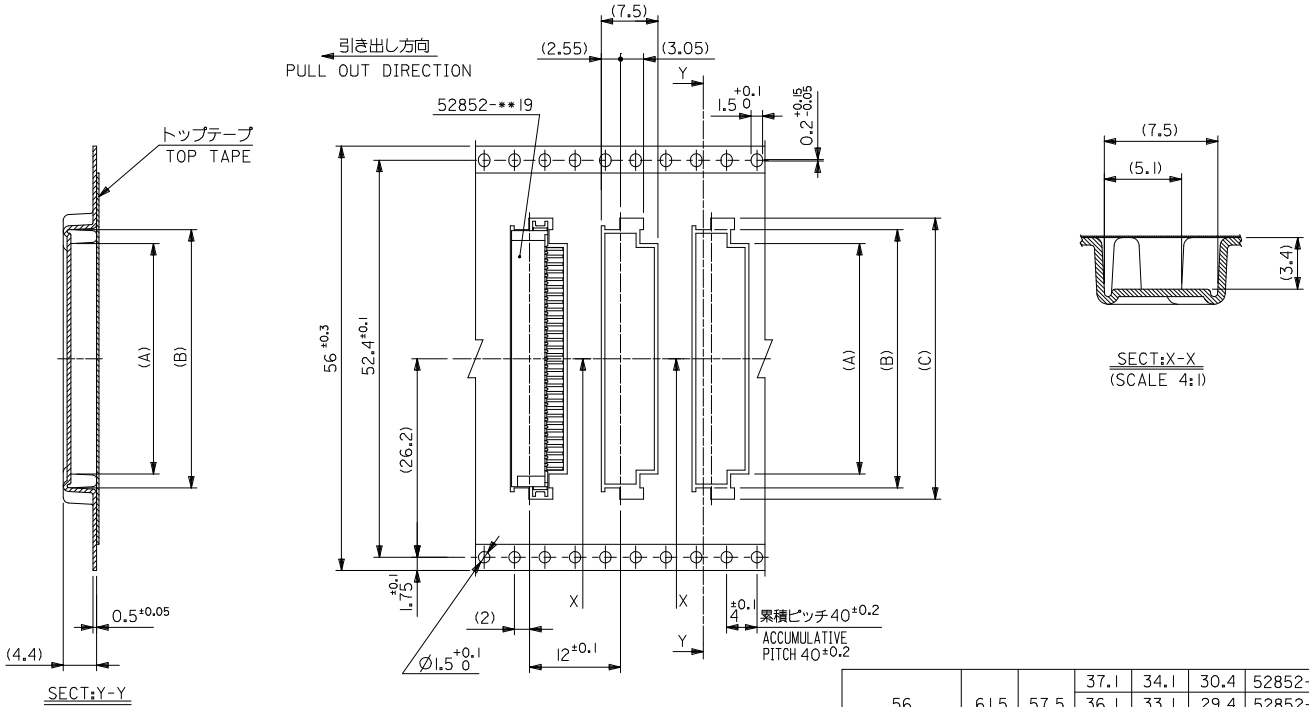
REVISED EC NO.: J2008-1818 DRAWN BY: CHYKUMI ISOGAWA CHECKED BY: APPRANKI ITO DATE: 2007/11/12 DATE: 2007/11/13 DATE: 2007/11/26	DESCRIPTION	GENERAL TOLERANCES (UNLESS SPECIFIED)	DIMENSION STYLE MM ONLY	SCALE ---	DESIGN UNITS METRIC	THIRD ANGLE PROJECTION
	10 UNDER	± 0.2	DRAWN BY M. NAGATA	DATE '04/02/27	TITLE 1.0 FPC CONN NON ZIF SMT RA BOTTOM CONTACT EMBSTP -LEAD FREE-	
	10 OVER 30 UNDER	± 0.25	CHECKED BY K. TOJO	DATE '04/02/27	MOLEX INCORPORATED	
	30 OVER	± 0.3	APPROVED BY M. SASAO	DATE '04/02/27	DOCUMENT NO. SD-52852-011	SHEET NO. 3 OF 5
	ANGULAR	± 3 °	MATERIAL NO. SEE TABLE	THIS DRAWING CONTAINS INFORMATION THAT IS PROPRIETARY TO MOLEX INCORPORATED AND SHOULD NOT BE USED WITHOUT WRITTEN PERMISSION		
A	REV	DRAFT WHERE APPLICABLE MUST REMAIN WITHIN DIMENSIONS	SIZE A3			



44mm幅キャリアテープ
44mm WIDTH CARRIER TAPE

44	49.5	45.5	34.1	31.1	27.4	52852-2770	27
			33.1	30.1	26.4	52852-2670	26
			32.1	29.1	25.4	52852-2570	25
			31.1	28.1	24.4	52852-2470	24
			30.1	27.1	23.4	52852-2370	23
			29.1	26.1	22.4	52852-2270	22
			28.1	25.1	21.4	52852-2170	21
			27.1	24.1	20.4	52852-2070	20
			26.1	23.1	19.4	52852-1970	19
			25.1	22.1	18.4	52852-1870	18
24.1	21.1	17.4	52852-1770	17			
キャリアテープ幅 CARRIER TAPE WIDTH	E	D	(C)	(B)	(A)	MATERIAL NO.	極数 CKT.

REVISED EC NO.: J2008-1818 DRAWN BY: CHYKUM ITOGAWA CHECKED BY: APPR: NUKITA 2007/11/12 2007/11/13 2007/11/26 DESCRIPTION A REV	GENERAL TOLERANCES (UNLESS SPECIFIED)		DIMENSION STYLE MM ONLY		SCALE ---	MODEL NO. 52852-***70
	10 UNDER ± 0.2		DRAWN BY M. NAGATA		DESIGN UNITS METRIC	TITLE 1.0 FPC CONN NON ZIF SMT RA BOTTOM CONTACT EMBSTP -LEAD FREE- MOLEX INCORPORATED
	10 OVER 30 UNDER ± 0.25		DATE '04/02/27		THIRD ANGLE PROJECTION	
	30 OVER ± 0.3		CHECKED BY K. TOJO		DATE '04/02/27	DOCUMENT NO. SD-52852-011 SHEET NO. 4 OF 5
	ANGULAR ± 3 °		APPROVED BY M. SASAO		DATE '04/02/27	
DRAFT WHERE APPLICABLE MUST REMAIN WITHIN DIMENSIONS		MATERIAL NO. SEE TABLE		THIS DRAWING CONTAINS INFORMATION THAT IS PROPRIETARY TO MOLEX INCORPORATED AND SHOULD NOT BE USED WITHOUT WRITTEN PERMISSION		



56mm幅キャリアテープ
56mm WIDTH CARRIER TAPE

56	61.5	57.5	37.1	34.1	30.4	52852-3070	30
			36.1	33.1	29.4	52852-2970	29
			35.1	32.1	28.4	52852-2870	28
キャリアテープ幅 CARRIER TAPE WIDTH	E	D	(C)	(B)	(A)	MATERIAL NO.	種数 CKT.

MODEL NO. 52852-***70
SCALE ---
DESIGN UNITS METRIC
THIRD ANGLE PROJECTION

REVISED EC NO.: J2008-1818 DRAWN BY: CHIKUMI SOGAYA CHECKED BY: CHIKUMI SOGAYA APPROVED BY: APPRANKIITA A	DESCRIPTION	GENERAL TOLERANCES (UNLESS SPECIFIED)	DIMENSION STYLE MM ONLY	SCALE ---	DESIGN UNITS METRIC	THIRD ANGLE PROJECTION	
	10 UNDER	± 0.2	DRAWN BY M. NAGATA	DATE '04/02/27	TITLE 1.0 FPC CONN. N-ZIF R/A RA BOTTOM CONTACT EMBSTP -LEAD FREE-		
	10 OVER 30 UNDER	± 0.25	CHECKED BY K. TOJO	DATE '04/02/27	MOLEX INCORPORATED		
	30 OVER	± 0.3	APPROVED BY M. SASAO	DATE '04/02/27	DOCUMENT NO. SD-52852-011	SHEET NO. 5 OF 5	
	ANGULAR	± 3 °	MATERIAL NO. SEE TABLE	THIS DRAWING CONTAINS INFORMATION THAT IS PROPRIETARY TO MOLEX INCORPORATED AND SHOULD NOT BE USED WITHOUT WRITTEN PERMISSION			
		DRAFT WHERE APPLICABLE MUST REMAIN WITHIN DIMENSIONS	SIZE A3				