

Excellent Integrated System Limited

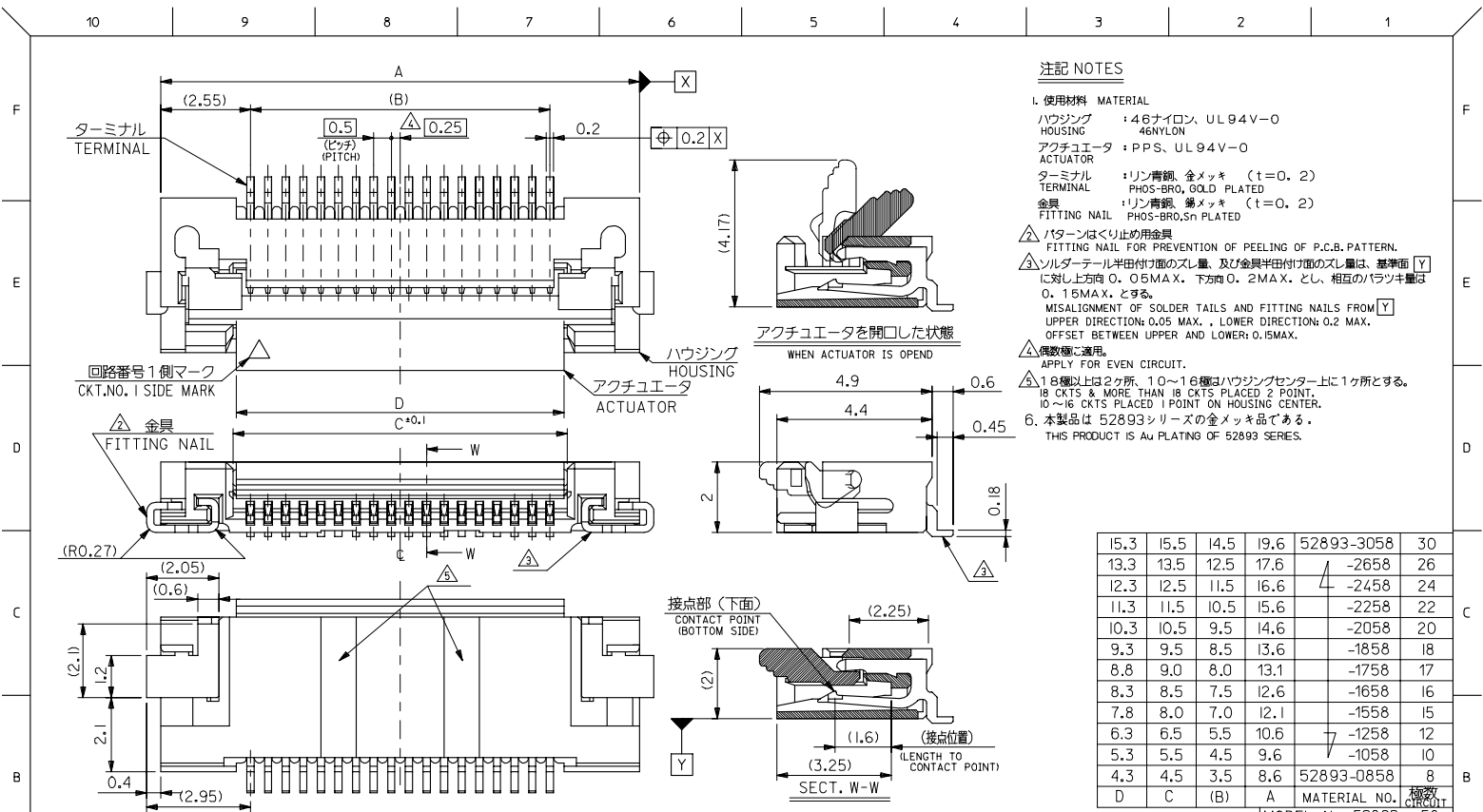
Stocking Distributor

Click to view price, real time Inventory, Delivery & Lifecycle Information:

[Molex Connector Corporation](#)
[0528933096](#)

For any questions, you can email us directly:

sales@integrated-circuit.com



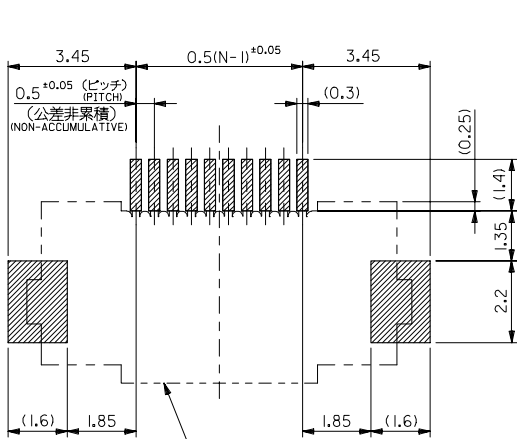
注記 NOTES

1. 使用材料 MATERIAL
 ハウジング : 46ナイロン, UL94V-0
 HOUSING : 46NYLON
 アクチュエータ : PPS, UL94V-0
 ACTUATOR
 ターミナル : リン青銅, 金メッキ (t=0.2)
 TERMINAL : PHOS-BRO, GOLD PLATED
 金具 : リン青銅, 鍍メッキ (t=0.2)
 FITTING NAIL : PHOS-BRO, Sn PLATED
- △ パターンはくり止め用金具
 FITTING NAIL FOR PREVENTION OF PEELING OF P.C.B. PATTERN.
- △ ソルダータール半田付け面のズレ量, 及び金具半田付け面のズレ量は、基準面 Y に対し上方向 0.05MAX., 下方向 0.2MAX. とし、相互のバラつき量は 0.15MAX. とする。
 MISALIGNMENT OF SOLDER TAILS AND FITTING NAILS FROM Y
 UPPER DIRECTION: 0.05 MAX., LOWER DIRECTION: 0.2 MAX.
 OFFSET BETWEEN UPPER AND LOWER: 0.15MAX.
- △ 偶数極に適用。
 APPLY FOR EVEN CIRCUIT.
- △ 18極以上は2ヶ所, 10~16極はハウジングセンター上に1ヶ所とする。
 18 CKTS & MORE THAN 18 CKTS PLACED 2 POINT.
 10~16 CKTS PLACED 1 POINT ON HOUSING CENTER.
6. 本製品は 52893 シリーズの金メッキ品である。
 THIS PRODUCT IS Au PLATING OF 52893 SERIES.

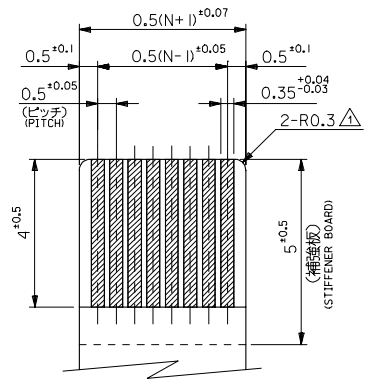
15.3	15.5	14.5	19.6	52893-3058	30
13.3	13.5	12.5	17.6	-2658	26
12.3	12.5	11.5	16.6	-2458	24
11.3	11.5	10.5	15.6	-2258	22
10.3	10.5	9.5	14.6	-2058	20
9.3	9.5	8.5	13.6	-1858	18
8.8	9.0	8.0	13.1	-1758	17
8.3	8.5	7.5	12.6	-1658	16
7.8	8.0	7.0	12.1	-1558	15
6.3	6.5	5.5	10.6	-1258	12
5.3	5.5	4.5	9.6	-1058	10
4.3	4.5	3.5	8.6	52893-0858	8
D	C	(B)	A	MATERIAL NO.	極数

REVISED EC NO.: J2006-1389 DRAWN: MABEI 2005/10/31 CHKD: K. TOYODA 2005/11/01 APPR: N. UKITA 2005/11/04	GENERAL TOLERANCES (UNLESS SPECIFIED)		DIMENSION STYLE MM ONLY	SCALE ---	DESIGN UNITS METRIC	THIRD ANGLE PROJECTION
	10 UNDER	±0.2	DRAWN BY M. NABEI	DATE '05/06/07	TITLE 0.5 FPC CONN ZIF E0 HSG ASSY BTM CONT -LEAD FREE-	
	10 OVER 30 UNDER	±0.25	CHECKED BY K. TOYODA	DATE '05/06/07	MATERIAL NO. SEE CHART	
	30 OVER	±0.3	APPROVED BY N. UKITA	DATE '05/06/07	DOCUMENT NO. SD-52893-044	
REV	DESCRIPTION	ANGULAR ±3°	DRAFT WHERE APPLICABLE MUST REMAIN WITHIN DIMENSIONS		SHEET NO. 1 OF 2	

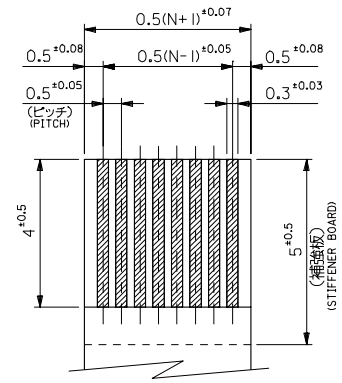
10 9 8 7 6 5 4 3 2 1



コネクタ位置
CONNECTOR POSITION
参考基板レイアウト
P.C. BOARD PATTERN
DIMENSION (REF.)
(マウント面)
(MOUNTING SIDE)



適合FPC推奨寸法
APPLICABLE FPC
RECOMMENDED DIMENSION
(仕上がり厚さ: 0.3^{+0.03})
(THICKNESS: 0.3^{+0.03})



適合FFC推奨寸法
APPLICABLE FFC
RECOMMENDED DIMENSION
(仕上がり厚さ: 0.3^{+0.03})
(THICKNESS: 0.3^{+0.03})

FPCについて:

打抜き方向は、導体側から補強板側を推奨いたします。
補強フィルム材質は、ポリイミドを推奨いたします。
接着剤は、熱硬化接着剤を推奨いたします。

ABOUT FPC:
RECOMMENDED PUNCHER DIRECTION: FROM CONDUCTOR SIDE TO STIFFENER BOARD SIDE.

RECOMMENDED MATERIAL:
STIFFENER FILM: POLYIMIDE
BONDING AGENT: THERMOSETTING BONDING AGENT

注記 NOTES

△ R0.3は、FPCの導体側にかからないこと。
R0.3 MUST NOT BE OVERLAPPED TO PATTERN OF FPC.

REVISED EC NO.: J2006-1389 DRAWN: M. NABE CHKD: K. TOYODA APP: N. UKITA	DESCRIPTION 2005/10/31 2005/11/01 2005/11/04	GENERAL TOLERANCES (UNLESS SPECIFIED)		DIMENSION STYLE	SCALE	52893-**-58	MODEL NO.
				MM ONLY	---	DESIGN UNITS	THIRD ANGLE PROJECTION
		10 UNDER	±0.2	DRAWN BY	DATE	TITLE	
		10 OVER 30 UNDER	±0.25	M. NABE I	'05/06/07	0.5 FPC CONN ZIF E0 HSG ASSY BTM CONT -LEAD FREE-	
30 OVER	±0.3	CHECKED BY	DATE				
ANGULAR	±3 °	APPROVED BY	DATE				
DRAFT WHERE APPLICABLE MUST REMAIN WITHIN DIMENSIONS		N. UKITA	'05/06/07				
		MATERIAL NO.	DOCUMENT NO.	MOLEX INCORPORATED			
		SEE CHART	SD-52893-044				
		THIS DRAWING CONTAINS INFORMATION THAT IS PROPRIETARY TO MOLEX INCORPORATED AND SHOULD NOT BE USED WITHOUT WRITTEN PERMISSION					SHEET NO. 2 OF 2

10 9 8 7 6 5 4 3 2 1

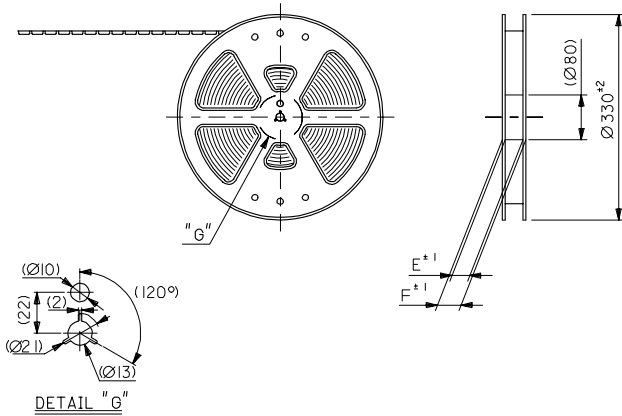
F
E
D
C
B
A

F
E
D
C
B
A

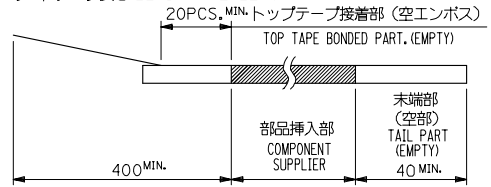
注記 NOTES

- 製品詳細寸法については図面 SD-52893-044 を参照下さい。
RE DETAILED DIMENSION, SEE SD-52893-044
- 梱包数量: 1000個/リール
NUMBER OF CONNECTORS: 1000PCS/REEL
- リードテープ長さ LEAD TAPE LENGTH

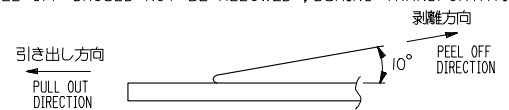
引き出し方向
←
PULL OUT DIRECTION



引き出し方向
←
PULL OUT DIRECTION



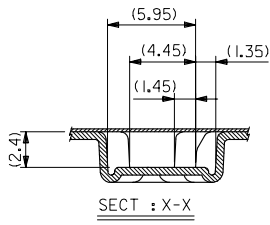
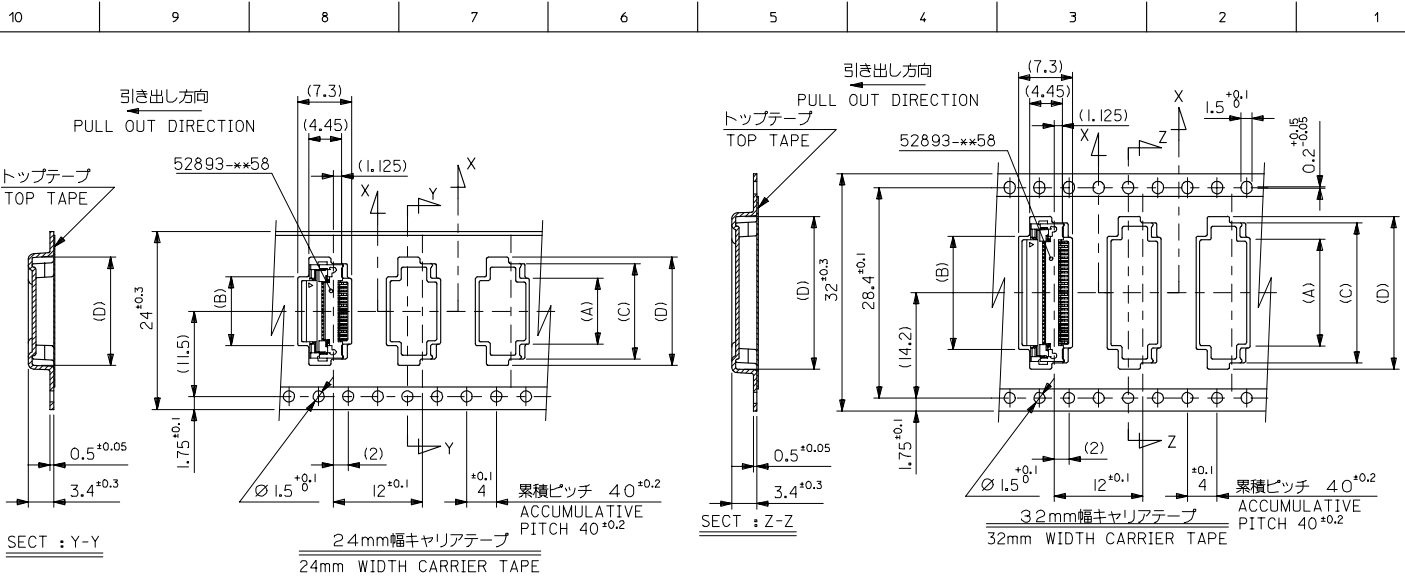
- トップテープの剥離強度: 0.1 ~ 1.3N (10 ~ 130gf)
(剥離方向は下図参照)
尚、本規格値は出荷時に適用。(但し、輸送時に剥離が発生しないこと。)
PEELING OFF FORCE OF TOP TAPE: 0.1 ~ 1.3N (10 ~ 130gf)
(PEELING DIRECTION AS SHOWN IN FOLLOWING FIG.)
THIS REQUIREMENT SHOULD BE APPLIED AT SHIPMENT.
PEEL OFF SHOULD NOT BE ALLOWED, DURING TRANSPORTATION.



- 材料 (MATERIAL)
キャリアテープ (CARRIER TAPE): ポリプロピレン (POLYPROPYLENE)
トップテープ (TOP TAPE): PET, PE, PEF
リール (REEL): ポリスチレン (PS) <リサイクル材を含む>
POLYSTYRENE (PS) <RECYCLE MATERIAL CONTAINED>
- 本製品は 52893シリーズの金メッキ品である。
THIS PRODUCT IS Au PLATING OF 52893 SERIES.

REVISED		EC NO: J2006-1389		2005/10/31		2005/11/01		2005/11/04		52893-**96		MODEL NO.	
DRAWN		M.NABE I		DATE		TITLE		SCALE		DESIGN UNITS		THIRD ANGLE PROJECTION	
CHECKED		K.TOYODA		DATE		EMBSTP PKG FOR		---		METRIC		0.5 FPC CONN ZIF EO	
APPROVED		N.UKITA		DATE		-LEAD FREE-		---		MOLEX		MOLEX INCORPORATED	
MATERIAL NO.		SEE CHART		DOCUMENT NO.		SD-52893-045		SHEET NO.		1 OF 2		EN-02JA(021)	
SIZE		A3		THIS DRAWING CONTAINS INFORMATION THAT IS PROPRIETARY TO MOLEX INCORPORATED AND SHOULD NOT BE USED WITHOUT WRITTEN PERMISSION									

9 8 7 6 5 4 3 2 1



32	37.4	33.4	21.6	19.9	16.1	15.9	52893-3096	30
			19.6	17.9	14.1	13.9	-2696	26
			18.6	16.9	13.1	12.9	-2496	24
24	29.4	25.4	17.6	15.9	12.1	11.9	-2296	22
			16.6	14.9	11.1	10.9	-2096	20
			15.6	13.9	10.1	9.9	-1896	18
			15.1	13.4	9.6	9.4	-1796	17
			14.6	12.9	9.1	8.9	-1696	16
			14.1	12.4	8.6	8.4	-1596	15
			12.6	10.9	7.1	6.9	-1296	12
			11.6	9.9	6.1	5.9	-1096	10
キャリアテープ幅 CARRIER TAPE WIDTH		F	E	(D)	(C)	(A)	(B)	MATERIAL NO. 種別 CIRCUIT

REVISED EC NO.: J2006-1389 DRAWN/MABEI CHKD/K.TOYODA APPEN/NUKITA	DESCRIPTION 2005/10/31 2005/11/01 2005/11/04	GENERAL TOLERANCES (UNLESS SPECIFIED)		DIMENSION STYLE MM ONLY		SCALE ---	DESIGN UNITS METRIC	MODEL NO. 52893-**-96	
		10 UNDER	±---	DRAWN BY M.NABEI	DATE '05/06/07	TITLE EMBSTP PKG FOR 0.5 FPC CONN ZIF EO -LEAD FREE-			
		10 OVER 30 UNDER	±---	CHECKED BY K.TOYODA	DATE '05/06/07	MOLEX INCORPORATED			
		30 OVER	±---	APPROVED BY N.UKITA	DATE '05/06/07				
ANGULAR ±---		DRAFT WHERE APPLICABLE MUST REMAIN WITHIN DIMENSIONS		MATERIAL NO. SEE CHART	DOCUMENT NO. SD-52893-045	SHEET NO. 2 OF 2			