

Excellent Integrated System Limited

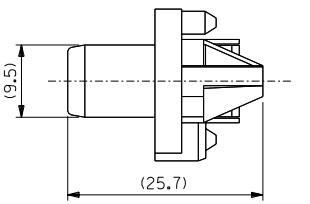
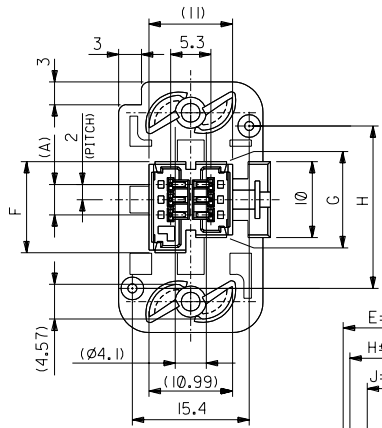
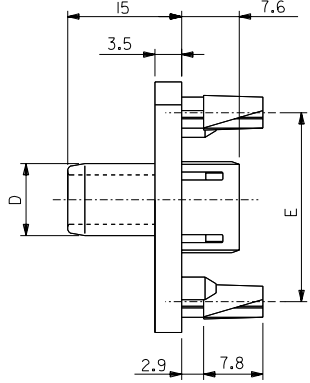
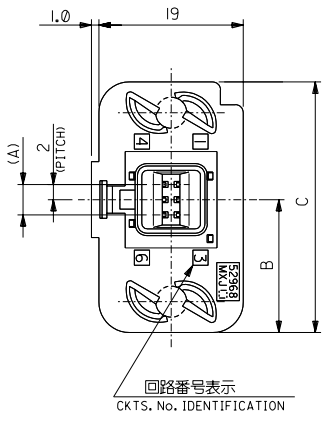
Stocking Distributor

Click to view price, real time Inventory, Delivery & Lifecycle Information:

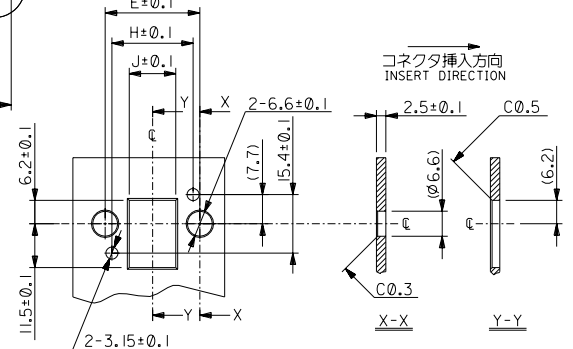
[Molex Connector Corporation](#)
[0529680619](#)

For any questions, you can email us directly:
sales@integrated-circuit.com

DWG. NO. SD-52968-008



- 注) NOTES:
1. 材質 MATERIAL
ハウジング: ポリカーボネート, UL94V-0 黒
HOUSING: POLYCARBONATE, UL94V-0, BLACK
ターミナル: りん青銅
TERMINAL: PHOSPHOR BRONZE
 2. ターミナルメッキ仕様 TERMINAL PLATING
金メッキ: 0.25µm MIN. (接点部)
GOLD: 0.25µm MIN. (CONTACT AREA)
錫メッキ: 1µm MIN. (リセプタクル嵌合部)
TIN-LEAD: 1µm MIN. (RECEPTACLE CONNECTED AREA)
ニッケルメッキ: 1µm MIN. (下地メッキ)
NICKEL: 1µm MIN. (UNDER PLATING)
 3. 適合リセプタクル: 52484-0010, 51090-0000
APPLICABLE RECEPTACLE: 52484-0010, 51090-0000
 4. 嵌合相手: 53717-0019
MATES WITH: 53717-0019
 5. 本製品は 52968-0011 の鉛フリー品である。
THIS PRODUCT IS LEAD FREE OF 52968-0011.



推奨モールドパネル加工寸法
PANEL CUT DIMENSIONS

12.3	21.4	10	12	24.9	9.5	33	17.5	4	52968-0619	52968-0019	6
J	H	G	F	E	D	C	B	(A)	MATERIAL NO.	MODEL NO.	CKT.

DO NOT SCALE DRAWING

E84NO. DRAWN: CHK'G: APPR:	E83NO. DRAWN: CHK'G: APPR:	E82NO. DRAWN: CHK'G: APPR:	E81NO. DRAWN: CHK'G: APPR:	RELEASED 04/02/13 DRAWN: M.NINOMIYA CHK'G: K.TOJO APPR: M.SASAO	MATERIAL 材料	SEE NOTE	GENERAL TOLERANCES: (UNLESS SPECIFIED) 一般公差	SCALE 2-1	DESIGN UNITS mm INCH	PROJ PROJECTION	DIMENSIONS: mm INCH mm INCH mm ONLY	SHT REV	REV REVISE ON CAD ONLY
					FINISH 仕上げ	SEE NOTE							
8	7	6	5	4	WIRE RANGE 適用電線範囲	—	10 UNDER 未満	APPROVED BY & DATE M.SASAO 04/02/13	CAD FILENAME SD-52968-008.S01	MATERIAL NO. SEE CHART	DRAWING NO. SD-52968-008	SHEET NO. 1 OF 1	SIZE B
					INS. RANGE 接覆外径	—	10 OVER 以上						

167800529680619